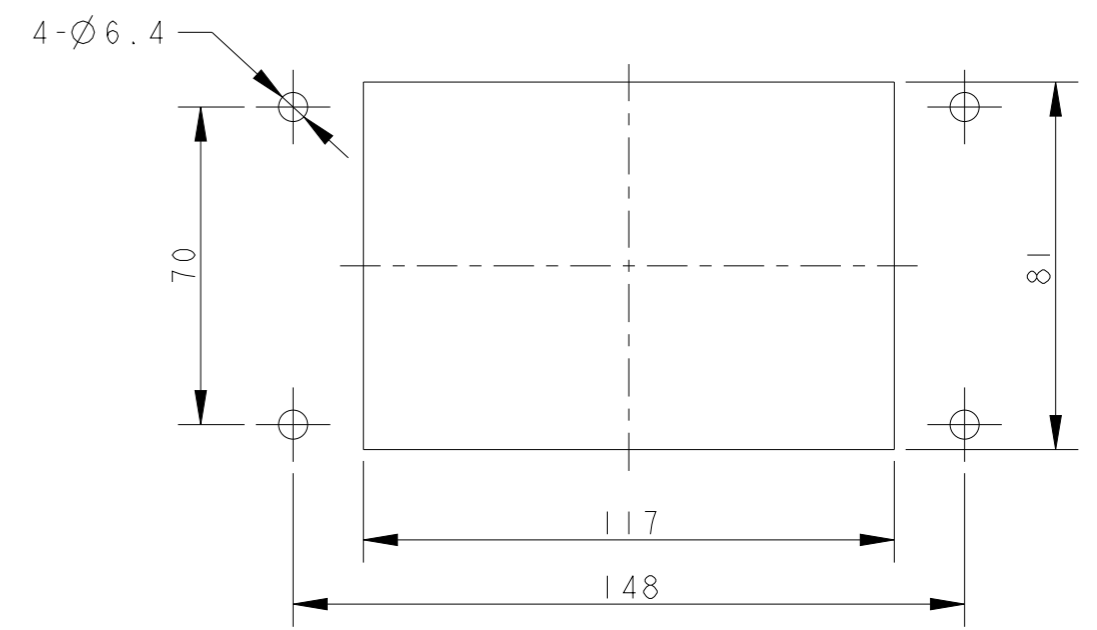
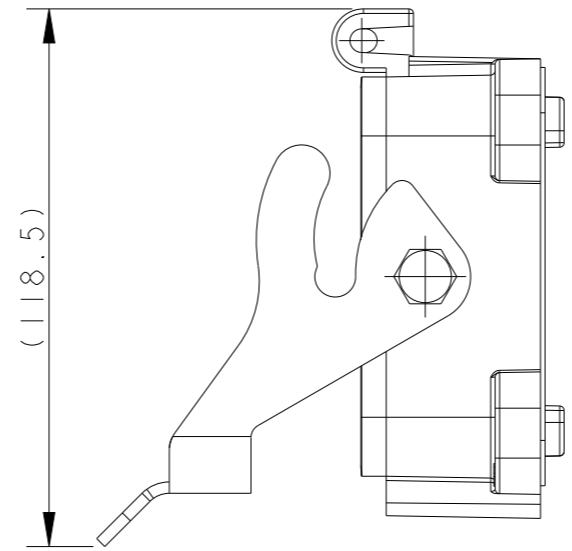
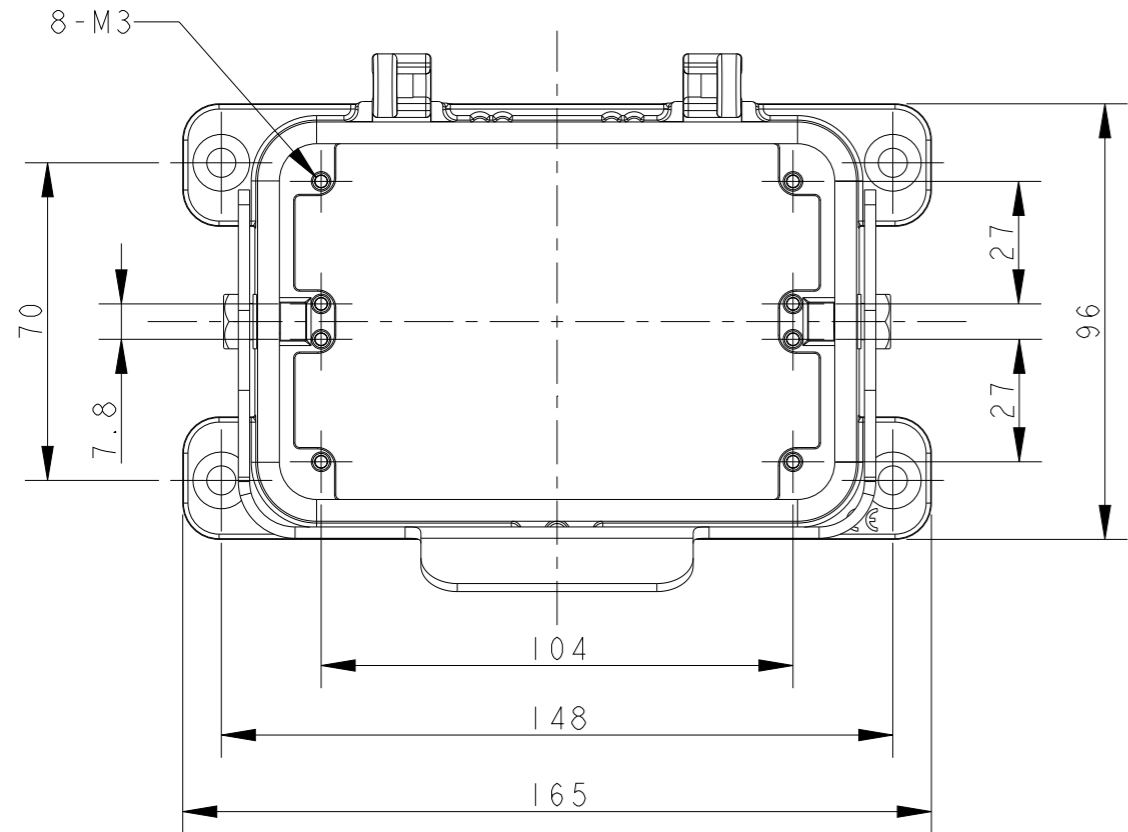
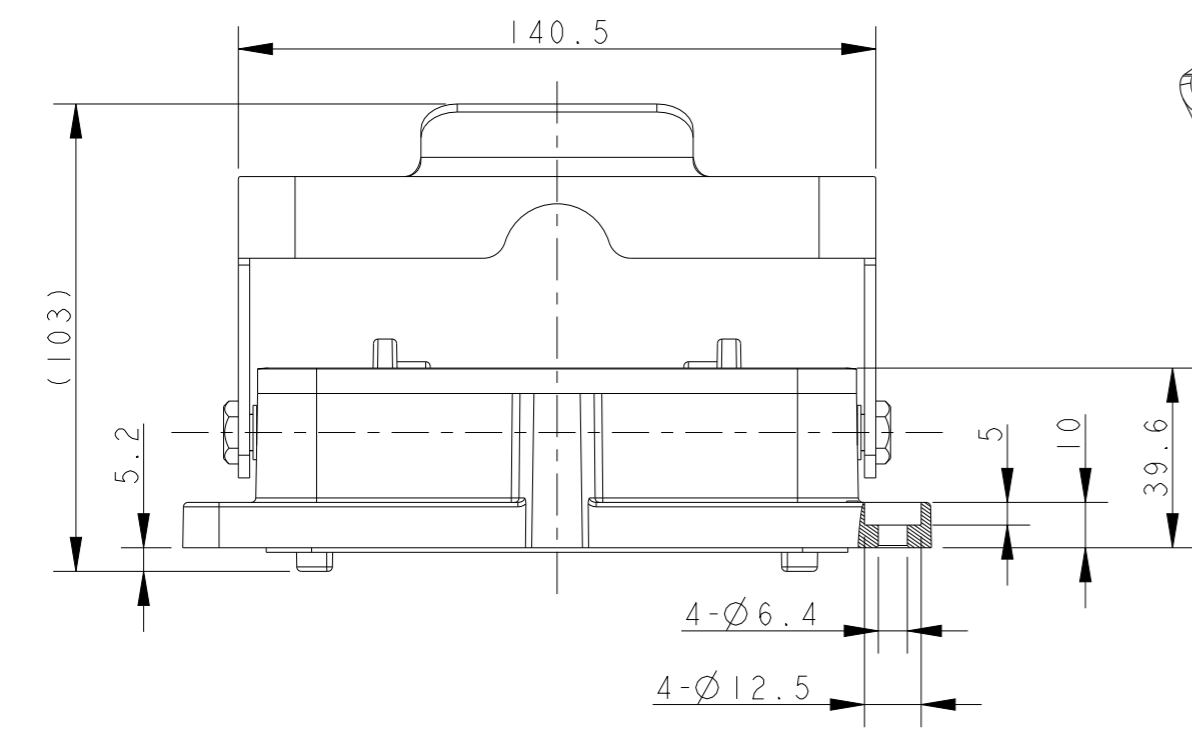
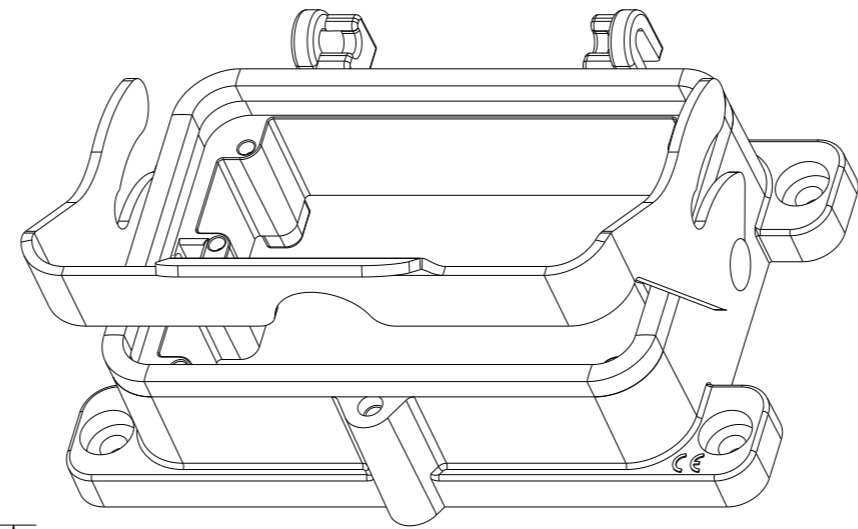


THIS DRAWING IS UNPUBLISHED. RELEASED FOR PUBLICATION 20
 © COPYRIGHT 20 BY - ALL RIGHTS RESERVED.

REVISIONS					
P	LTR	DESCRIPTION	DATE	DWN	APVD
	A	INITIAL RELEASE	08JUN2015	DL	CW
	B	ECR-21-109004	19AUG2021	WQR	CW




开孔安装示意图
PANNEL CUT OUT



NOTES:
 1. TECHNICAL CHARACTERISTICS:
 BODY MATERIAL: DIE CAST ALUMINIUM ALLOY
 SURFACE TREATMENT: POWDER-COATED, GRAY
 DEGREE OF PROTECTION: IP65 (MATED)

注释:
 1. 技术参数:
 主体材料: 铝合金
 表面处理: 粉末喷涂, 灰色
 防护等级: IP65(配合)

TI500482000-000	H48B-AG-LB
ASSEMBLY PART NUMBER	ASSEMBLY PART DESCRIPTION

THIS DRAWING IS A CONTROLLED DOCUMENT.		DWN DAVID LI 08JUN2015	 TE Connectivity			
DIMENSIONS: mm		CHK CHRIS WANG 08JUN2015				
TOLERANCES UNLESS OTHERWISE SPECIFIED:		APVD XU XIANG 08JUN2015				
0 PLC ±- 1 PLC ±- 2 PLC ±- 3 PLC ±- 4 PLC ±- ANGLES ±- FINISH -		NAME H48B-AG-LB				
MATERIAL -		PRODUCT SPEC 108-137013	SIZE A3	CAGE CODE -	DRAWING NO C-TI500482000000	RESTRICTED TO
		APPLICATION SPEC 108-137013	SCALE 3:5		SHEET 1 OF 1	REV B
		WEIGHT -	CUSTOMER DRAWING			

单击下面可查看定价，库存，交付和生命周期等信息

[>>TE Connectivity\(泰科\)](#)