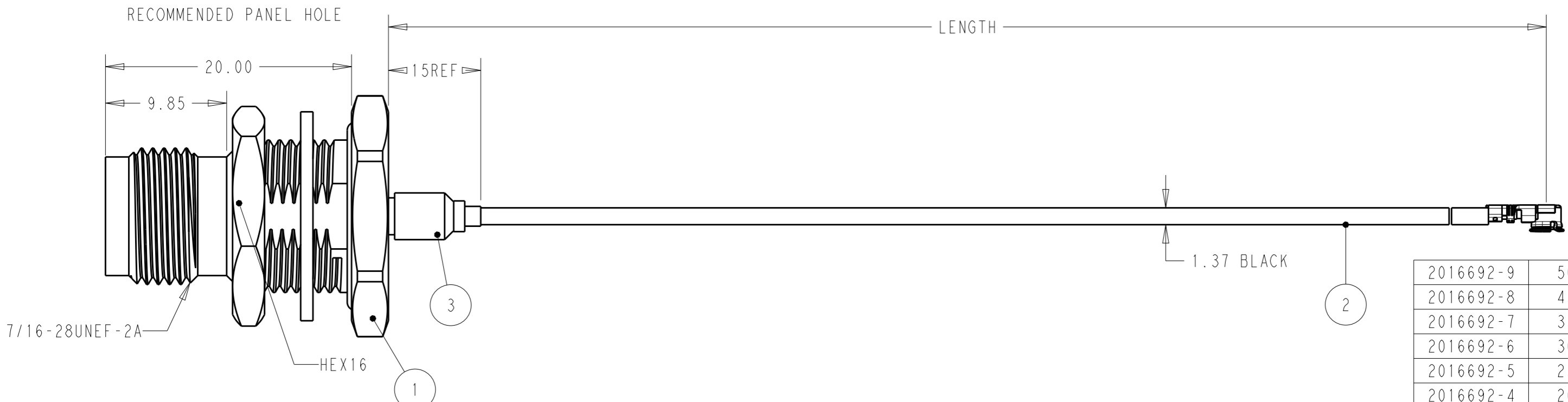
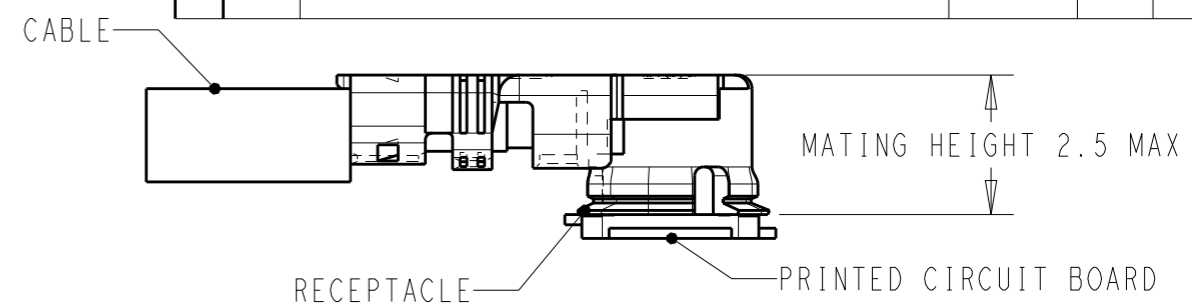
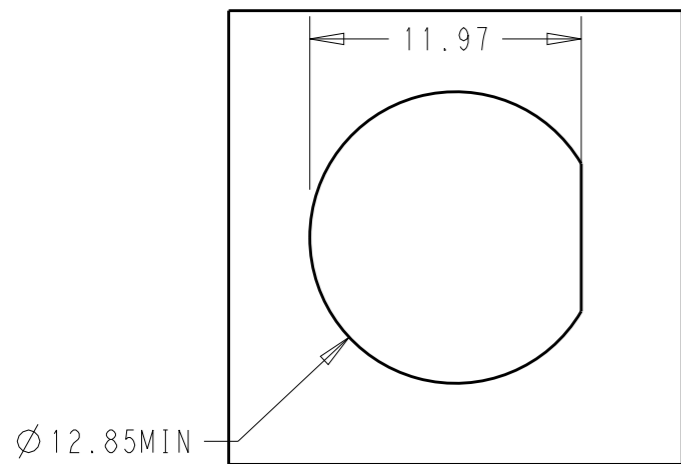


P	LTR	DESCRIPTION	DATE	DWN	APVD
	A	INITIAL CREATED	24MAR2020	CL	RS



7/16-28UNEF-2A

HEX16

- NOTES:
- MATERIAL AND PROCESSING MUST MEET REQUIREMENTS OF TEC-138-702
  - TNC BULKHEAD NEED ASSEMBLY NUT AND WASHER
  - PRODUCT RATING:  
 TEMPERATURE: -45°C TO +85°C  
 VOLTAGE: 30V (RMS)  
 CHARACTERISTIC IMPEDANCE: 50 OHMS Normal  
 FREQUENCY RANGE: DC TO 6GHz  
 BEND RADIUS: 5MM MIN
  - CABLE ASSEMBLY TO BE 100% SI TESTED  
 VSWR:  
 1.3:1 MAX @ DC~1000MHz  
 1.5:1 MAX @ 1000~4000MHz  
 2.0:1 MAX @ 4000~6000MHz  
 INSERT LOSS:  
 (2.40\*LENGTH+0.4)dB MAX @2GHz  
 LENGTH UNIT IS METER IN THE FORMULA
  - TNC INTERFACE FOLLOW IEC 60169-17  
 UMCC GEN1 CAN MATE WITH I-PEX MHF1 SERIES AND HIROSE U.FL SERIES
  - TNC CAN MEET IP67 AFTER INSTALL ON PANEL AND MATING ENVIRONMENT

2016692-9	500±5
2016692-8	450±5
2016692-7	350±5
2016692-6	300±3
2016692-5	250±3
2016692-4	200±3
2016692-3	150±3
2016692-2	100±3
2016692-1	50+3
PART NUMBER	LENGTH

PC	Q'TY	UNIT	DESCRIPTION	ITEM
	1		HEAT SHRINK TUBE	3
	0.5		RF CA,UMCC GEN1 BOTH END, WITH 1.37CABLE	2
	1		TNC BULKHEAD, FOR 1.37 CABLE	1

THIS DRAWING IS A CONTROLLED DOCUMENT.		DWN 04MAR2019 Cedar Liu		
DIMENSIONS: mm		CHK 04MAR2019 Cedar Liu		
TOLERANCES UNLESS OTHERWISE SPECIFIED:		APVD 24MAR2020 Roger Song	NAME RF CA,TNC BULKHEAD TO UMCC GEN1 WITH 1.37CABLE	
0 PLC ±-		PRODUCT SPEC	SIZE CAGE CODE DRAWING NO RESTRICTED TO	
1 PLC ±0.5		APPLICATION SPEC	A3 00779 C-2016692	
2 PLC ±0.13		WEIGHT	SCALE 1:1 SHEET 1 OF 1 REV A	
3 PLC ±0.013		CUSTOMER DRAWING		
4 PLC ±0.0001				
ANGLES ±-				
MATERIAL TBD				
FINISH -				
finish_spec_2				

单击下面可查看定价，库存，交付和生命周期等信息

[>>TE Connectivity\(泰科\)](#)