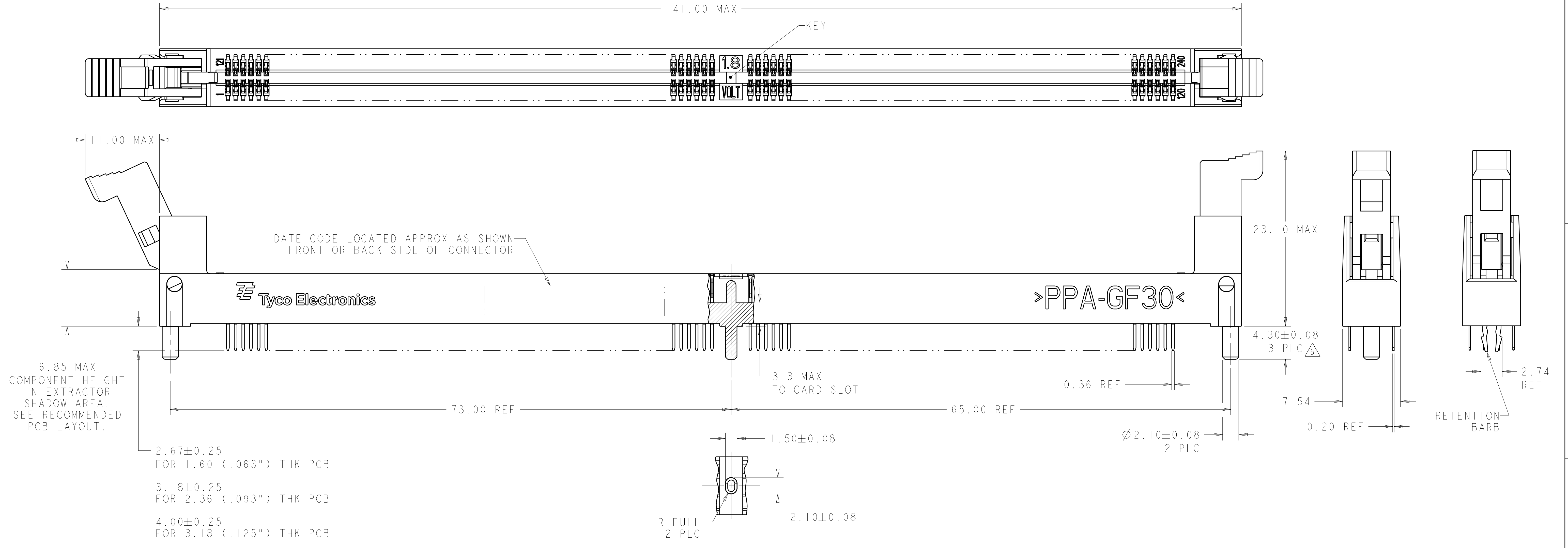
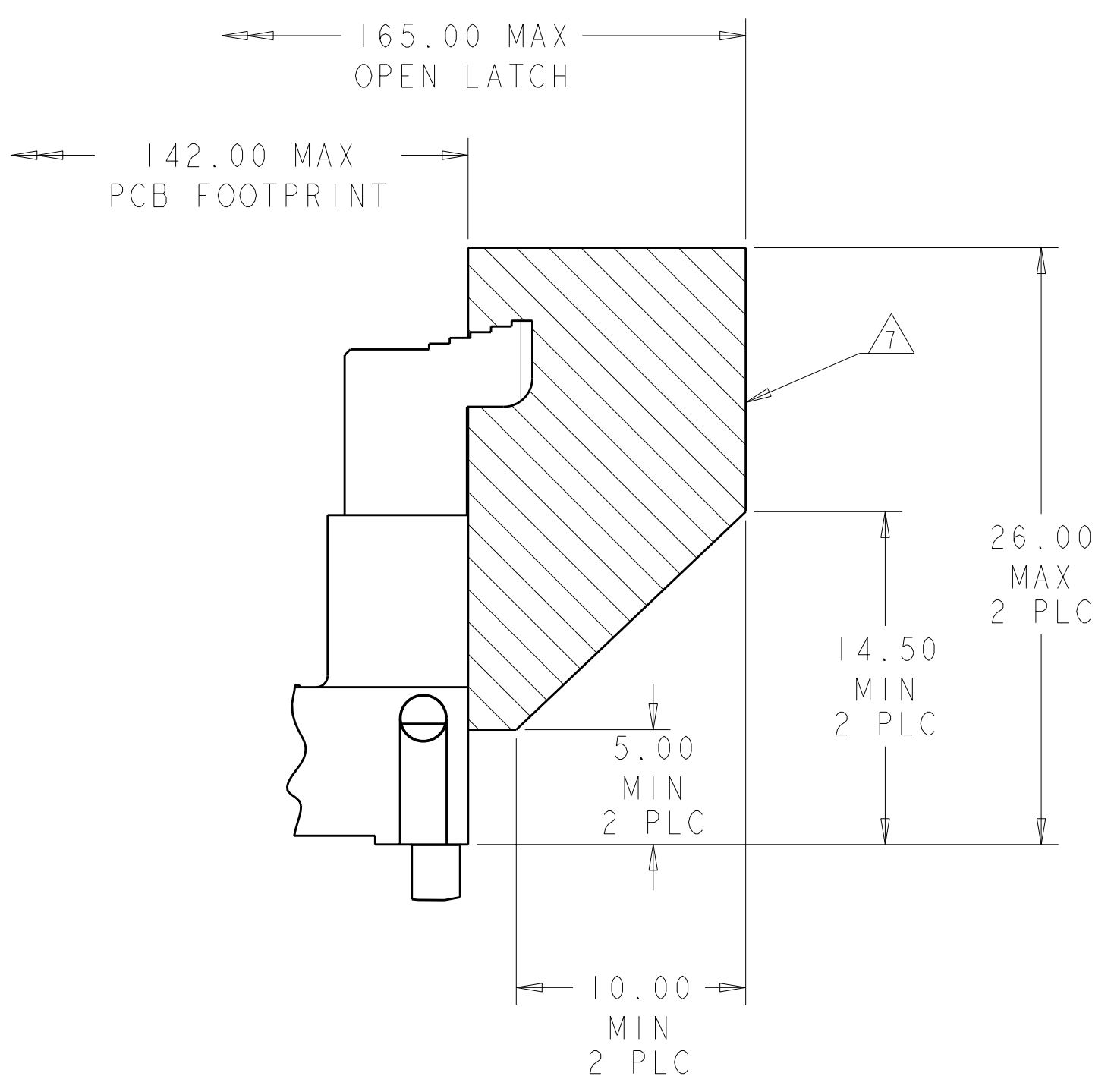


LOC	DIST	REV	DATE	BY	CHK	APPV
GP	00	B3	09MAY2011	RK	HMR	
		B4	27JUN2011	D.P	C.W	



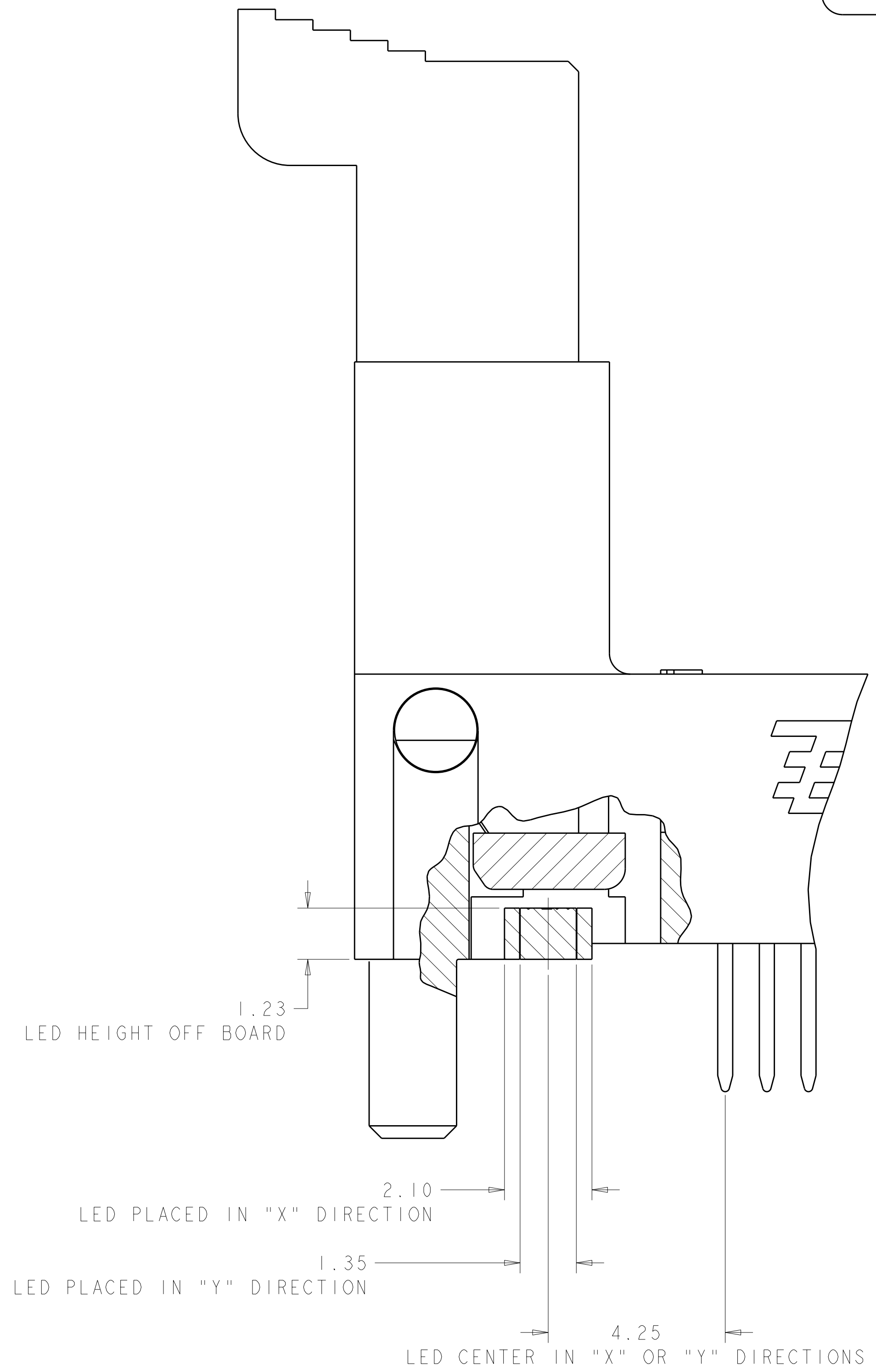
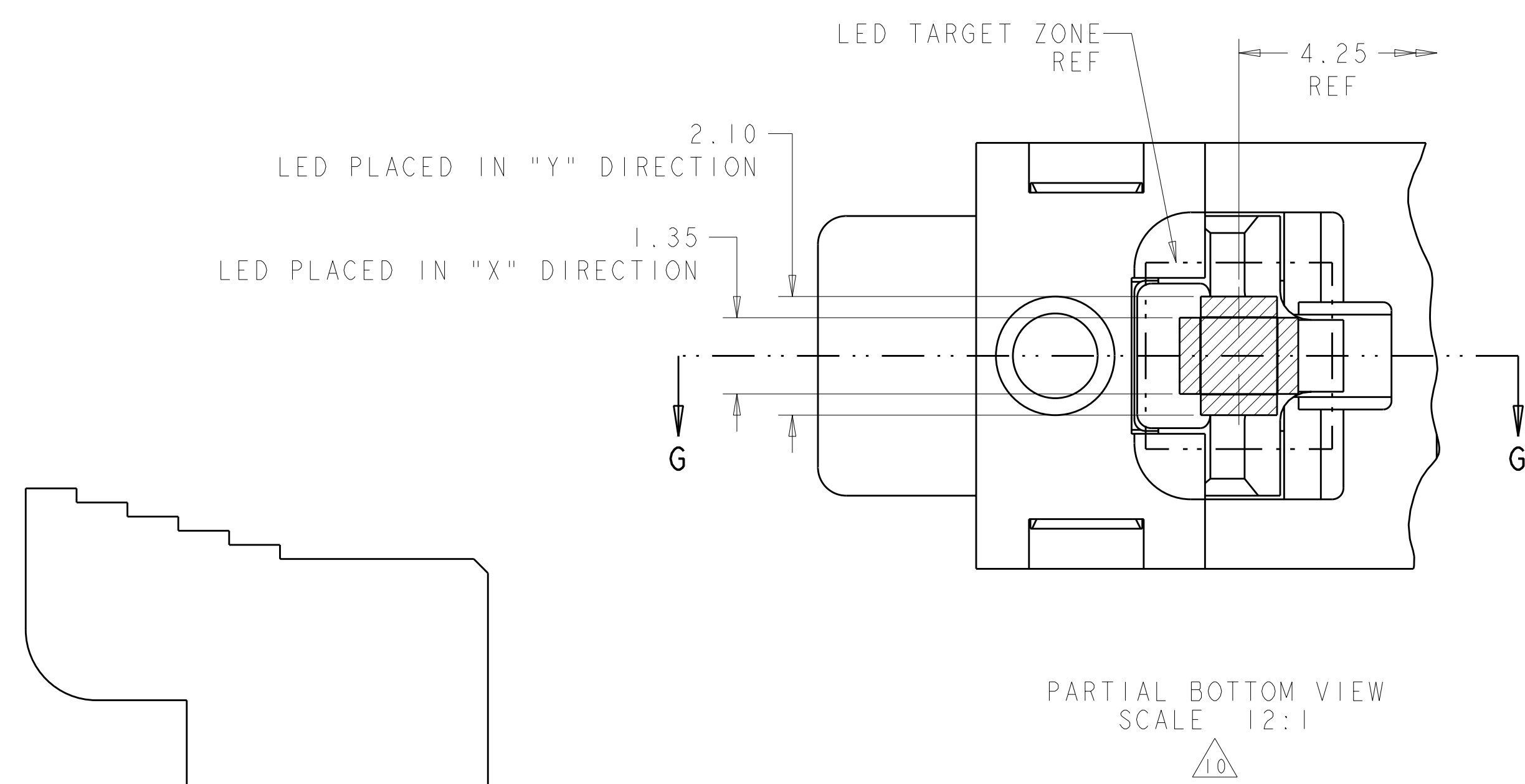
- MATERIALS:**
 HOUSING: HIGH TEMPERATURE NYLON, BLACK, UL94 V-0
 EXTRACTOR: HIGH TEMPERATURE THERMOPLASTIC
 CONTACTS: COPPER ALLOY
 RETENTION BARB: STAINLESS STEEL
- INTERFACE FINISH:**
 (1) 0.00076 MIN THK GOLD OVER 0.00127 MIN THK NICKEL
 (2) 0.00038 MIN THK GOLD OVER 0.00127 MIN THK NICKEL
 (3) 0.00008 MIN THK GOLD OVER 0.00127 MIN THK NICKEL
- RIGHT HOLE IS GLOBAL D-E ORIGIN FOR ALL POSITIONAL TOLERANCES. LEFT AND RIGHT NON-PLATED THRU HOLES ESTABLISH -E-.**
- FINISHED HOLE SIZE. 0.15 MAXIMUM ANULAR RING.**
- RETENTION BARB MAY BE SPECIFIED IN PLACE OF PEGS (3 PLC). DIMENSION INDICATED WOULD THEN BE 4.00 MAX.**
- KEEP OUT ZONE.**
- KEEP OUT AREA RESERVED FOR SOCKET EXTRACTORS, BOTH ENDS.**
- SOLDERTAIL FINISH: 0.00300 MIN THK BRIGHT TIN-LEAD OVER 0.00127 MIN. THK NICKEL.**
- SOLDERTAIL FINISH: 0.00300 MIN THK MATTE TIN OVER 0.00127 MIN. THK NICKEL.**
- LED LOCATION AS APPLICABLE PER CUSTOMER.**
- QUALIFY TO TE CONNECTIVITY DESIGN OBJECTIVES 108-2111-1.**
- QUALIFY TO TE CONNECTIVITY DESIGN OBJECTIVES 108-2111-2.**
- DATUM [-F-] IS CONNECTOR SIDE SURFACE OF PCB.**



THIS DRAWING IS A CONTROLLED DOCUMENT.		DWN: D. RINGLER 04JAN2002	TE Connectivity
DIMENSIONS: mm		CHK: M. CORRELL 04JAN2002	
TOLERANCES UNLESS OTHERWISE SPECIFIED:		APVD: M. CORRELL 20JUN2003	NAME: SOCKET ASSEMBLY, DDR II SOLDER TAIL, 240 POSITION
9 PLC ±.5 1 PLC ±0.5 3 PLC ±0.13 5 PLC ±0.013 4 PLC ±. ANGLES ±. FINISH ±.		PRODUCT SPEC: -	APPLICATION SPEC: -
MATERIAL: -		WEIGHT: -	RESTRICTED TO: -
CUSTOMER DRAWING		SCALE: 4:1	SHEET 1 OF 3 REV: B4

LOC	DIST	REV	DATE	BY	APPD
GP	00				

REVISIONS		DATE	BY	APPD
1	SEE SHEET 1			



	BLACK	9	0.00038 MIN	3.18	RETENTION BARB	3-1489841-9	12
	BLACK	9	0.00038 MIN	2.67	RETENTION BARB	3-1489841-8	12
	BLACK	8	0.00038 MIN	2.67	RETENTION BARB	3-1489841-7	12
SUPERCEDED BY 3-1489841-3	NATURAL	9	0.00000 MIN	4.00	RETENTION BARB	3-1489841-6	12
SUPERCEDED BY 3-1489841-2	NATURAL	9	0.00000 MIN	3.18	RETENTION BARB	3-1489841-5	12
SUPERCEDED BY 3-1489841-1	NATURAL	9	0.00008 MIN	2.67	RETENTION BARB	3-1489841-4	12
	NATURAL	9	0.00038 MIN	4.00	RETENTION BARB	3-1489841-3	12
	NATURAL	9	0.00038 MIN	3.18	RETENTION BARB	3-1489841-2	12
	NATURAL	9	0.00038 MIN	2.67	RETENTION BARB	3-1489841-1	12
	NATURAL	9	0.00076 MIN	4.00	RETENTION BARB	3-1489841-0	11
	NATURAL	9	0.00076 MIN	3.18	RETENTION BARB	2-1489841-9	11
	NATURAL	9	0.00076 MIN	2.67	RETENTION BARB	2-1489841-8	11
SUPERCEDED BY 2-1489841-4	NATURAL	9	0.00000 MIN	4.00	PLASTIC POST	2-1489841-7	12
SUPERCEDED BY 2-1489841-3	NATURAL	9	0.00000 MIN	3.18	PLASTIC POST	2-1489841-6	12
SUPERCEDED BY 2-1489841-2	NATURAL	9	0.00000 MIN	2.67	PLASTIC POST	2-1489841-5	12
	NATURAL	9	0.00038 MIN	4.00	PLASTIC POST	2-1489841-4	12
	NATURAL	9	0.00038 MIN	3.18	PLASTIC POST	2-1489841-3	12
	NATURAL	9	0.00038 MIN	2.67	PLASTIC POST	2-1489841-2	12
OBSOLETE	NATURAL	9	0.00076 MIN	4.00	PLASTIC POST	2-1489841-1	11
	NATURAL	9	0.00076 MIN	3.18	PLASTIC POST	2-1489841-0	11
	NATURAL	9	0.00076 MIN	2.67	PLASTIC POST	1-1489841-9	11
SUPERCEDED BY 3-1489841-3	NATURAL	8	0.00000 MIN	4.00	RETENTION BARB	1-1489841-8	12
SUPERCEDED BY 3-1489841-2	NATURAL	8	0.00000 MIN	3.18	RETENTION BARB	1-1489841-7	12
SUPERCEDED BY 3-1489841-1	NATURAL	8	0.00000 MIN	2.67	RETENTION BARB	1-1489841-6	12
SUPERCEDED BY 3-1489841-3	NATURAL	8	0.00030 MIN	4.00	RETENTION BARB	1-1489841-5	12
	NATURAL	8	0.00038 MIN	3.18	RETENTION BARB	1-1489841-4	12
	NATURAL	8	0.00038 MIN	2.67	RETENTION BARB	1-1489841-3	12
SUPERCEDED BY 3-1489841-0	NATURAL	8	0.00076 MIN	4.00	RETENTION BARB	1-1489841-2	11
	NATURAL	8	0.00076 MIN	3.18	RETENTION BARB	1-1489841-1	11
SUPERCEDED BY 2-1489841-8	NATURAL	8	0.00076 MIN	2.67	RETENTION BARB	1-1489841-0	11
SUPERCEDED BY 2-1489841-4	NATURAL	8	0.00000 MIN	4.00	PLASTIC POST	1489841-9	12
SUPERCEDED BY 2-1489841-3	NATURAL	8	0.00000 MIN	3.18	PLASTIC POST	1489841-8	12
SUPERCEDED BY 2-1489841-2	NATURAL	8	0.00000 MIN	2.67	PLASTIC POST	1489841-7	12
SUPERCEDED BY 2-1489841-4	NATURAL	8	0.00030 MIN	4.00	PLASTIC POST	1489841-6	12
SUPERCEDED BY 2-1489841-3	NATURAL	8	0.00038 MIN	3.18	PLASTIC POST	1489841-5	12
SUPERCEDED BY 2-1489841-2	NATURAL	8	0.00030 MIN	2.67	PLASTIC POST	1489841-4	12
SUPERCEDED BY 2-1489841-1	NATURAL	8	0.00076 MIN	4.00	PLASTIC POST	1489841-3	11
SUPERCEDED BY 2-1489841-0	NATURAL	8	0.00076 MIN	3.18	PLASTIC POST	1489841-2	11
SUPERCEDED BY 1-1489841-9	NATURAL	8	0.00076 MIN	2.67	PLASTIC POST	1489841-1	11
	EXTRACTOR COLOR	SOLDER TAIL	CONTACT GOLD INTERFACE	TAIL LENGTH	HOUSING STYLE	PART NUMBER	

THIS DRAWING IS A CONTROLLED DOCUMENT.

DATE: 04JAN2002
 DWG: D. RINGLER
 CHK: M. CORRELL
 APPD: M. CORRELL
 DATE: 20JUN2003

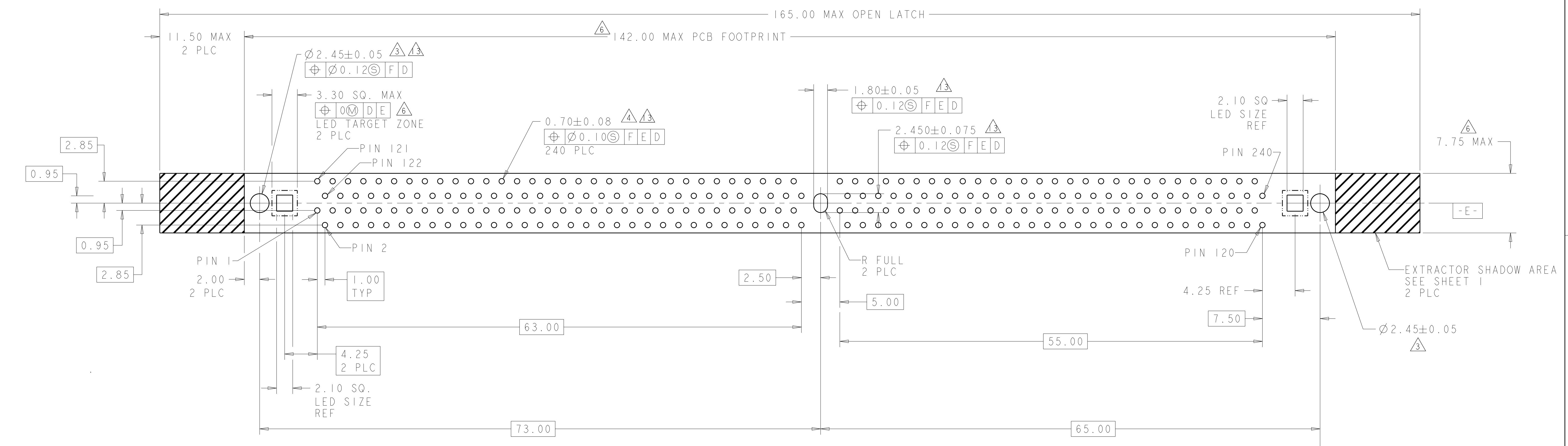
NAME: SOCKET ASSEMBLY, DDR II SOLDER TAIL, 240 POSITION

PRODUCT SPEC: -
 APPLICATION SPEC: -
 WEIGHT: -
 CUSTOMER DRAWING

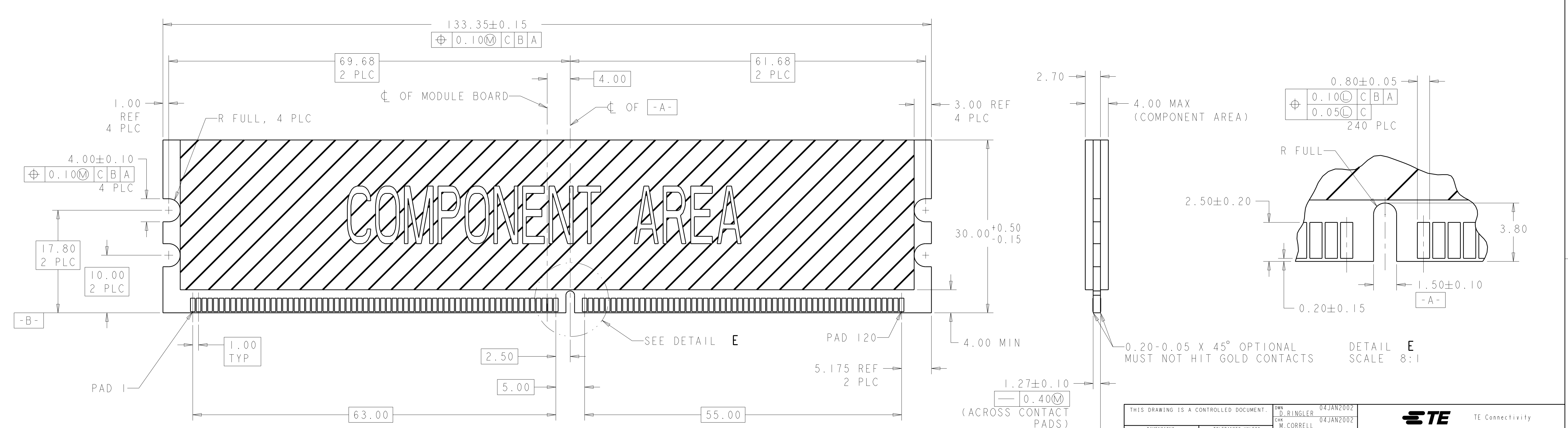
SCALE: 4:1 SHEET 2 OF 3 REV: B4

LOC	DIST	REV	DATE	BY	APPD
GP	00				

REVISIONS		DATE	BY	APPD
1	SEE SHEET 1			



RECOMMENDED PCB LAYOUT
VIEWED FROM CONNECTOR SIDE



RECOMMENDED MODULE LAYOUT
SCALE 3:1

THIS DRAWING IS A CONTROLLED DOCUMENT.		OWN: D. RINGLER 04JAN2002	TE Connectivity
DIMENSIONS: mm		CHK: M. CORRELL 04JAN2002	
TOLERANCES UNLESS OTHERWISE SPECIFIED:		APVD: M. CORRELL 20JUN2003	NAME: SOCKET ASSEMBLY, DDR II SOLDER TAIL, 240 POSITION
9 PLC ±0.5	3 PLC ±0.13	PRODUCT SPEC	SIZE: CAGE CODE: DRAWING NO: A100779C=1489841
5 PLC ±0.013	4 PLC ±0.013	APPLICATION SPEC	RESTRICTED TO
ANGLES ±0.5	FINISH	WEIGHT	SCALE: 1:1 SHEET 3 OF 3 REV: B4
MATERIAL		CUSTOMER DRAWING	

单击下面可查看定价，库存，交付和生命周期等信息

[>>TE Connectivity\(泰科\)](#)