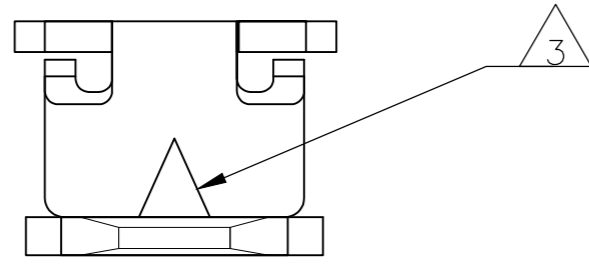


THIS DRAWING IS UNPUBLISHED. RELEASED FOR PUBLICATION  
 © COPYRIGHT BY TYCO ELECTRONICS CORPORATION. ALL RIGHTS RESERVED.

LOC		DIST		REVISIONS			
P	LTR	DESCRIPTION		DATE	DWN	APVD	
	A3	REVISED PER ECR-18-009392		01APR2019	BDA	SV	



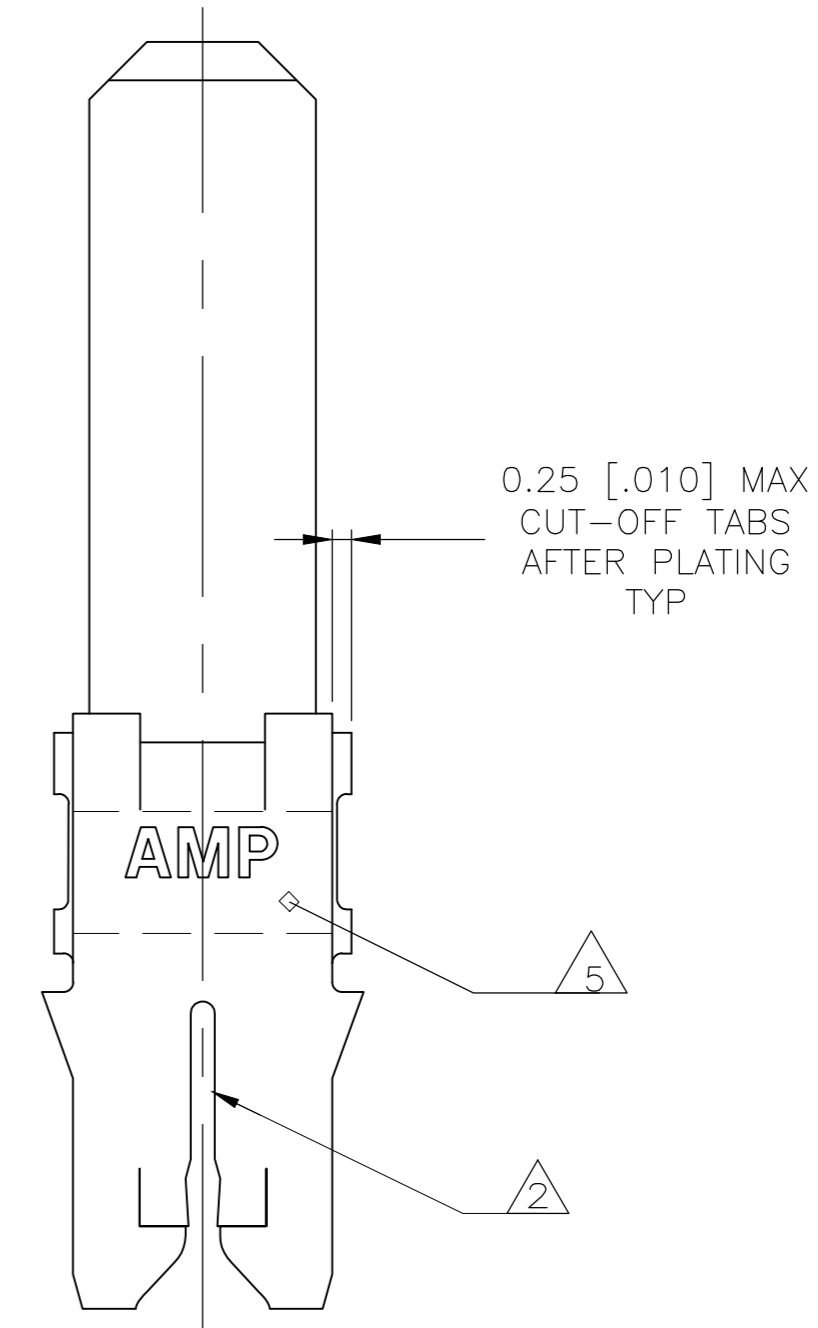
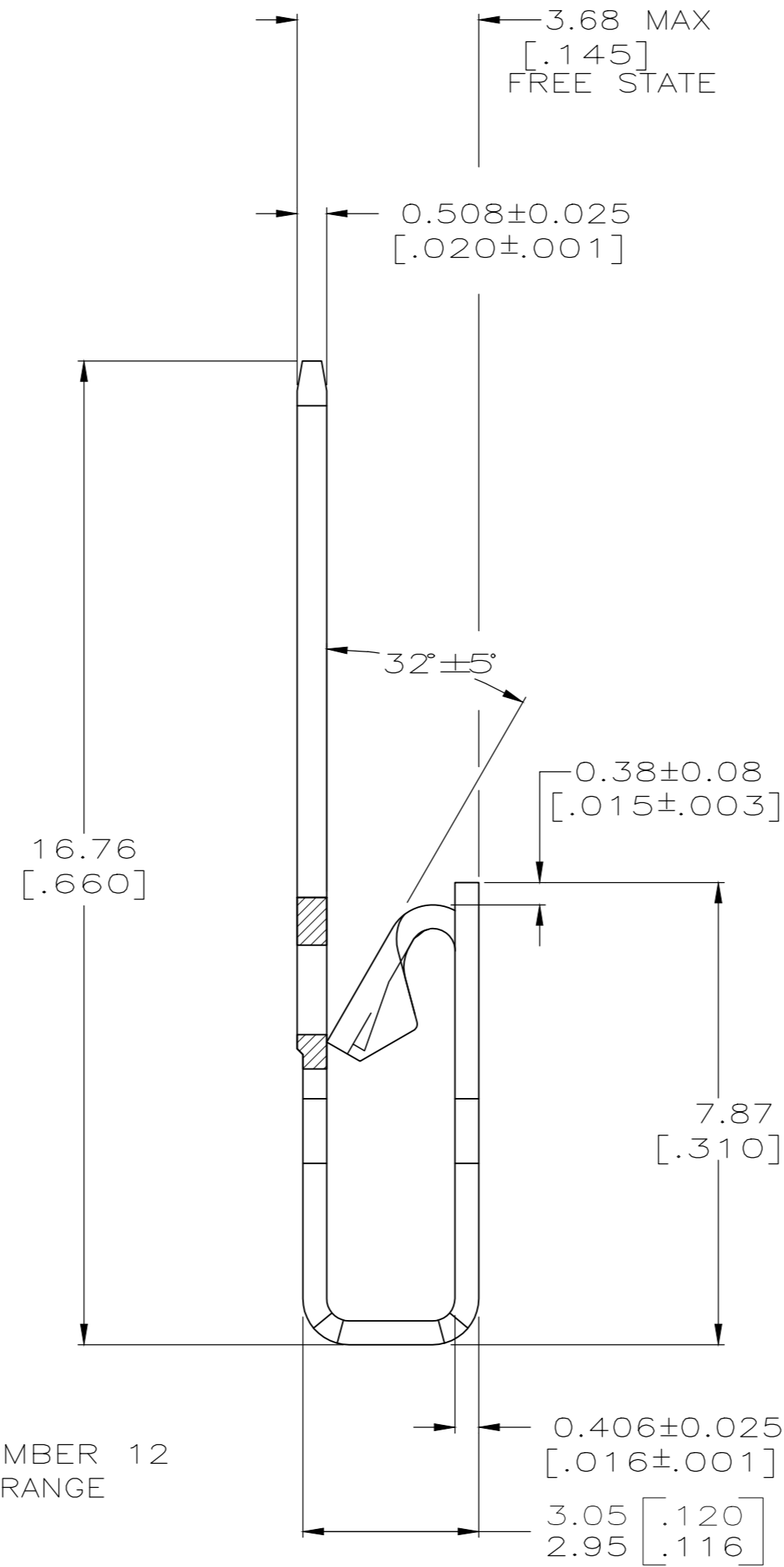
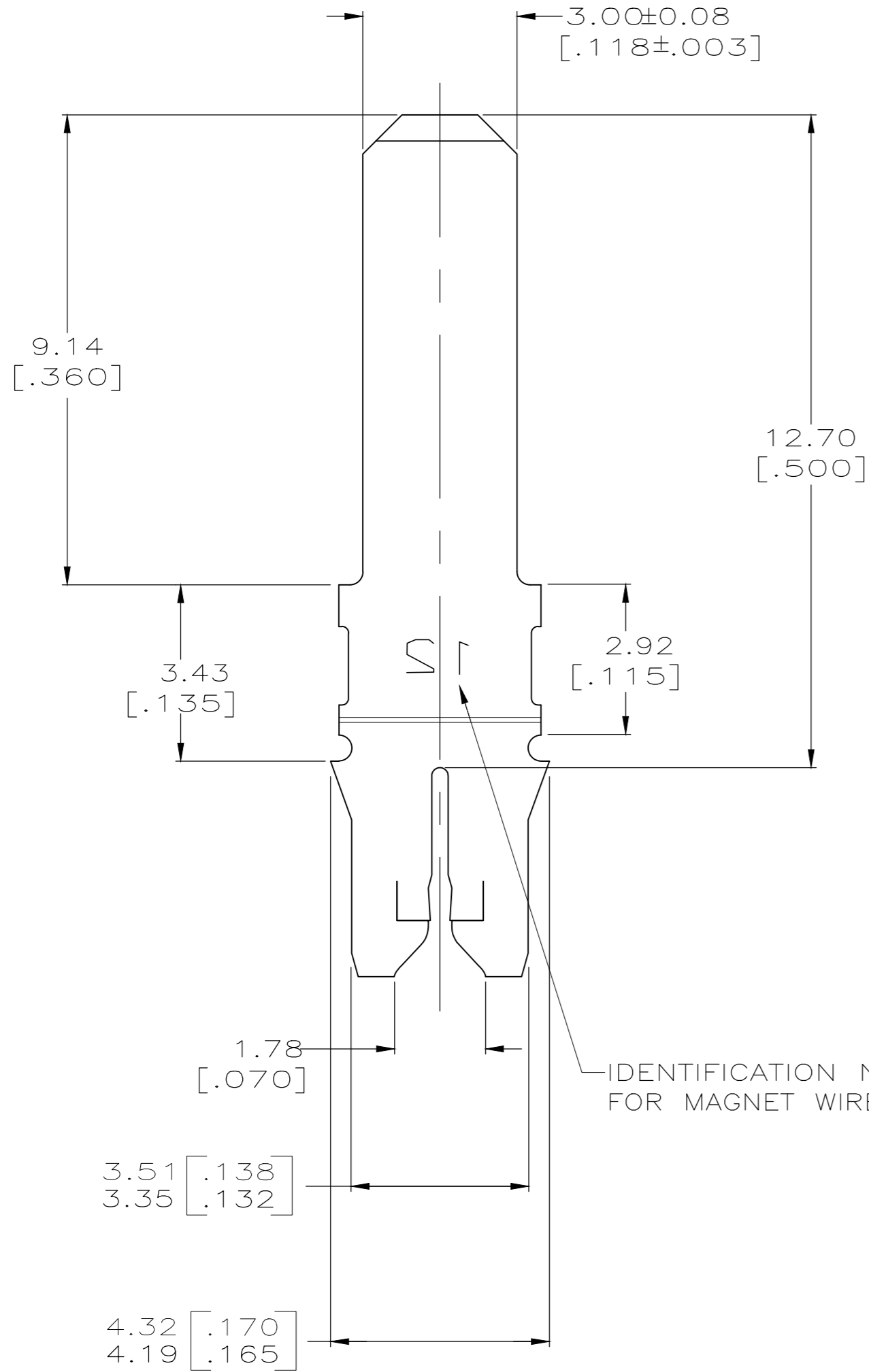
1 SUPPLIED IN LOOSE PIECE

2 SLOT ACCEPTS 0.45-0.64mm [#25-#22] AWG COPPER MAGNET WIRE. 2 WIRES OF THE SAME SIZE PER SLOT EXCEPT 0.64mm [#22] AWG WHICH IS ONE WIRE ONLY. OR ALUMINIUM WIRE RANGE IS 0.72-0.91mm [#21-#19] AWG SINGLE WIRE ONLY. ALUMINIUM WIRE RANGE APPLIES FOR POST TIN PLATED PART NUMBERS ONLY

3 POKE-IN ACCEPTS A 0.5-0.8mm [#20-#18] AWG SOLID OR FUSED STRANDED LEAD WIRE.

4 0.002032 [.000080] MIN TIN

5 RED COLORING APPLIED TO THIS SURFACE DURING LOOSE PIECE OPERATION TO PROVIDE ORIENTATION FOR PNEUMATIC PRESS TERMINATION PROCESS.



IDENTIFICATION NUMBER 12 FOR MAGNET WIRE RANGE

1742136-1  
PART NUMBER

THIS DRAWING IS A CONTROLLED DOCUMENT.		DWN jr ruth 18MAY04	Tyco Electronics Corporation Harrisburg, PA 17105-3608	
DIMENSIONS: mm [INCHES]		CHK KURT A. RANDOLPH 18MAY04		
TOLERANCES UNLESS OTHERWISE SPECIFIED:		APVD KURT A. RANDOLPH 18MAY04	NAME	
0 PLC ± -	1 PLC ± -	PRODUCT SPEC	TERMINAL, POKE-IN/3.00[.118] SERIES TAB, COMBINATION, LOOSE PIECE, MAG-MATE	
2 PLC ± 0.25[.010]	3 PLC ± -	APPLICATION SPEC	SIZE A2	CAGE CODE 00779
4 PLC ± -	ANGLES ± -	114-2046	DRAWING NO C=1742136	RESTRICTED TO -
MATERIAL 4M PRE-MILLED	FINISH - 4	WEIGHT -	SCALE 10:1	SHEET 1 of 1
CUSTOMER DRAWING			REV A3	

单击下面可查看定价，库存，交付和生命周期等信息

[>>TE Connectivity\(泰科\)](#)