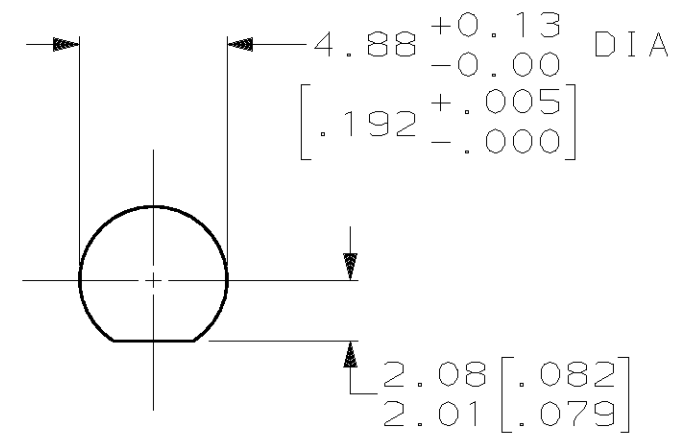
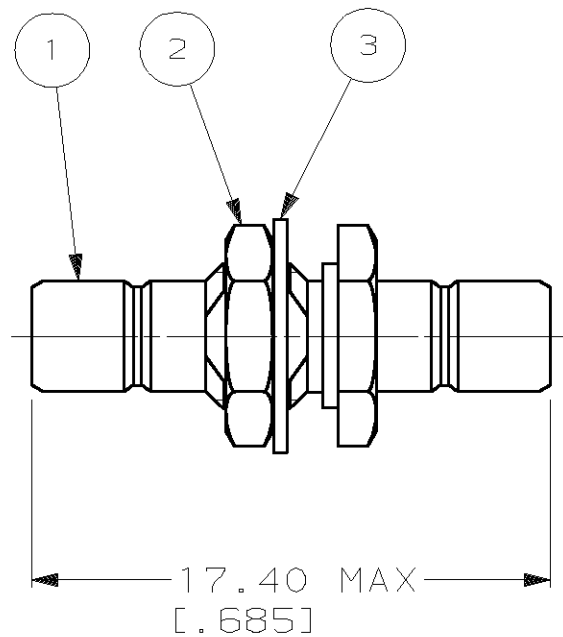


THIS DRAWING IS UNPUBLISHED. RELEASED FOR PUBLICATION
 © COPYRIGHT ALL INTERNATIONAL RIGHTS RESERVED.

LOC	DIST	P	F	REVISIONS			DATE	APPD
AJ	16			ZONE	LTR	DESCRIPTION		
						H1 REVISED PER ECO-11-005294	11APR11	HMR



SUGGESTED PANEL CUT-OUT

SUPSD BY 228553-1	415001-2	414969-2	228569-2	228553-2
	415001-2	414969-2	228569-1	228553-1
③ LOCKWASHER QTY=1	② JAM NUT QTY=1	① BULKHEAD ASSEMBLY QTY=1	PART NO	

DO NOT SCALE PRINT. UNLESS SPECIFIED DIMENSIONS IN mm [INCHES] TOLERANCES ON: 2 PLC DEC ± - 3 PLC DEC ± .008 ANGLES ± - MATERIAL - FINISH - WEIGHT -	DR	<i>K. Heilig</i>	6/11/92				
	CHK	G. MICHAEL	7/8/92				
	APPD	G. MICHAEL	7/8/92		NAME		
	APPD	K. HEILIG	7/13/92		ADAPTER, BULKHEAD, SMB		
	PRODUCT SPEC			SIZE	CAGE CODE	DRAWING NO	
	APPLICATION SPEC			B	00779	228553	
				SCALE	4:1	SHEET	1 OF 1

单击下面可查看定价，库存，交付和生命周期等信息

[>>TE Connectivity\(泰科\)](#)