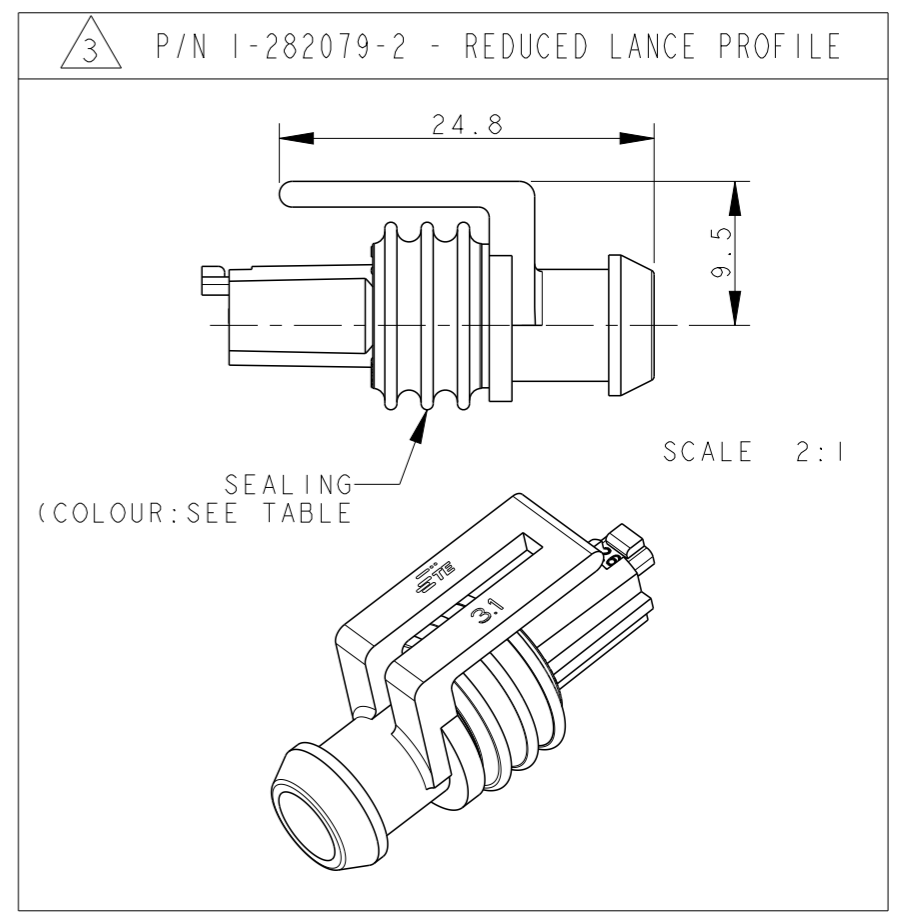
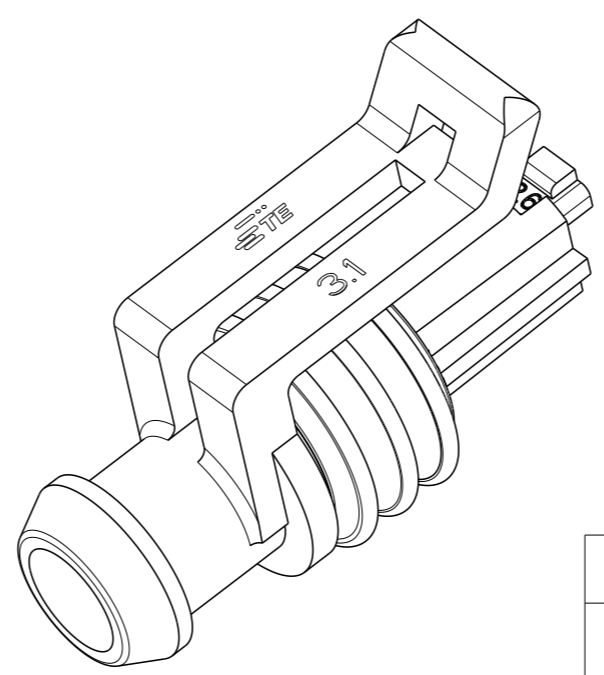
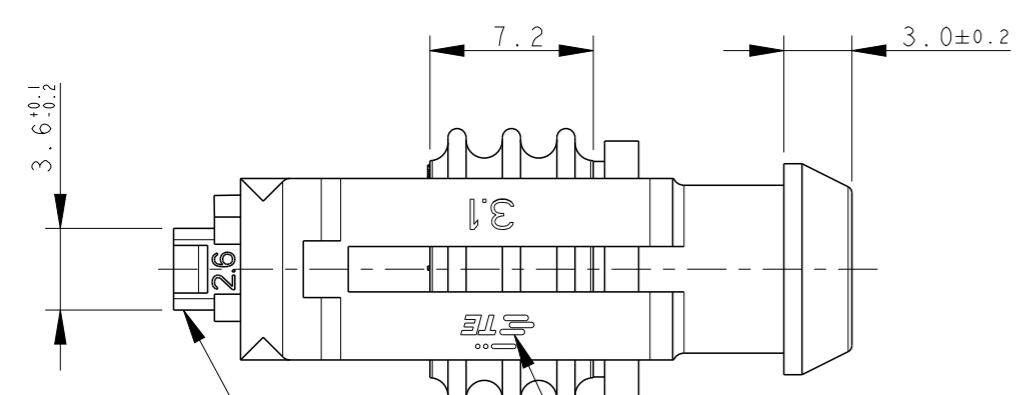
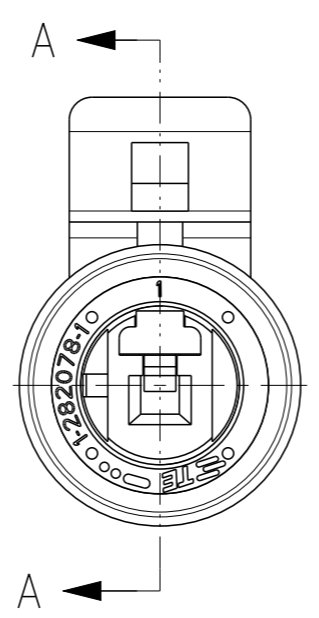
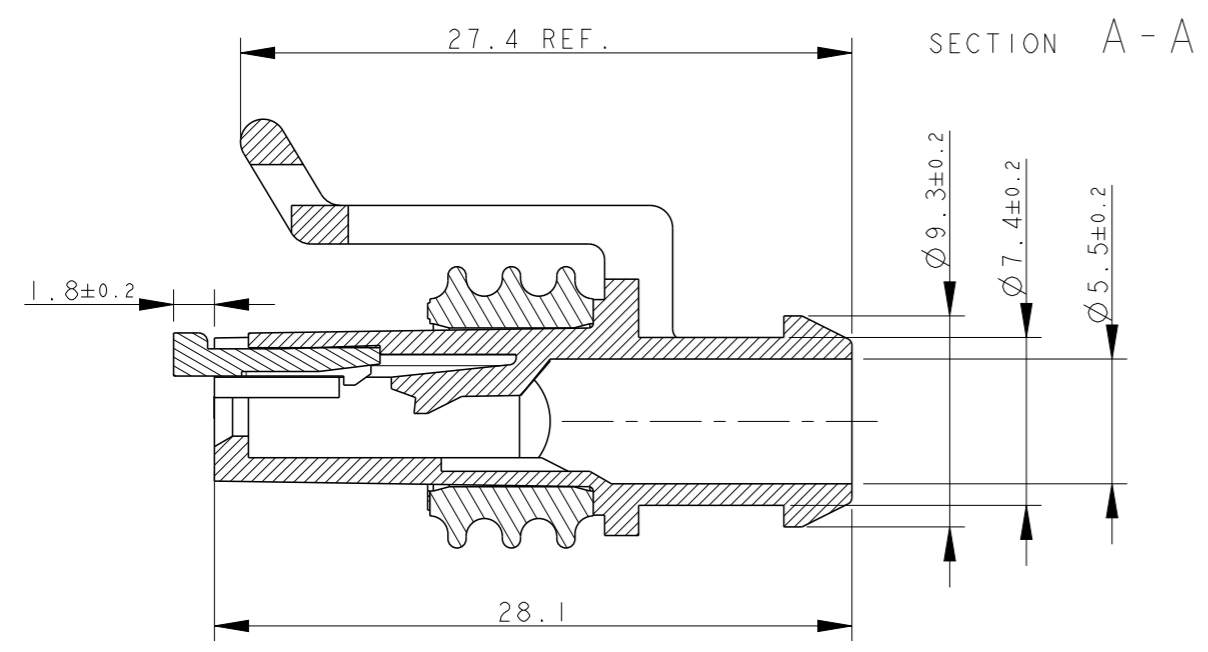


THIS DRAWING IS UNPUBLISHED. RELEASED FOR PUBLICATION 2011  
 © COPYRIGHT 2011 ALL RIGHTS RESERVED.

| REVISIONS |     |                           |           |      |      |
|-----------|-----|---------------------------|-----------|------|------|
| P         | LTR | DESCRIPTION               | DATE      | DWN  | APVD |
|           | G   | ECR-14-009314             | 24MAR2015 | M.P. | M.G. |
|           | G1  | REVISED (ECR-15-014031)   | 25SEP2015 | M.G. | M.G. |
|           | G2  | REVISED PER ECO-17-001706 | 10FEB2017 | C.A. | M.G. |
|           | G3  | REVISED PER ECO-17-018626 | 18DEC2017 | AP   | VN   |



TE CONNECTIVITY TRADE MARK, (IN ALTERNATIVE: "AMP" LOGO, OR "Tyco Electronics" LOGO)

SEALING (COLOUR:SEE TABLE)

PRE-ASSEMBLED SECONDARY LOCK (COLOUR RED)

**1** WARNING: LOW RETENTION FORCE OF SEALING ON HOUSING (<9N)  
 2) FOR COUNTERPART DETAILS, SEE SHEET 2 OF 2

| NOTE     | SEAL COLOUR | HOUSING COLOR  | MATERIAL  | PART NUMBER |
|----------|-------------|----------------|---|-------------|
| <b>1</b> | NATURAL     | BLACK          | HOUSING+SEC.LOCK: PA 66-GF<br>SEALING: LSR (4% OIL CONTENT) | 2-282079-2  |
|          | YELLOW      | <b>3</b> BLACK | HOUSING+SEC.LOCK: PA 66-GF<br>SEALING: LSR (NO OIL CONTENT) | 1-282079-2  |
|          | YELLOW      | GRAY           |   | 282079-3    |
|          | YELLOW      | BLACK          |   | 282079-2    |

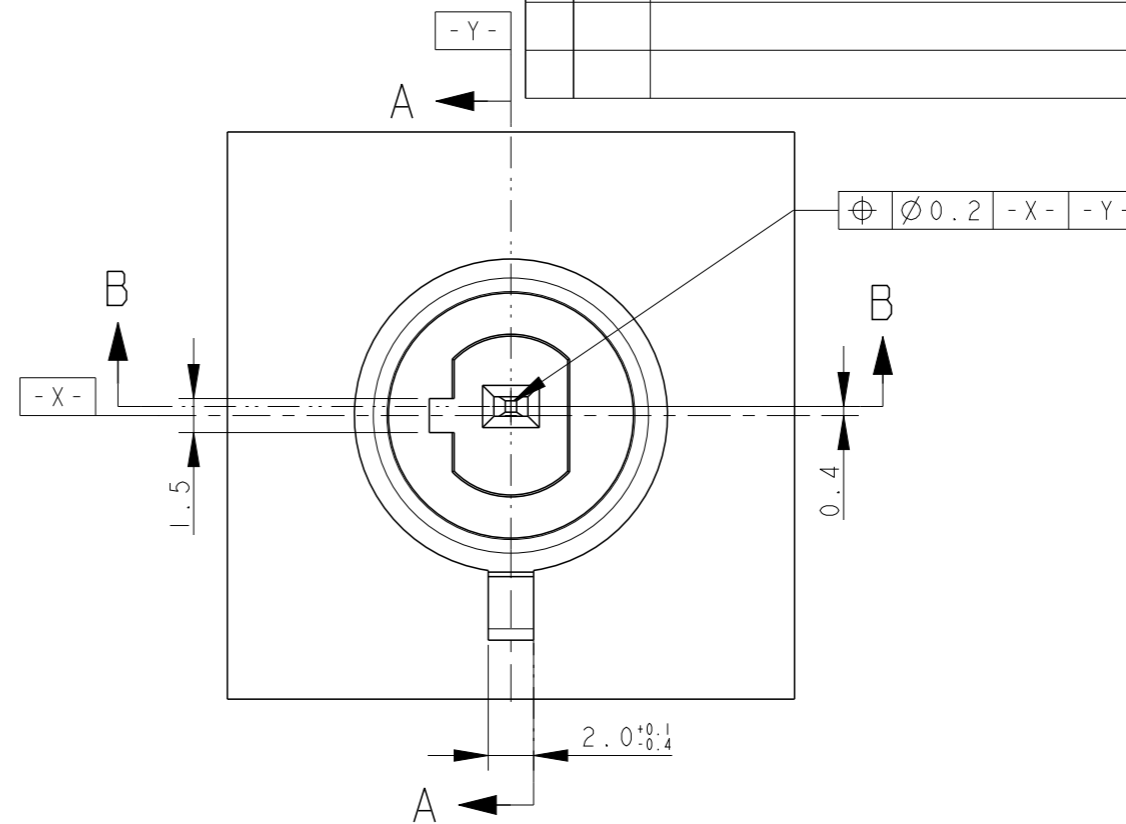
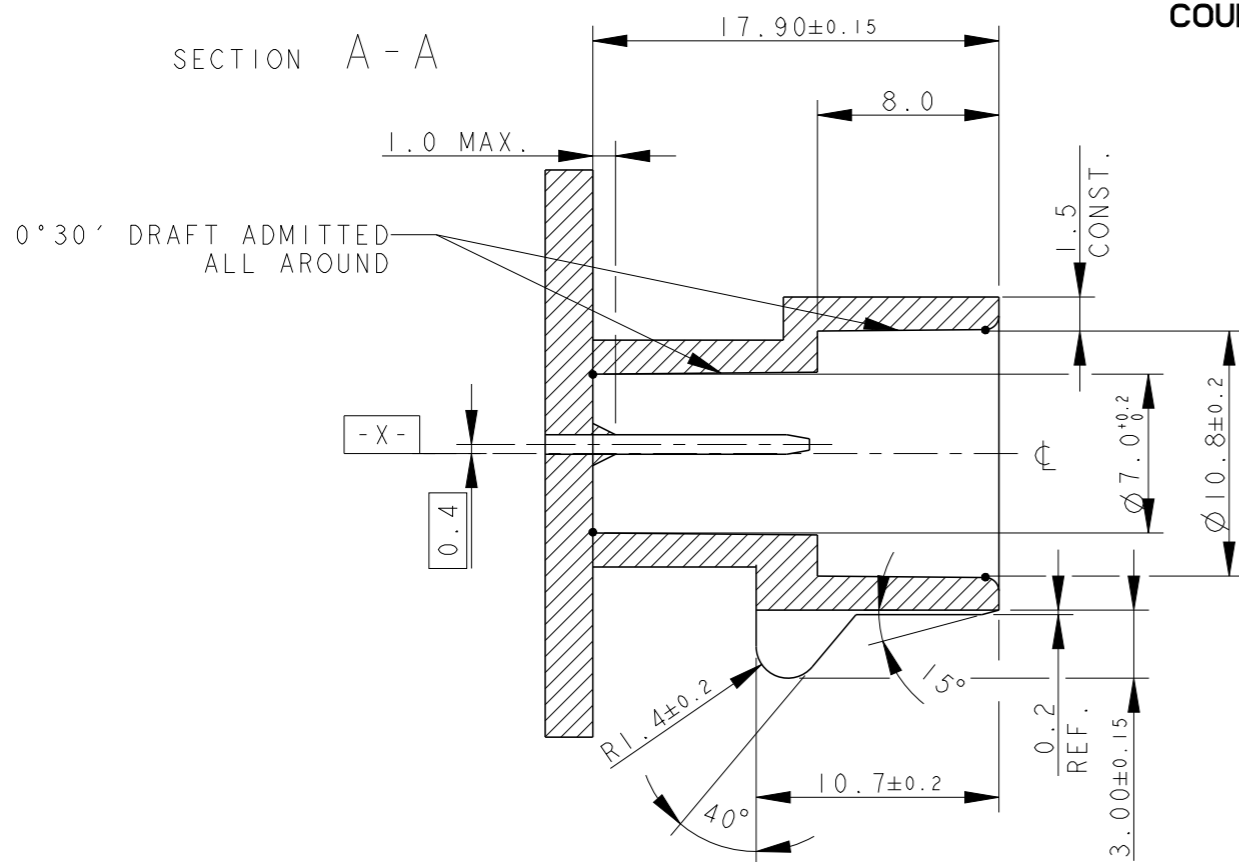
|  |  |                               |   |                    |                        |
|--|--|-------------------------------|---|--------------------|------------------------|
| THIS DRAWING IS A CONTROLLED DOCUMENT.                               |  | DWN<br>C. BERTINI 05-1992     | TE Connectivity                                 |                    |                        |
| DIMENSIONS: mm   |  | CHK<br>A. BRUNI 05-1992       |   |                    |                        |
| TOLERANCES UNLESS OTHERWISE SPECIFIED:                               |  | APVD<br>-                     | NAME<br>-                                       |                    |                        |
| 0 PLC ±<br>1 PLC ±0.3<br>2 PLC ±<br>3 PLC ±<br>4 PLC ±<br>ANGLES ±2° |  | PRODUCT SPEC<br>108-20090     | AMP SUPERSEAL 1.5 SRS.<br>1 POSITION PLUG ASS'Y |                    |                        |
| MATERIAL<br>SEE TABLE  |  | APPLICATION SPEC<br>412-20000 | SIZE<br>A3                                      | CAGE CODE<br>00779 | DRAWING NO<br>C-282079 |
| FINISH<br>SEE TABLE  |  | WEIGHT<br>1.55gr              | RESTRICTED TO<br>-                              |                    |                        |
|  |  | Customer Drawing              | SCALE<br>3:1                                    | SHEET<br>1 OF 2    | REV<br>G3              |

REVISIONS

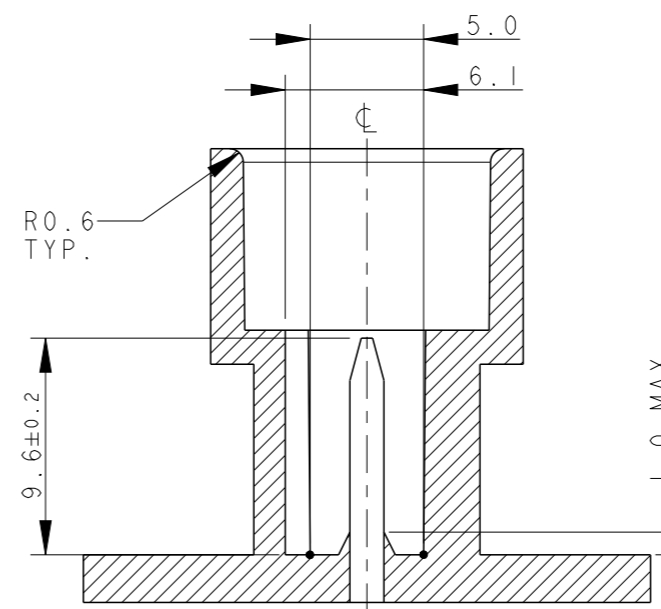
| P | LTR | DESCRIPTION | DATE | DWN | APVD |
|---|-----|-------------|------|-----|------|
| - | -   | SEE SHEET 1 | -    | -   | -    |

COUNTERPART DETAILS

SECTION A - A

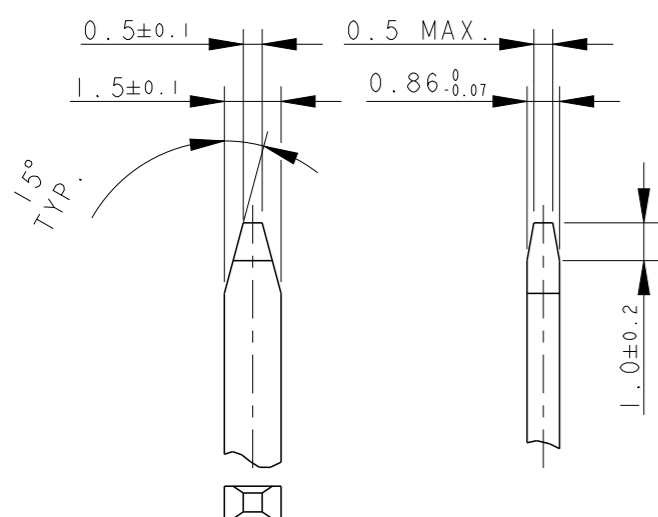


SECTION B - B



MATERIALS: PA66-GF FOR HOUSING  
TIN PLATED BRASS FOR TABS

TAB DETAILS



THIS DRAWING IS A CONTROLLED DOCUMENT.

DWN C. BERTINI 05-1992

CHK A. BRUNI 05-1992

APVD -

NAME -

DIMENSIONS:  
mm

TOLERANCES UNLESS OTHERWISE SPECIFIED:



- 0 PLC ±0.3
- 1 PLC ±0.1
- 2 PLC ±0.05
- 3 PLC ±
- 4 PLC ±
- ANGLES ±2°

MATERIAL

FINISH



PRODUCT SPEC  
108-20090

APPLICATION SPEC  
412-20000

WEIGHT  
1.55gr



AMP SUPERSEAL 1.5 SRS.  
1 POSITION PLUG ASS'Y

SIZE CAGE CODE DRAWING NO RESTRICTED TO

A300779 C-282079

Customer Drawing

SCALE 5:1 SHEET 2 OF 2 REV G3

单击下面可查看定价，库存，交付和生命周期等信息

[>>TE Connectivity\(泰科\)](#)