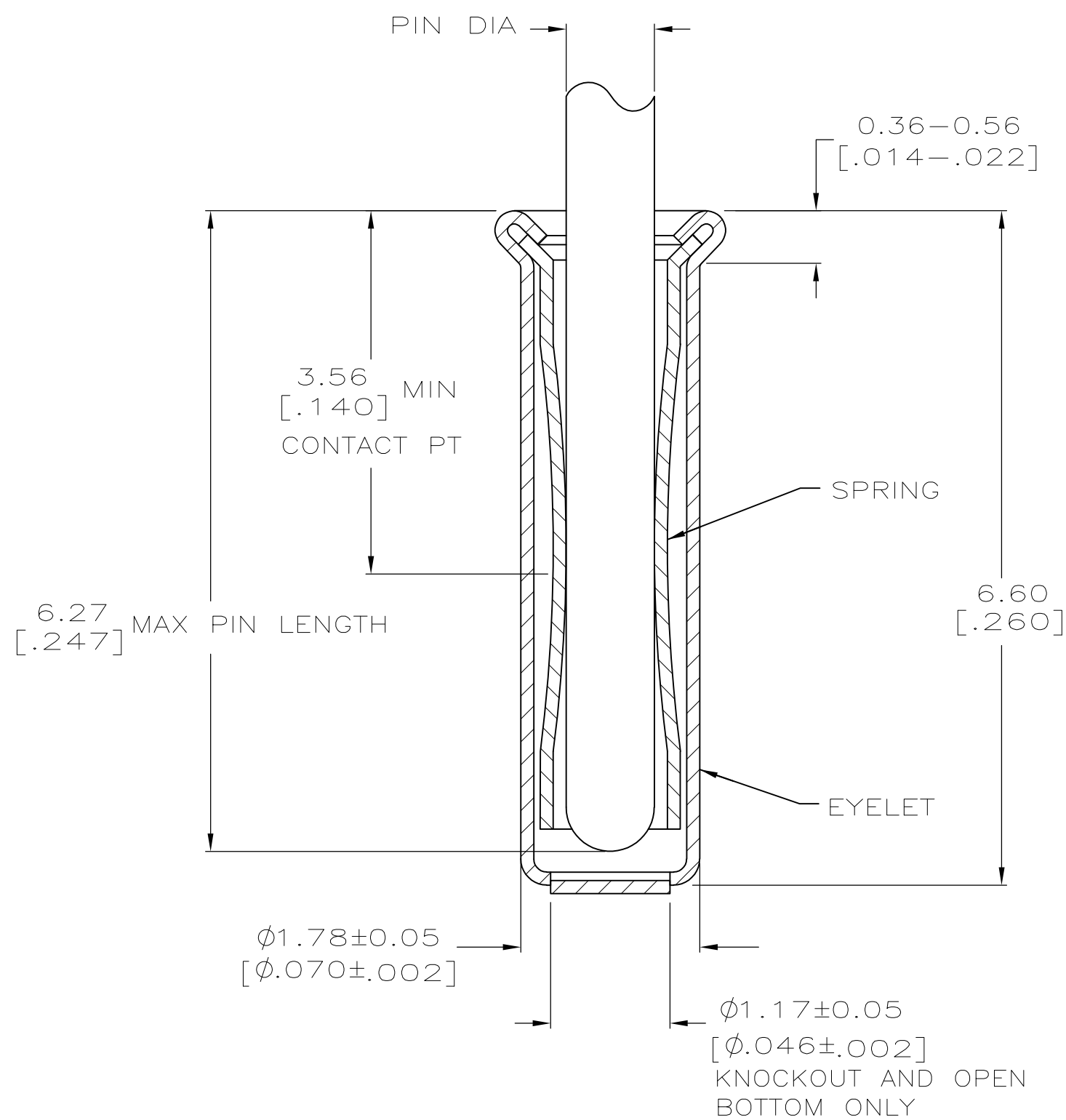
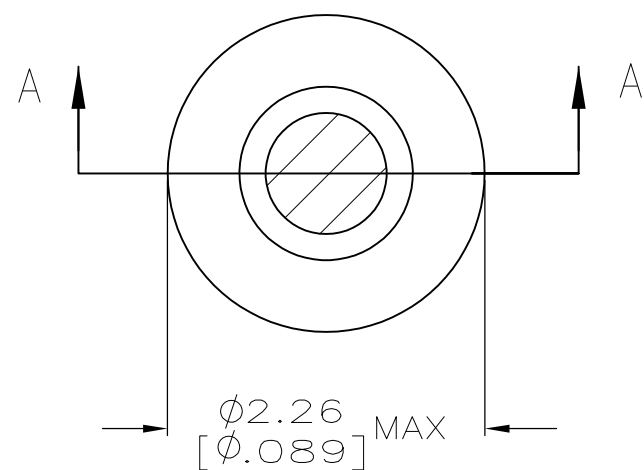


THIS DRAWING IS UNPUBLISHED. RELEASED FOR PUBLICATION
 © COPYRIGHT - By - ALL RIGHTS RESERVED.

LOC	DIST	REVISIONS			
P	LTR	DESCRIPTION	DATE	DWN	APVD
GP	00	A1	REVISED PER ECO-11-004835	11MAR11	RK HMR



SECTION A-A

1. TIN PLATE PER ASTM-B-545 .000254 [.000100] MINIMUM THICK.
2. NICKEL UNDERPLATE ALL OVER, MATING SURFACE PLATED TO MEET PERFORMANCE REQUIREMENTS OF TE CONNECTIVITY PRODUCT SPECIFICATION 108-14008.
3. RECOMMENDED HOLE SIZE, PLATED OR UNPLATED:
 MACHINE INSERTION: $1.83 \begin{matrix} +0.10 \\ -0.08 \end{matrix} \begin{matrix} [.072 \ +.004 \\ \ -0.003] \end{matrix}$
 HAND INSERTION: $1.83 \begin{matrix} +0.10 \\ -0.00 \end{matrix} \begin{matrix} [.072 \ +.004 \\ \ -0.000] \end{matrix}$
4. APPLICATION TOOL PART NUMBER:
 MACHINE NO. 682127-5
 INSERTION HEAD NO. 682039-4
5. TO INSURE PROPER SPRING TENSION DO NOT EXCEED A 0.05 [.002] DIFFERENCE IN PIN DIA WHEN CHANGING TO A SMALLER PIN.
6. BOTTOM PLUG KNOCKOUT TOOL PART NUMBER 69729 WITH TIP PART NUMBER 69728-2.
7. MATERIAL: SPRING: BERYLLIUM COPPER QQ-C-533
 EYELET: COPPER, QQ-C-576

CLOSED	0.86-1.04 [.034-.041]	TIN $\triangle 1$	TIN $\triangle 1$	5050865-8
KNOCKOUT			TIN $\triangle 1$	5050865-7
OPEN			GOLD $\triangle 2$	5050865-6
CLOSED			GOLD $\triangle 2$	5050865-5
OPEN				5050865-3
KNOCKOUT				5050865-1
BOTTOM TYPE	RECOMMENDED PIN DIA $\triangle 5$	EYELET	SPRING	PART NO
		FINISH		

THIS DRAWING IS A CONTROLLED DOCUMENT.		DWN J. ALCORTA - DOCK5 20APR2005	TE Connectivity	
DIMENSIONS: mm [INCHES]		CHK J. HAVENER 25JUL2005	NAME MINIATURE SPRING SOCKET ASSEMBLY SERIES 4	
TOLERANCES UNLESS OTHERWISE SPECIFIED:		APVD J. HAVENER 25JUL2005	PRODUCT SPEC 108-14008	
0 PLC ± -		APPLICATION SPEC 114-13152		
1 PLC ± -		SIZE A2		
2 PLC ± -		CAGE CODE 00779		
3 PLC ± 0.20 [.008]		DRAWING NO C=5050865		
4 PLC ± -		RESTRICTED TO -		
ANGLES ± -		SCALE 20:1		
MATERIAL $\triangle 7$		WEIGHT -		
FINISH SEE TABLE		SHEET 1 of 1		
CUSTOMER DRAWING		REV A1		

单击下面可查看定价，库存，交付和生命周期等信息

[>>TE Connectivity\(泰科\)](#)