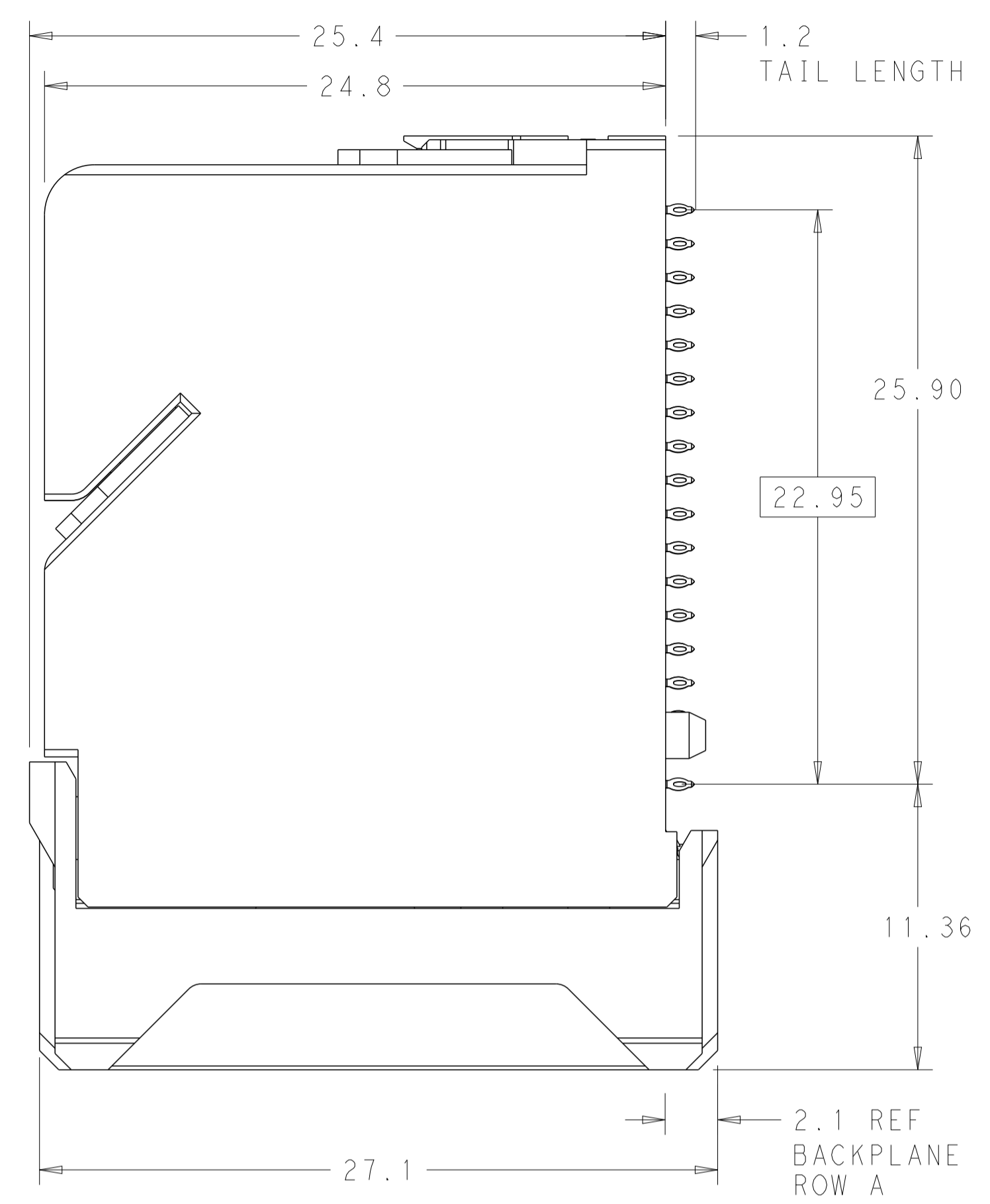
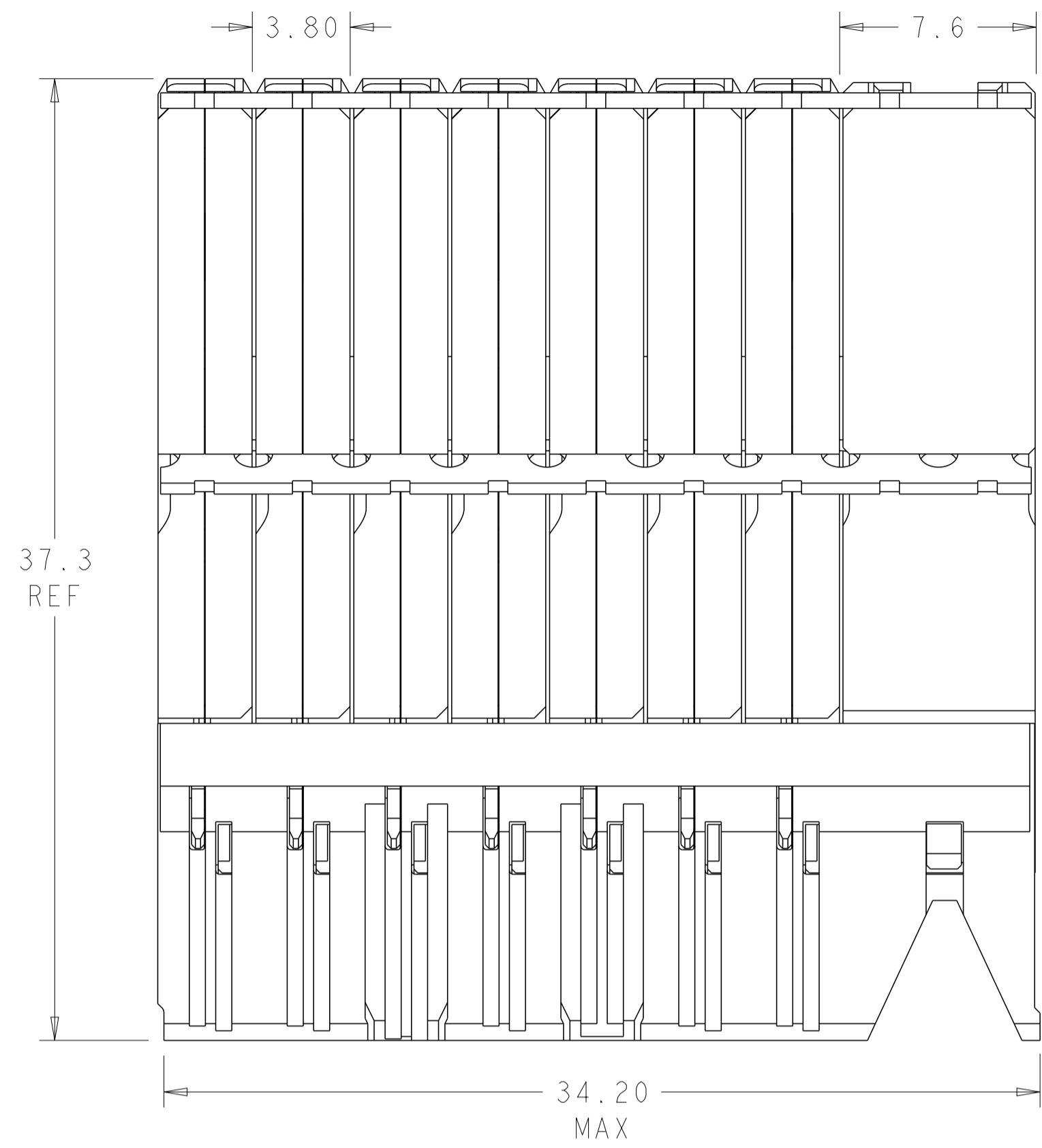
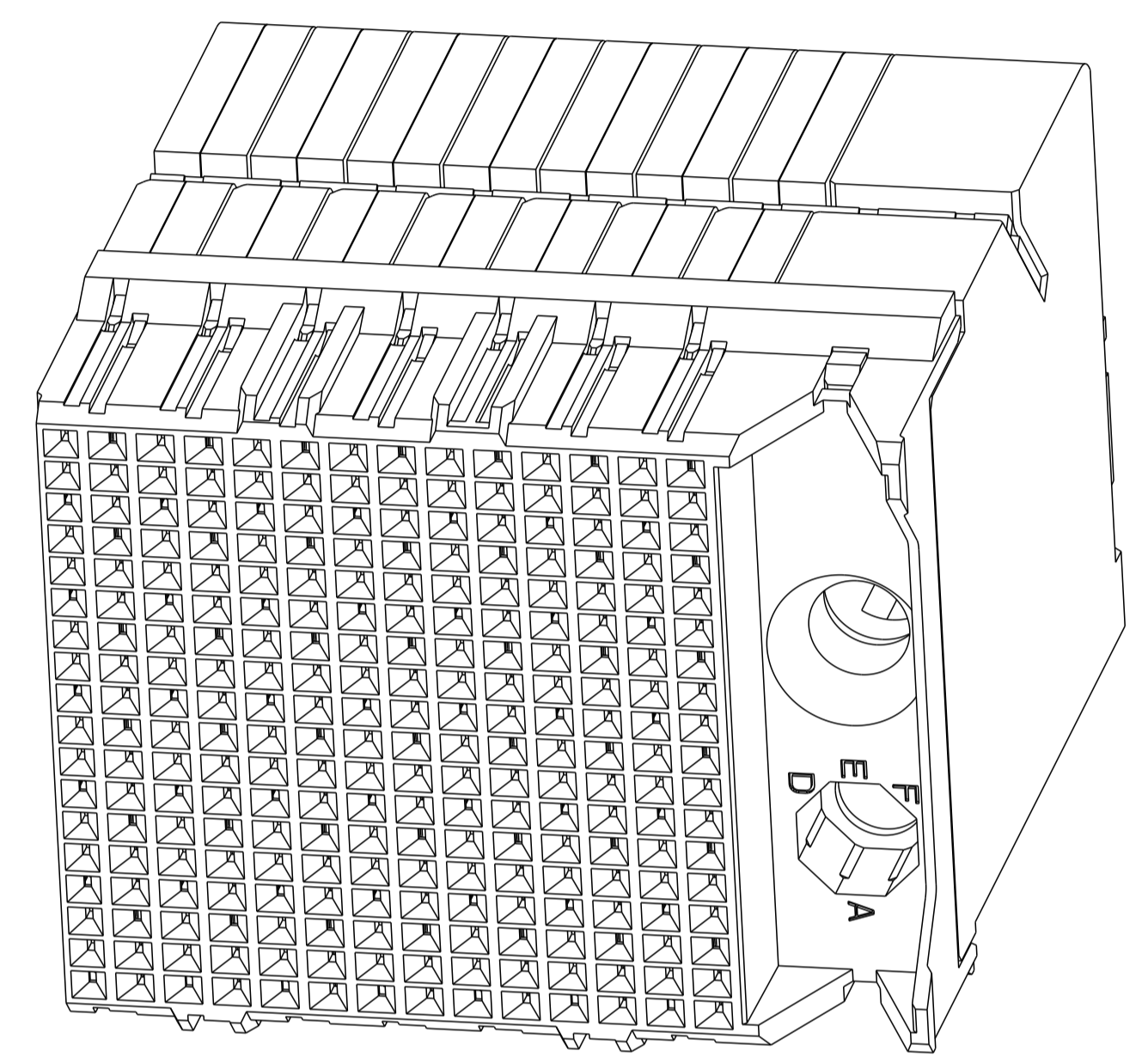


REVISIONS				
P	LTN	DESCRIPTION	DATE	APVD
E		REVISED PER ECO-15-012351	03SEP2015	AP SY

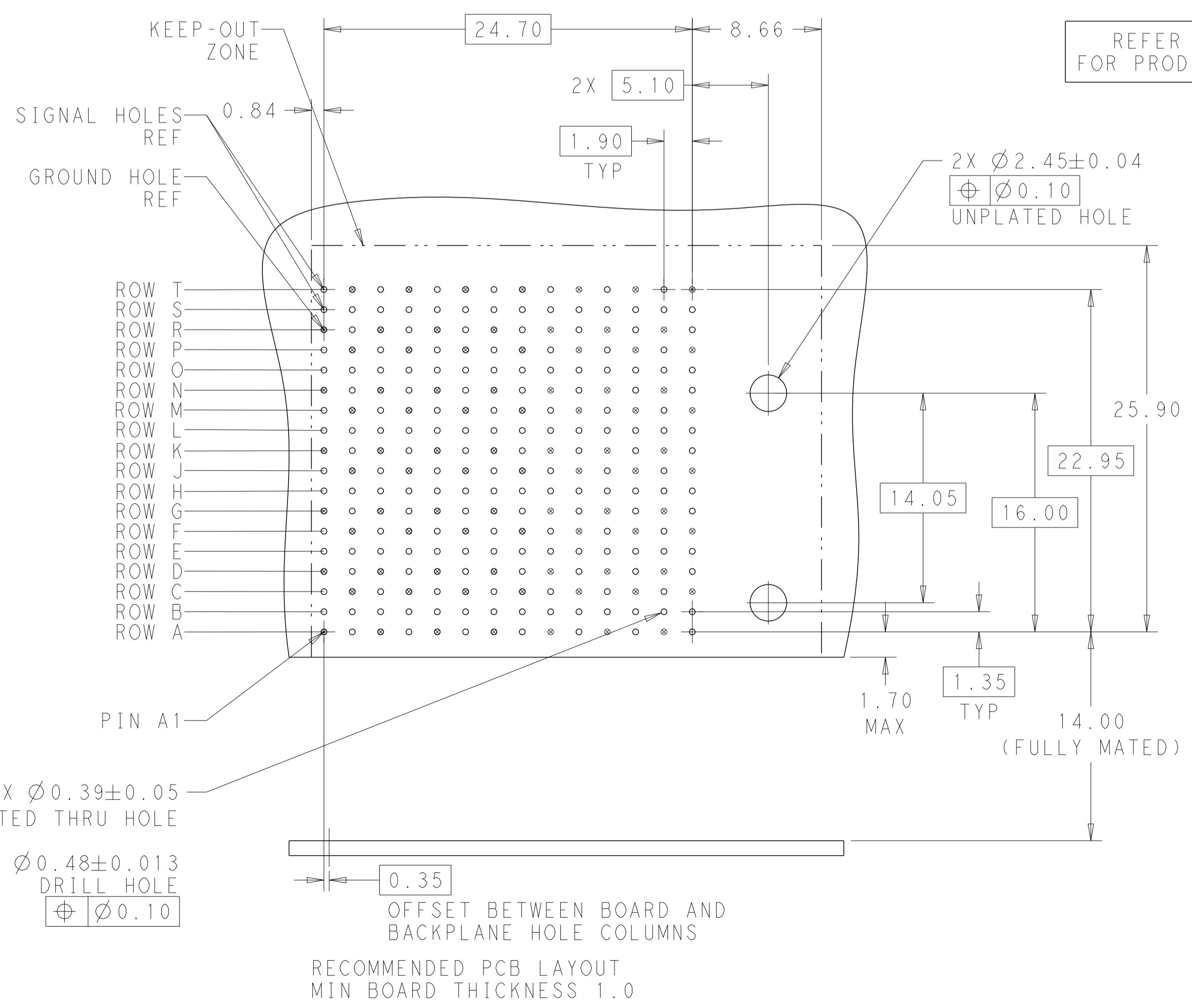
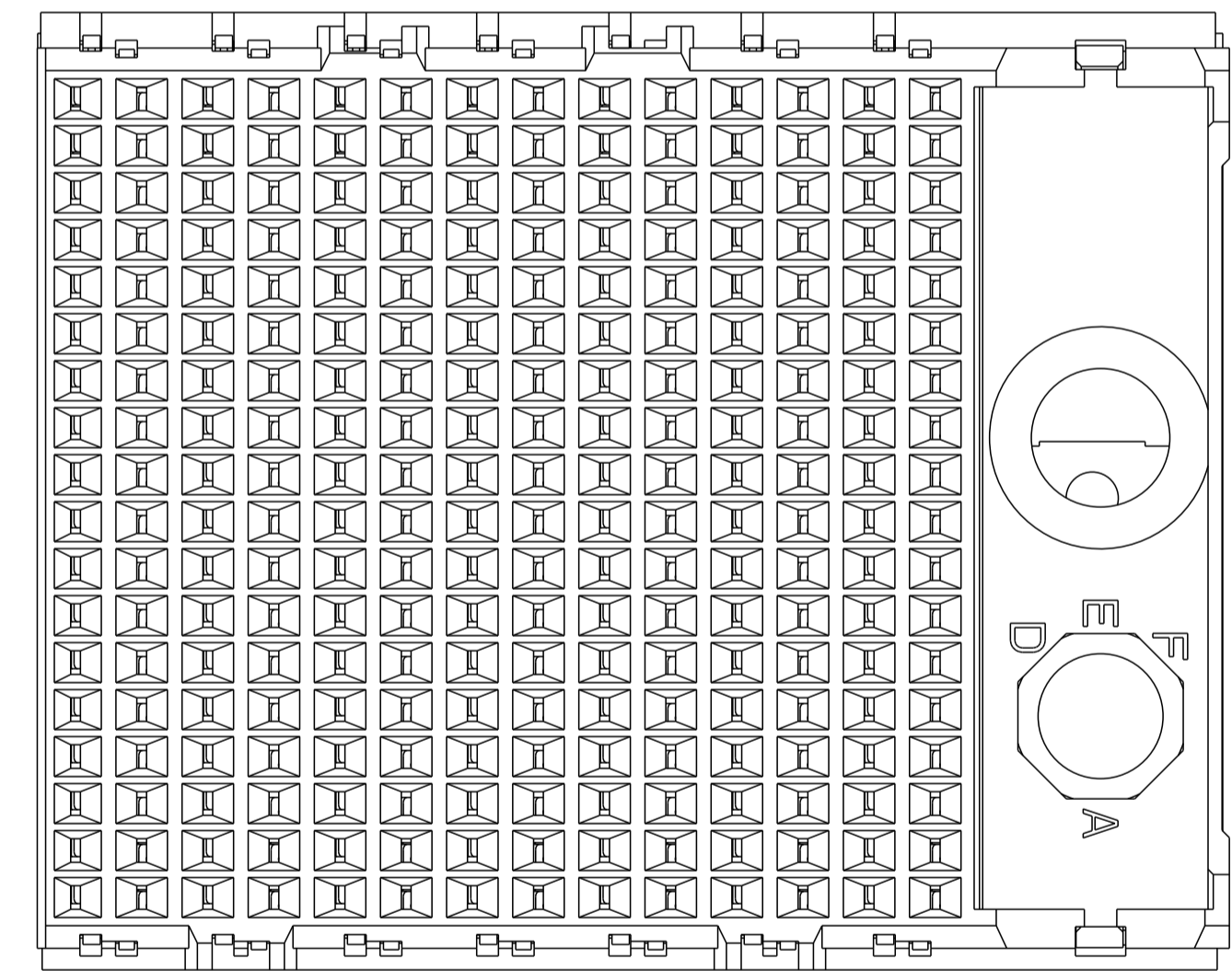


- ⚠ MATERIAL:  
HOUSING: LCP, GLASS FILLED, UL94V-0.  
TERMINALS: HIGH PERFORMANCE COPPER ALLOY.
- ⚠ FINISH:  
30µ" SELECTIVE GOLD IN CONTACT AREA. SELECTIVE TIN ON PCB TAILS, NICKEL OVERALL.
- 3. CONNECTORS SUPPLIED WITH MOUNTING SCREWS



SCALE 4:1

REFER TO WWW.TE.COM FOR PRODUCT AVAILABILITY



KEY POSITION CHART	
	NONE
	A
	B
	C
	D
	E
	F
	G
	H

KEY POSITION	FINISH	PART NUMBER
H	⚠	8-2057990-1
G	⚠	7-2057990-1
F	⚠	6-2057990-1
E	⚠	5-2057990-1
D	⚠	4-2057990-1
C	⚠	3-2057990-1
B	⚠	2-2057990-1
A	⚠	1-2057990-1
NONE	⚠	2057990-1

THIS DRAWING IS A CONTROLLED DOCUMENT.

DIMENSIONS:	TOLERANCES UNLESS OTHERWISE SPECIFIED:	OWN: B. CARBO 19AUG2010	NAME: IMPACT, STD, R/A, 6 PAIR, 14 COLUMN, DAUGHTERCARD, RIGHT GUIDED SIGNAL MODULE, 0.39 EYELET
mm	0 PLC ±0.2	CHK: D. DIXON 19AUG2010	PRODUCT SPEC
	1 PLC ±0.10	APVD: D. DIXON 19AUG2010	APPLICATION SPEC
	2 PLC ±0.25		SIZE: CAGE CODE: DRAWING NO: RESTRICTED TO
	3 PLC ±0.50		WEIGHT: A100779C=2057990
	4 PLC ±1.00		Customer Drawing
	5 PLC ±1.50		SCALE: 5:1 SHEET 1 OF 1 REV E
	6 PLC ±2.00		
	7 PLC ±3.00		
	8 PLC ±4.00		
	9 PLC ±5.00		
	10 PLC ±6.00		
	11 PLC ±8.00		
	12 PLC ±10.00		
	13 PLC ±15.00		
	14 PLC ±20.00		
	15 PLC ±25.00		
	16 PLC ±30.00		
	17 PLC ±40.00		
	18 PLC ±50.00		
	19 PLC ±60.00		
	20 PLC ±80.00		
	21 PLC ±100.00		

单击下面可查看定价，库存，交付和生命周期等信息

[>>TE Connectivity\(泰科\)](#)