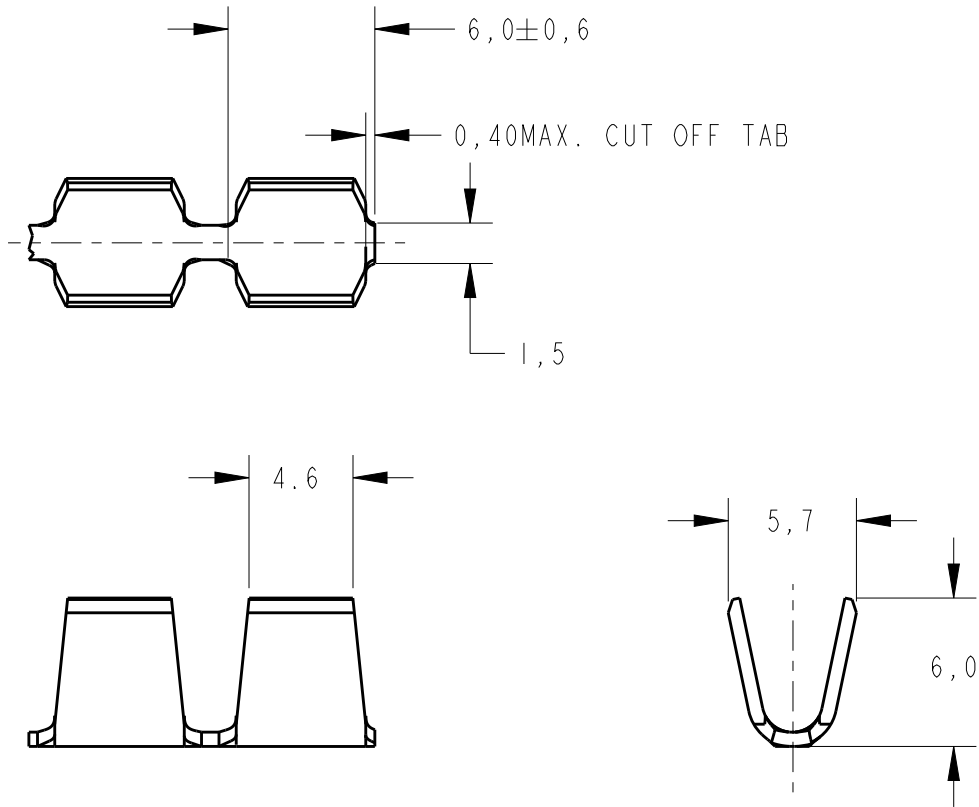

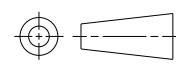


LOC	DIST	REVISIONS			
P	LTR	DESCRIPTION	DATE	DWN	APVD
AP	-				
	B	REDRAW BY ECO-06-013605	09AUG2006	HC	WLS
	BI	REV. BY ECO 17-012248	21AUG2017	HC	WLS



OBSOLETE	TIN PLATED	BRASS	155353-2
	—	BRASS	155353-1
7000/12000CMA	FINISH	MATERIAL	PART NUMBER

DIMENSIONS: mm	DWN H.C. Canteri 09August2006	MATERIAL	FINISH
	CHK W.L. STEFANI 09August2006	-	-
TOLERANCES UNLESS OTHERWISE SPECIFIED:	APVD -	 TE Connectivity	
	PRODUCT SPEC -		
0 PLC ±-	APPLICATION SPEC -	SIZE	RESTRICTED TO
1 PLC ±0,3		A4	-
2 PLC ±-	WEIGHT -	CAGE CODE	-
3 PLC ±-		DRAWING NO	-
4 PLC ±-		C-155353	-
ANGLES ±-			
		SCALE	REV
Customer Drawing		5/1	B1

RELEASED FOR PUBLICATION

ALL RIGHTS RESERVED.

THIS DRAWING IS UNPUBLISHED.

© COPYRIGHT copyright_dBTe -

单击下面可查看定价，库存，交付和生命周期等信息

[>>TE Connectivity\(泰科\)](#)