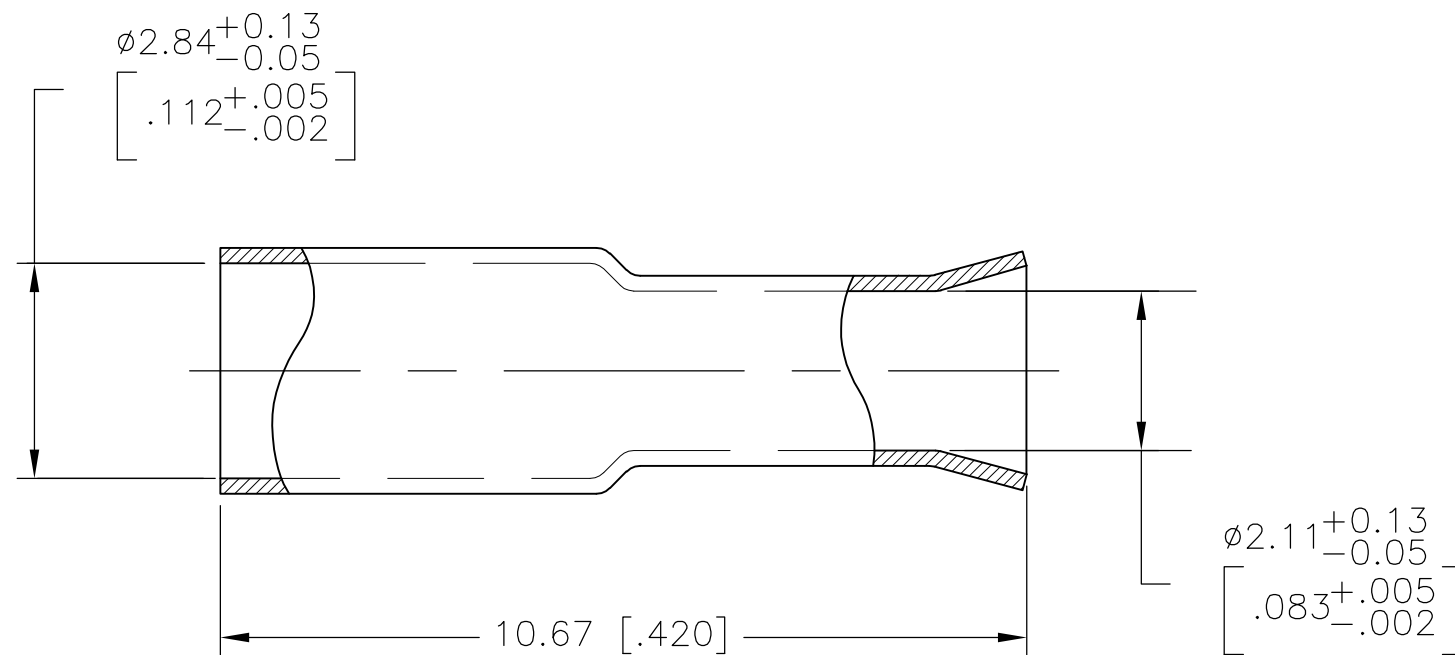


THIS DRAWING IS UNPUBLISHED. RELEASED FOR PUBLICATION
 © COPYRIGHT BY TYCO ELECTRONICS CORPORATION. ALL INTERNATIONAL RIGHTS RESERVED.

| | | | | | | | |
|-----|------|-----------|-----|---------------------------|---------|-----|------|
| LOC | DIST | REVISIONS | | | | | |
| AJ | 16 | P | LTR | DESCRIPTION | DATE | DWN | APVD |
| | | L | | REVISED PER ECO-10-008433 | 20MAY10 | HMR | KW |



- 1 COPPER ALLOY
- 2 SILVER PL PER QQ-C-365.
5.08|m [.000200] MIN THICKNESS
- 3 TIN LEAD PL PER ASTM-B-545
0.76|m [.000030] MIN THICKNESS

| | | |
|----------|---|-------------|
| OBSOLETE | 3 | 2-328667-6 |
| | 2 | 328667 |
| FINISH | | PART NUMBER |

| | | | | | | | | |
|--|--|---------------------|-------------|---------|---|-----------|------------|---------------|
| THIS DRAWING IS A CONTROLLED DOCUMENT. | | DWN | S.D.KOHL | 4-15-91 | Tyco Electronics Corporation Harrisburg, PA 17105-3608 | | | |
| DIMENSIONS: mm [INCHES] | | CHK | M.E. COWHER | 5-14-91 | NAME FERRULE | | | |
| TOLERANCES UNLESS OTHERWISE SPECIFIED: | | APVD | M. PHILLIPS | 5-16-91 | PRODUCT SPEC | --- | | |
| 0 PLC ± - | | APPLICATION SPEC | --- | | SIZE | CAGE CODE | DRAWING NO | RESTRICTED TO |
| 1 PLC ± - | | WEIGHT | - | | A3 | 00779 | C-328667 | --- |
| 2 PLC ± 0.38 [.015] | | CUSTOMER DRAWING | | SCALE | 10:1 | SHEET | 1 OF 1 | REV |
| 3 PLC ± - | | | | | | | | L |
| 4 PLC ± - | | | | | | | | |
| ANGLES ± - | | | | | | | | |
| MATERIAL SEE NOTES | | FINISH SEE NOTES | | | | | | |

单击下面可查看定价，库存，交付和生命周期等信息

[>>TE Connectivity\(泰科\)](#)