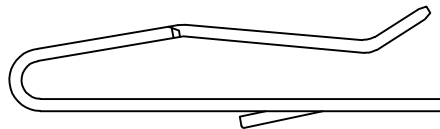
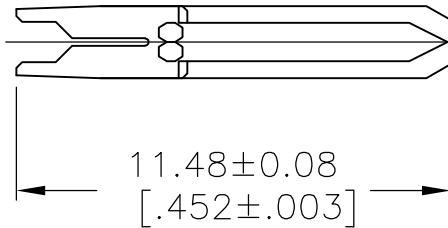


LOC	DIST	REVISIONS					
CM	00	P	LTR	DESCRIPTION	DATE	DWN	APVD
		M		REVISED PER ECR-17-018816	05APR2018	BDA	SG

DIMENSION IN BRACKET ARE IN INCHES.

 OBSOLETE PARTS



 SUPERSEDED

TIN	640639-2
TIN-LEAD	640639-1
FINISH	PART NO


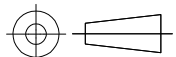
RELEASED FOR PUBLICATION

ALL RIGHTS RESERVED.

BY TYCO ELECTRONICS CORPORATION.

© COPYRIGHT

THIS DRAWING IS UNPUBLISHED.

DIMENSIONS: mm [INCHES]	DWN	BSV	25OCT2005	MATERIAL	0.30[.012] THK COPPER ALLOY	FINISH	MATTE TIN OR BRIGHT TIN LEAD 0.00203[.000080] MIN THK				
	CHK	D. BOSSI	25OCT2005	 Tyco Electronics Corporation Harrisburg, PA 17105-3608							
TOLERANCES UNLESS OTHERWISE SPECIFIED:	APVD	D. BOSSI	25OCT2005								
0 PLC ± -	PRODUCT SPEC	NAME CONTACT, LOOSE PIECE, 28 AWG WIRE, MTA-100									
1 PLC ± -	APPLICATION SPEC										
2 PLC ± -	WEIGHT	SIZE A4 CAGE CODE 00779 DRAWING NO C-640639				RESTRICTED TO					
3 PLC ± -						-					
4 PLC ± -											
ANGLES ± -											
		CUSTOMER DRAWING				SCALE	5:1	SHEET	1 OF 1	REV	M

单击下面可查看定价，库存，交付和生命周期等信息

[>>TE Connectivity\(泰科\)](#)