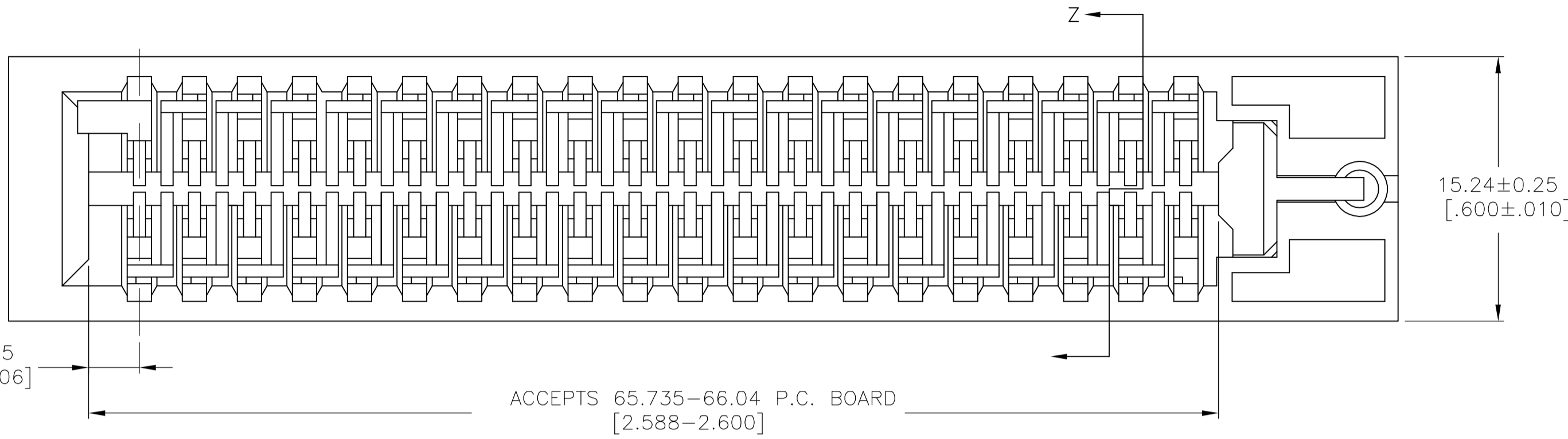


PART NO	COLUMN NO	ROW NO																			
		0	0	0	0	0	0	0	0	0	0	0	1	1	1	1	1	1	1	1	1
650281-1 & 5-650281-1	3	2																		2	X
	2	1																			1
	1	1																			1
	0	X	2																		2

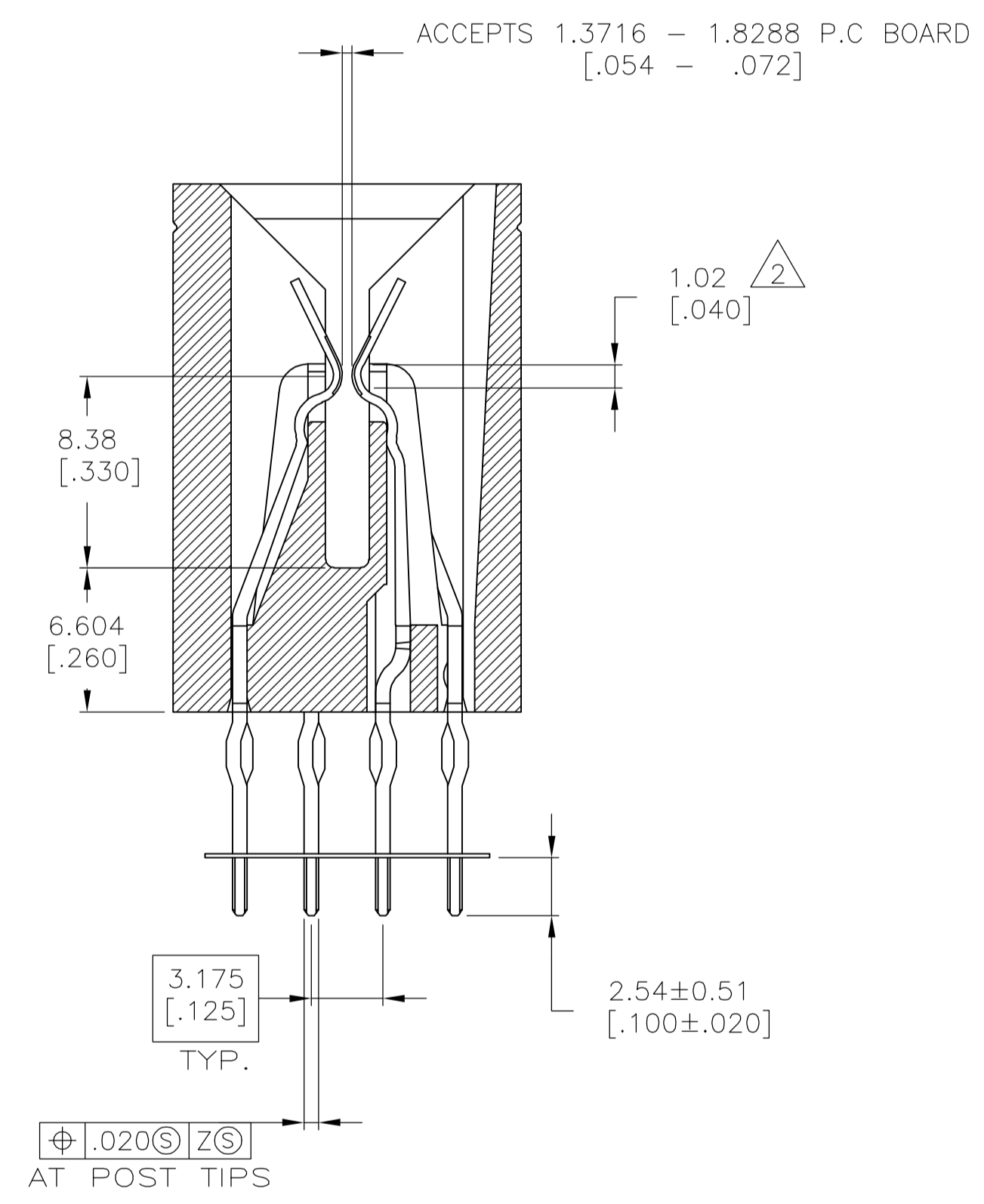
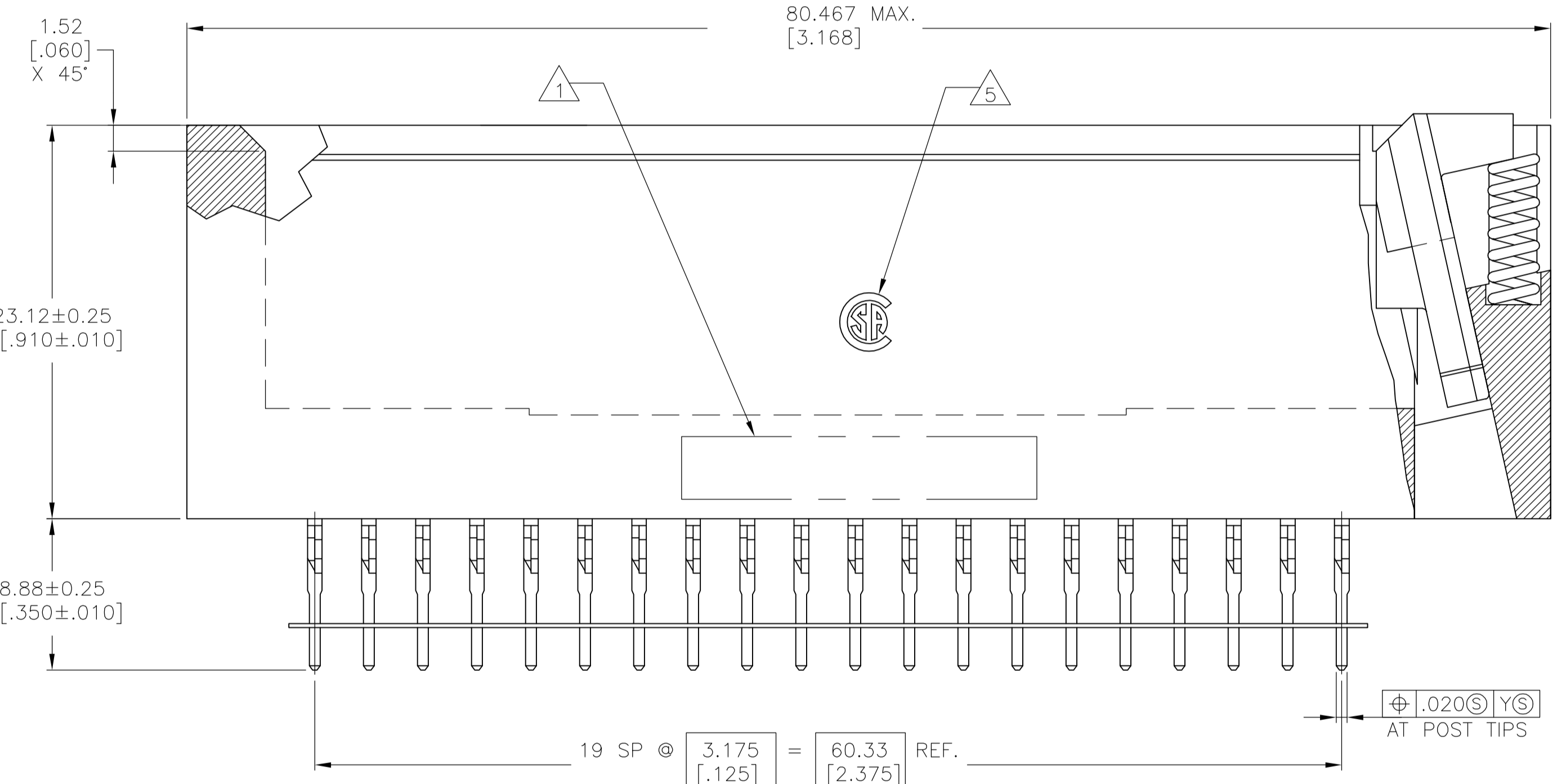
- 1 AMP, PART NUMBER AND DATE CODE MARKED IN APPROXIMATE AREA SHOWN.
- 2 GOLD PL .000030 MIN. THK. OVER .040 WIDE BAND, SOLDER PL .000030 MIN. THK. ON POSTS, NICKEL UNDERPLATE .000150 MIN. THK. ALL OVER
- 3 HOUSING - POLYESTER MOLDING COMPOUND, VALOX 420-SEO COLOR: BLACK
WEDGE - POLYESTER MOLDING COMPOUND, VALOX 420-SEO COLOR: BLACK
COIL SPRING - STAINLESS STEEL
LOCATING STRIP - POLYESTER
INNER CONTACT - COPPER ALLOY 725
OUTER CONTACT - COPPER ALLOY 725



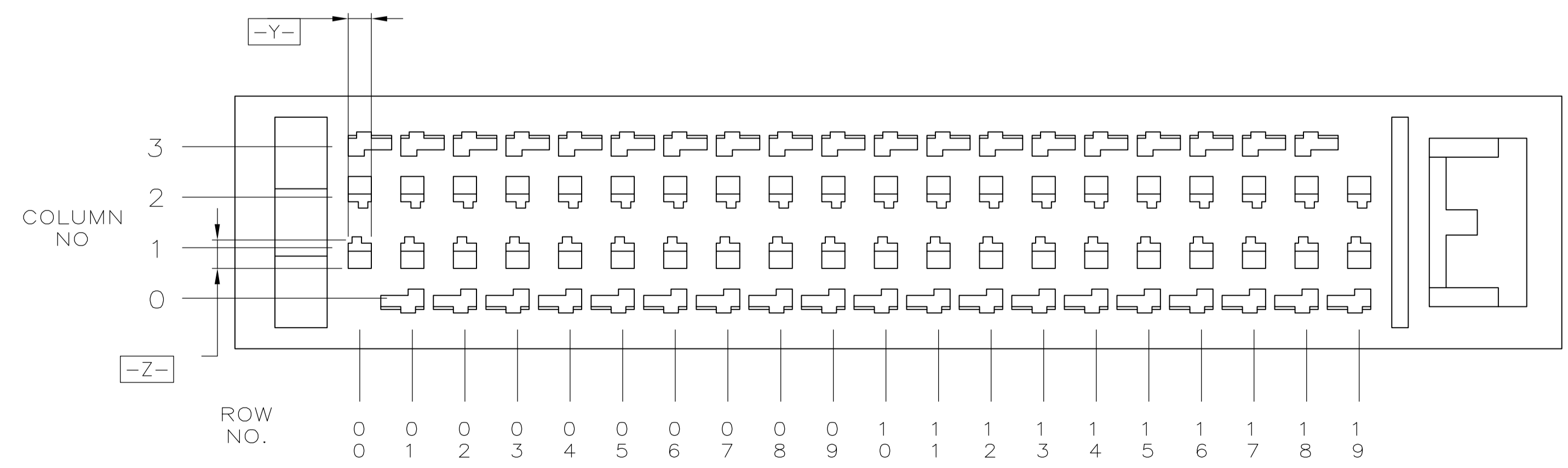
4. REQUIRED HOLE DIAMETER TOLERANCES

HOLE DIA ±.001	PLATING THICKNESS		HOLE DIA		COPPER HARDNESS KNOOP	PAD DIA MIN
	COPPER	TIN LEAD	AFTER PLATING	AFTER REFLOW		
.0453	.001-.003	.0003 MIN	.037-.043	.036-.043	150 MAX	.062
.0453	NOT PLATED THRU					.065

- 5 CSA LOGO MARKED IN APPROXIMATE AREA AS SHOWN.
- 6 GOLD PL .000030 MIN. THK. OVER .040 WIDE BAND, MATTE TIN PL .000030 MIN. THK. ON POSTS, NICKEL UNDERPLATE .000150 MIN. THK. ALL OVER



SECTION Z-Z
ROTATED 90° CW



SEE CONTACT LOADING CHART

3 SHORTING	2 OUTER	1 INNER	MARKING	5-650281-1 650281-1
CONTACT FINISH				PART NO
THIS DRAWING IS A CONTROLLED DOCUMENT.		DIN C. PIERCE 4/89	Tyco Electronics Corporation Harrisburg, Pa 17105-3608	
DIMENSIONS: mm [INCHES]	TOLERANCES UNLESS OTHERWISE SPECIFIED:	APVD	NAME	
0 PLC ± -	1 PLC ± -	PRODUCT SPEC	39 DUAL 78 POSN, CONNECTOR ASSY, TELEDENSITY	
2 PLC ± -	3 PLC ± -	APPLICATION SPEC	SIZE	CAGE CODE DRAWING NO
4 PLC ± -	ANGLES ± -	WEIGHT	A1	00779 C=650281
MATERIAL	FINISH	CUSTOMER DRAWING	SCALE 4:1	SHEET 1 OF 1 REV D

单击下面可查看定价，库存，交付和生命周期等信息

[>>TE Connectivity\(泰科\)](#)