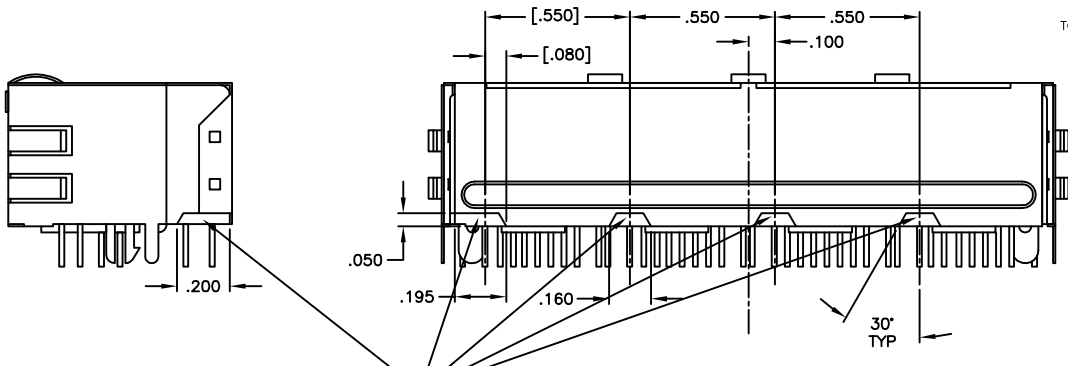
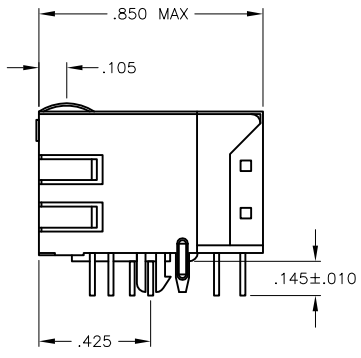
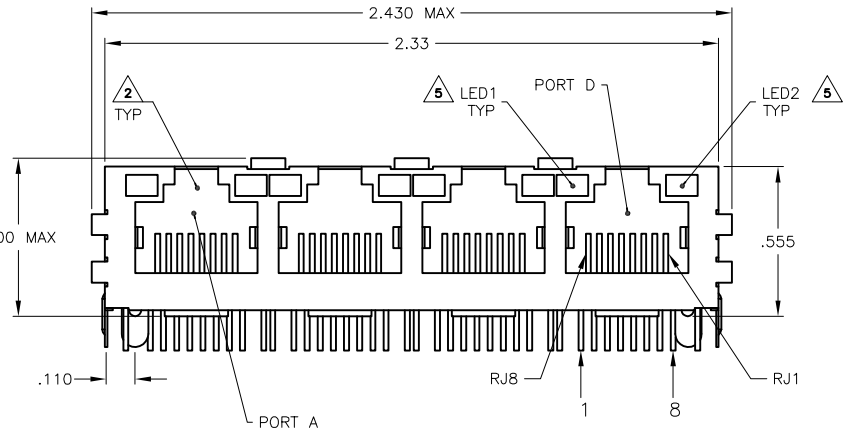
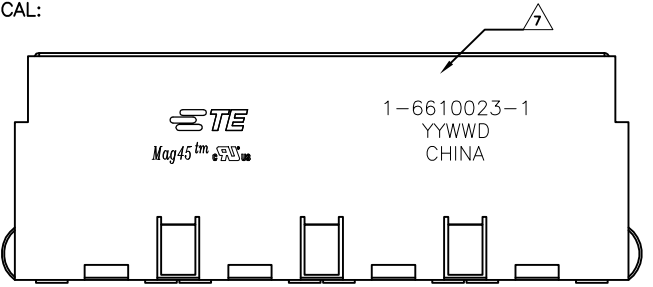
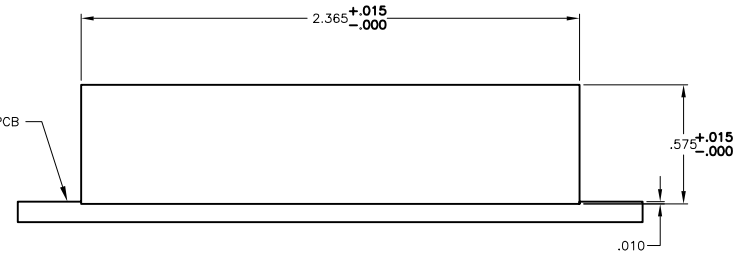


MECHANICAL:



NOTCHES IN THE REAR SIDE OF SHIELD
 ONLY PRESENT AT 6610023-1 & 1-6610023-1

- 1 MATERIALS:
 -HOUSING - THERMOPLASTIC PET POLYESTER FLAMMABILITY RATING UL 94V-0.
 -SHIELD - 0.010" THICK, C26800 BRASS PREPLATED WITH 30μINCH MIN SEMI-BRIGHT NICKEL.
 -SOLDER TABS POST DIPPED WITH 100μINCH MIN SAC SOLDER.
 -MOD JACK CONTACTS - 0.0157" X 0.018" PHOSPHOR BRONZE, 50μINCH MIN OVERALL NICKEL UNDERPLATE WITH SELECT 50μINCH MIN HARD GOLD FINISH PLATE. SOLDER TAILS WITH 100μINCH MIN MATTE TIN AND/OR SAC SOLDER DIP.
 -LIGHT EMITTING DIODE(LED) - DIFFUSED EPOXY LENS, 0.020" X 0.020" CARBON STEEL WIREFRAME LEADS PRE-PLATED WITH 80μINCH SILVER OVER 40μINCH NICKEL UNDERPLATE OVER 40μINCH COPPER UNDERPLATE. POST-PLATED WITH 100μINCH MIN MATTE TIN AND/OR SAC SOLDER DIP OR PURE TIN SOLDER DIP.
- 2 RJ45 JACK CAVITY CONFORMS TO FCC RULES AND REGULATIONS PART 68, SUB PART F.
- 3 MAGNETICS
 -IMPEDANCE: 100 OHMS
 -TURNS RATIO (CHIP-CABLE): TX = 1:1, RX = 1:1
 -OPEN CIRCUIT INDUCTANCE (OCL): 350μH MIN @100KHz, 0.1VRMS, 8mADC BIAS FROM -40°C TO +85°C, TX AND RX
 -PERFORMANCE @ 25°C:
 INSERTION LOSS (IL): 1.1dB MAX FROM 0.5MHz TO 100MHz
 RETURN LOSS (RL): 18dB MIN FROM 0.5MHz TO 30MHz
 18-20LOG(f/30)dB MIN FROM 30.1MHz TO 60MHz
 12dB MIN FROM 60.1MHz TO 80MHz
 CROSSTALK ATTENUATION: 35dB MIN FROM 0.5MHz TO 40MHz
 33-20*LOG(f/50)dB MIN FROM 40.1MHz TO 100MHz
 COMMON MODE REJECTION RATIO (CMRR): 30dB MIN FROM 0.5MHz TO 100MHz
 -ISOLATION VOLTAGE: 2250VDC (MAX) FOR 60 SECONDS WITH A RISE TIME OF 500V/SEC AND WITH ALL PORTS CONNECTED.
4. OPERATING TEMPERATURE: FROM -40°C TO +85°C.
- 5 THE LED WITH 250 OHM RESISTORS, LED IS DRIVEN WITH 5V VOLTAGE AND THE MAX OPERATING CURRENT IS 20mA.
 LED COLOR-DOMINANT WAVELENGTH(λD): GREEN 568nm TYP. AT VF=5V
 FORWARD CURRENT (IF): GREEN 12 mA TYP. AT VF=5V
 DOMINANT WAVELENGTH (λD): YELLOW 588nm TYP. AT VF=5V
 FORWARD CURRENT (IF): YELLOW 13 mA TYP. AT VF=5V
- 6 INDICATED CONNECTIONS ARE FOR NIC CONFIGURATION. THE MAGNETICS ARE SYMMETRICAL AND SUPPORT AUTO-MDI/MDIX.
- 7 TE CONNECTIVITY LOGO, PART NUMBER, DATE CODE, COUNTRY OF ORIGIN AND AGENCY APPROVAL MARKING IN APPROXIMATE LOCATION SHOWN.
8. THESE PARTS ARE RECOMMENDED FOR WAVE SOLDERING PROCESS, PEAK WAVE SOLDERING TEMPERATURE IS 265°C MAX, 10 SECONDS MAX.



1X4 SUGGESTED PANEL CUTOUT

| | | | | |
|-----|-----|-------|--------|-------------|
| NO | YES | GREEN | YELLOW | 5-6610023-1 |
| NO | YES | GREEN | GREEN | 6-6610023-1 |
| YES | NO | GREEN | GREEN | 1-6610023-1 |
| YES | NO | GREEN | YELLOW | 6610023-1 |

| | | | | |
|---------------------|--------------------------|------|------|-------------|
| 5 NOTCHES IN SHIELD | 2KV DECOUPLING CAPACITOR | LED1 | LED2 | PART NUMBER |
|---------------------|--------------------------|------|------|-------------|

THIS DRAWING IS A CONTROLLED DOCUMENT.

| | | | |
|--------|------------------|------|--|
| REV. 1 | VARIES - DISCREP | DATE | |
| 2 | PAROLE | | |
| 3 | PAROLE | | |
| 4 | PAROLE | | |
| 5 | PAROLE | | |

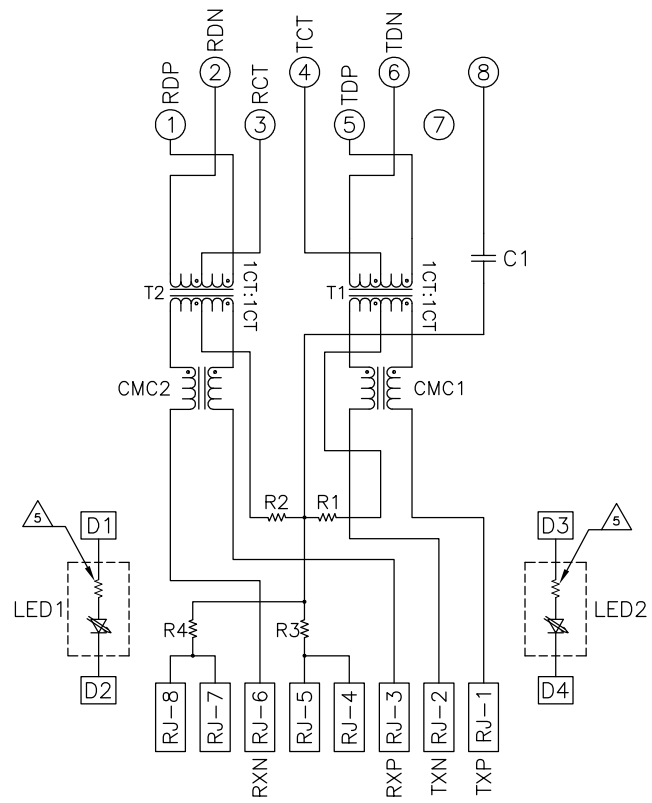
DATE: 108-2100

1X4 MAG45™ MODULAR JACK, 7N2ET INDUSTRIAL TEMP SCHEMATIC, 28 SERIES CIRCUIT, SHIELDED, WITH RESISTOR LEADS

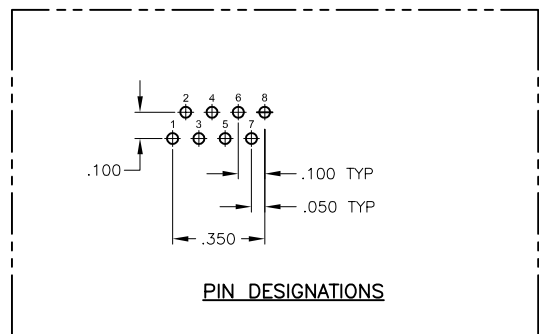
SCALE: 4:1

CUSTOMER DRAWING

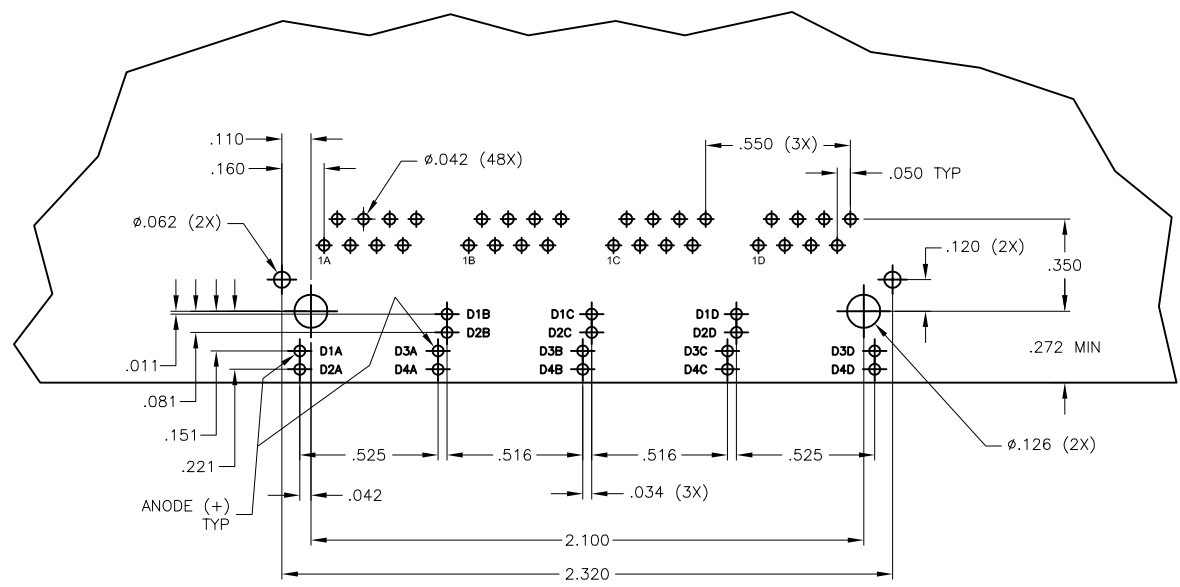
726ET SERIES MAGNETIC CIRCUIT



R1-R4 = 75 OHMS, 1/16W RESISTORS
 C1 = 1000 pF, 2KV CAPACITOR



PIN DESIGNATIONS



SUGGESTED PCB LAYOUT
 (Component Side)

| | | | | | | | |
|--|--|------|-----------|---|-------|-------|-----|
| THIS DRAWING IS A CONTROLLED DOCUMENT. | | REV | DATE | DESCRIPTION | BY | CHK | APP |
| DRAWN BY: [Symbol] | | 1 | AA | 1X4 MAC45(TM) MODULAR JACK, 726ET INDUSTRIAL TEMP SCHEMATIC, 26 SERIES CIRCUIT, SHIELDED, WITH RESISTOR LEADS | | | |
| CHECKED BY: [Symbol] | | 2 | | | | | |
| DESIGNED BY: [Symbol] | | 3 | | | | | |
| MATERIAL: [Symbol] | | 4 | | | | | |
| FINISH: [Symbol] | | 5 | | | | | |
| CUSTOMER DRAWING | | SIZE | CAGE CODE | ISSUED TO | SCALE | SHEET | OF |
| | | A1 | 00779 | 6610023 | 4:1 | 2 | 2 |

单击下面可查看定价，库存，交付和生命周期等信息

[>>TE Connectivity\(泰科\)](#)