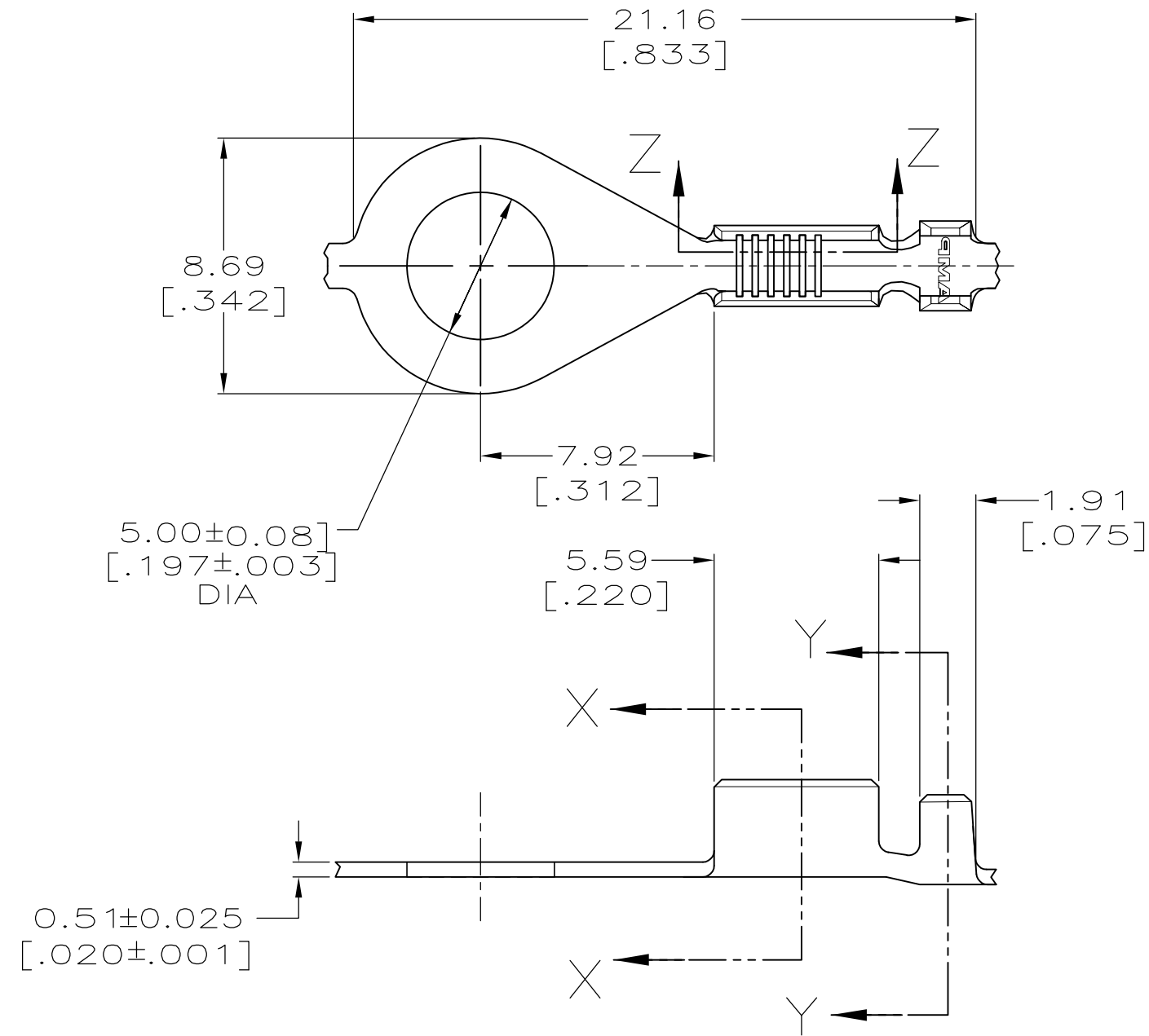
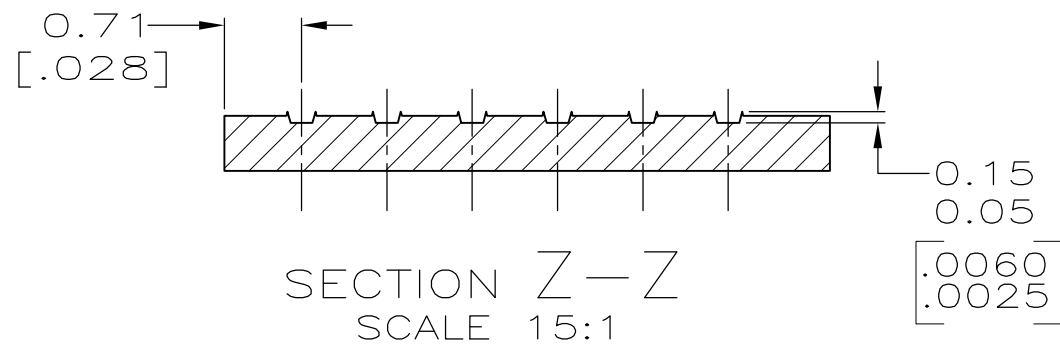
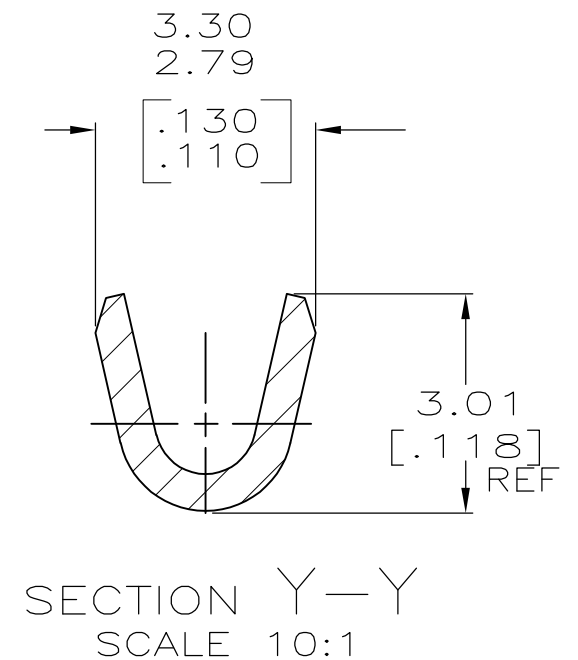
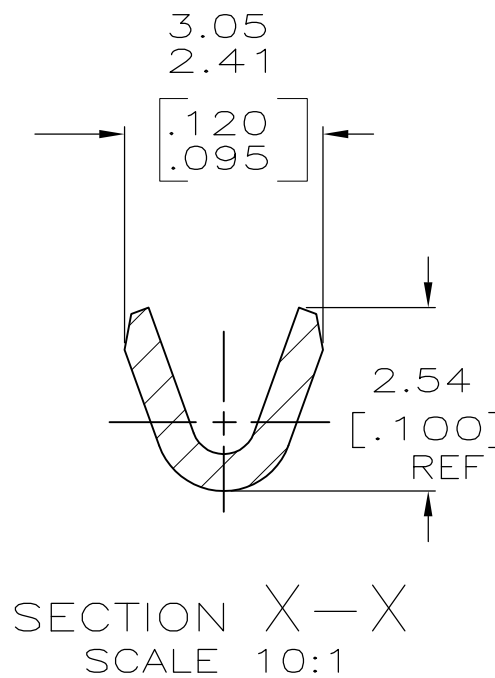


P	LTR	DESCRIPTION	DATE	DWN	APVD
	D	REVISE PER ECR-13-013738	15FEB2015	GRZ	JL



- 1 CONTINUOUS STRIP ON REELS WITH TERMINALS LOCATED ON 22.94 [.903] CENTERS.
- 2 WIRE SIZE IS [#29-#22] MAGNET WIRE
- 3 INSULATION RANGE IS 1.02-1.52 [.040-.060]. DIA



63399-1
PART NO.

THIS DRAWING IS A CONTROLLED DOCUMENT.		DWN JR RUTH 06AUG99	AMP AMP Incorporated Harrisburg, PA 17105-3608	
DIMENSIONS: MM [INCHES]		CHK MS FEHER 06AUG99		
TOLERANCES UNLESS OTHERWISE SPECIFIED:		APVD D DECKER 06AUG99	NAME	
0 PLC ±-		PRODUCT SPEC		
1 PLC ±-		-		
2 PLC ±0.25 [.010]		APPLICATION SPEC		
3 PLC ±-		-		
4 PLC ±-		-		
ANGLES ±-		-		
MATERIAL BRASS		FINISH 0.002032 [.000080] MIN TIN	WEIGHT -	SIZE A3
		CAGE CODE 00779		DRAWING NO C- 63399
		CUSTOMER DRAWING		RESTRICTED TO -
		SCALE 5:1	SHEET 1 OF 1	REV D

单击下面可查看定价，库存，交付和生命周期等信息

[>>TE Connectivity\(泰科\)](#)