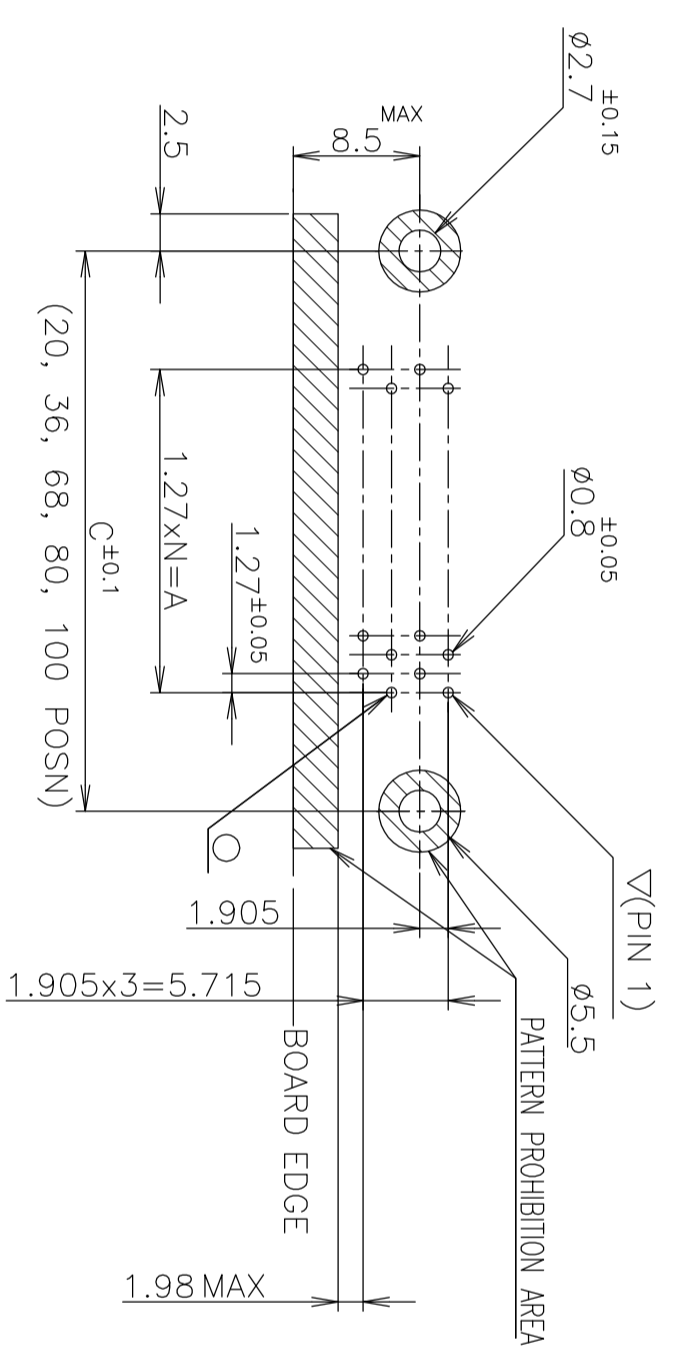
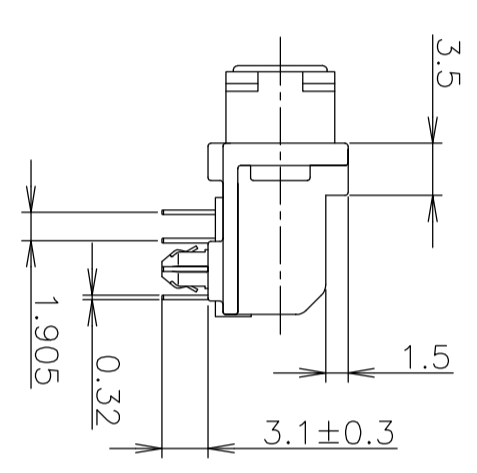
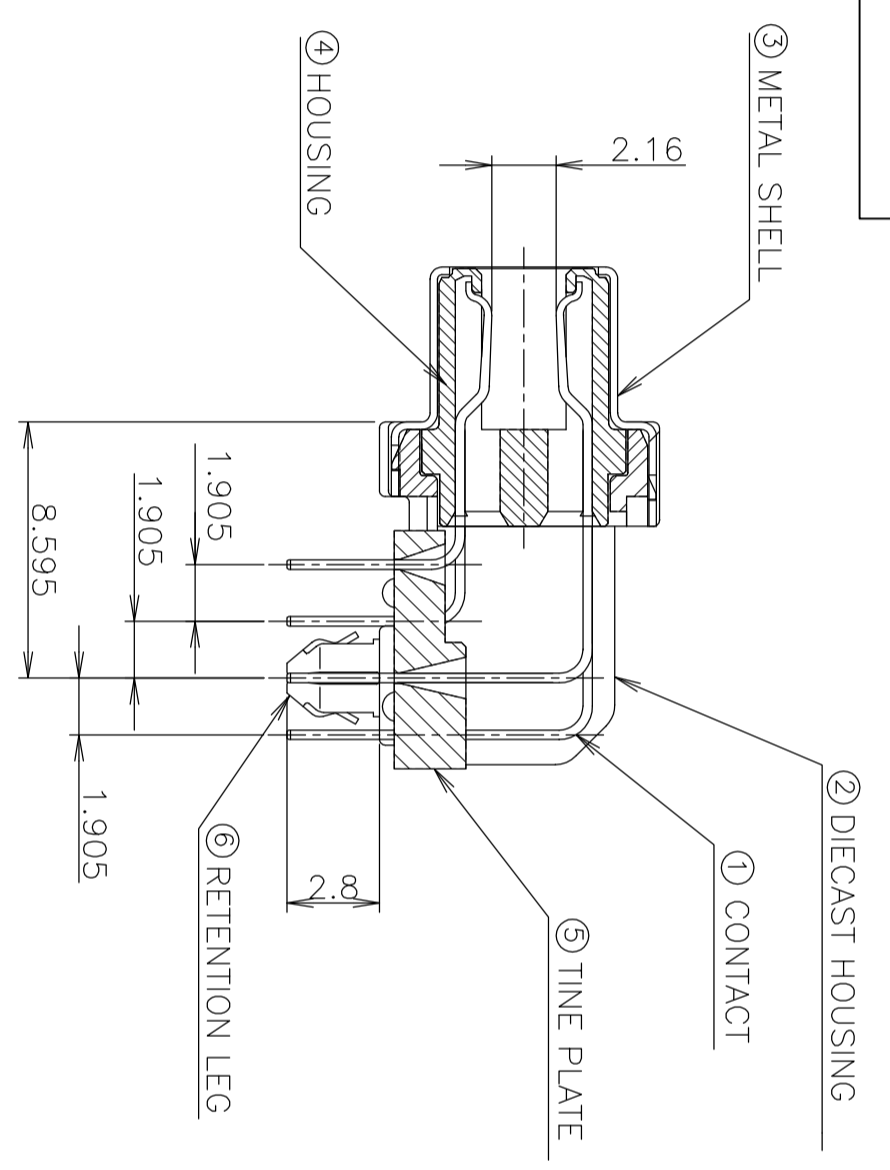


RECOMMENDED PANEL CUTOUT  
 THK. 2mm MAX



RECOMMENDED PC BOARD MOUNTING DIMENSION  
 (COMPONENT SIDE)

LEAD FREE

LOC	DIST	REVISIONS	DATE	DMN	APRD
J					
		DESCRIPTION			
		REV PER ECR-06-023863	1SEP06	S.L	S.Y

ITEM	MATERIAL	FINISH
①	COPPER ALLOY	NICKEL UNDER PLATE ALL OVER CONTACT AREA : Au(0.3u, 0.76u) SOLDER TINE AREA : TIN PLATE
②	ZINC	NICKEL PLATING
③	STEEL t0.25	NICKEL PLATE OVER COPPER UNDERPLATE
④	THERMO-PLASTIC(UL:94V-0)	COLOR: BLACK
⑤		
⑥	COPPER ALLOY	TIN PLATE OVER NICKEL UNDERPLATE

- NOTES:
- RECOMMENDED SCREW SIZE : M2.6 PANHEAD SCREW(L=5)
  - RECOMMENDED P.C BOARD THICKNESS : 1.6mm (REF)
  - CONNECTOR TO BE MATED:175677
  - INSERTION FORCE OF RETENTION LEG TO P.C.B: 21.56N(2.2kgf) MAX/CONNECTOR.
  - RETENTIVITY OF RETENTION LEG TO P.C.B: 4.9N(0.5kgf) MIN/CONNECTOR.

	N	F	E	D	C	B	A	Au P.LT.	POSITION	CONNECTOR P./N
17	33.9	33.61	43.51	37.61	26.59	21.59	0.76mm	36	2-5178238-5	
N										

THIS DRAWING IS A CONTROLLED DOCUMENT.

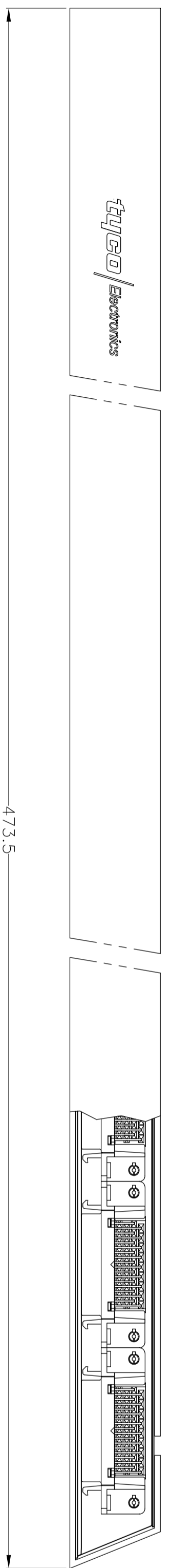
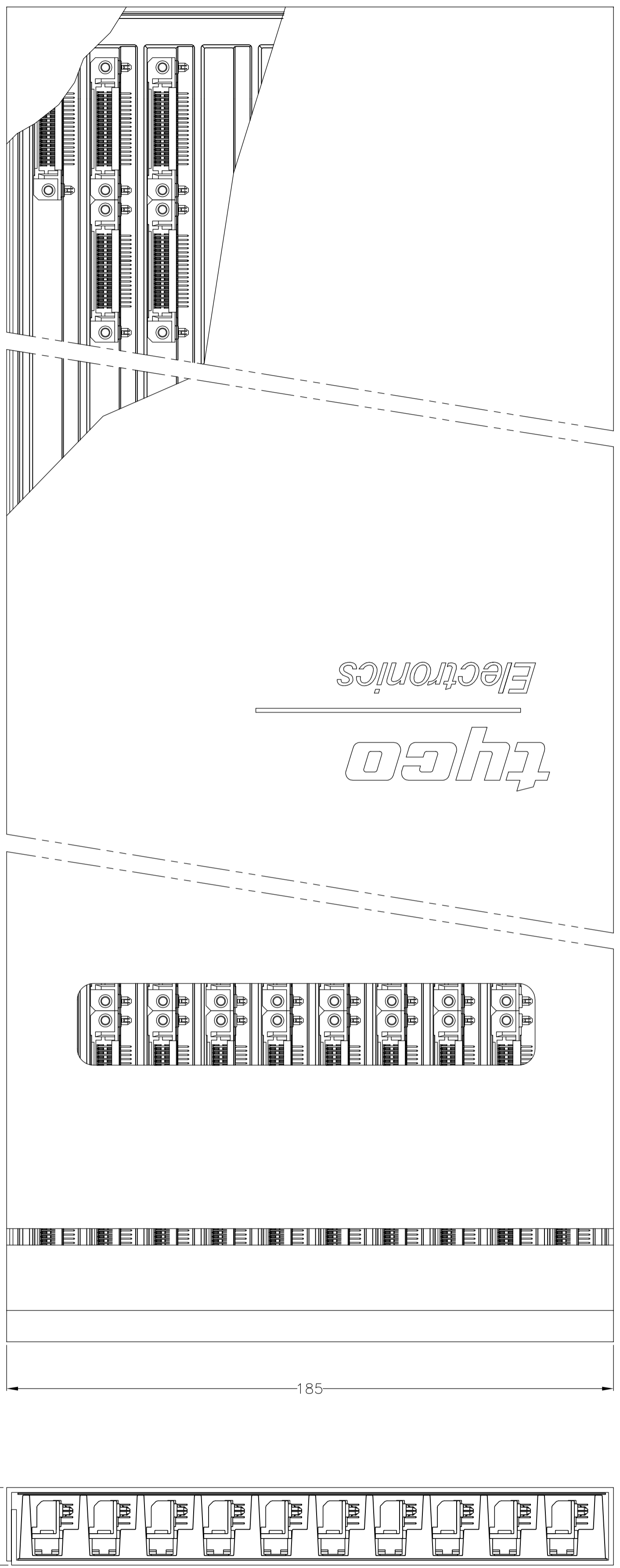
DMN	SIMON.LI	1SEP06	
CHK	GAVIN.ZHANG	1SEP06	
APRD	STEVEN.YAO	1SEP06	

Product Name: **tyco** Tyco Electronics AMP K.K.  
 Kawasaki, Japan

RECEPTACLE HDR ASSY (3.1mm)  
 RETENTION LEG TYPE  
 STANDARD CHAMP.050 SERIES (II)

SIZE	A2	DATE	00779
WEIGHT		SCALE	N/A
CUSTOMER DRAWING		RESTRICTED	

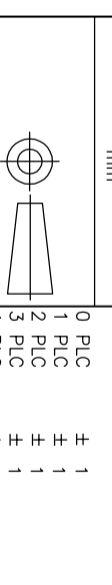
LOC		DIST		REVISIONS			
P	LR	DESCRIPTION	DATE	OWN	APPD		
-	-	SEE SHEET 1	-	-	-	-	-



1939951

THIS DRAWING IS A CONTROLLED DOCUMENT.

DIMENSIONS:	TOLERANCES UNLESS OTHERWISE SPECIFIED:
mm	0 P/C ± .1
	1 P/C ± .1
	2 P/C ± .1
	3 P/C ± .1
	4 P/C ± .1
	ANGLES ± .1
	FINISH ±



QTY	100/TRAY	TRAY	2-5178238-5	2-1939951-5
DESCRIPTION	QUANTITY PER PACKAGE	PACKING	CONNECTOR P/N	PART NUMBER

DMN	SIMON,LI	1SEP06	
CHK	GAVIN,ZHANG	1SEP06	
APPD	STEVEN,YAO	1SEP06	
NAME	Tyco Electronics AMP K.K. Kawasaki, Japan		

PRODUCT SPEC	108-5288	RECEPTACLE HDR ASSY (3.1mm)
APPLICATION SPEC		RETENTION LEG TYPE
		STANDARD CHAMP.050 SERIES (II)

SIZE	A2	CODE	00779	DRAWING NO	1939951	RESTRICTED TO
WEIGHT		SCALE	N/A	SHEET	2 OF 2	REV
CUSTOMER DRAWING						0

单击下面可查看定价，库存，交付和生命周期等信息

[>>TE Connectivity\(泰科\)](#)