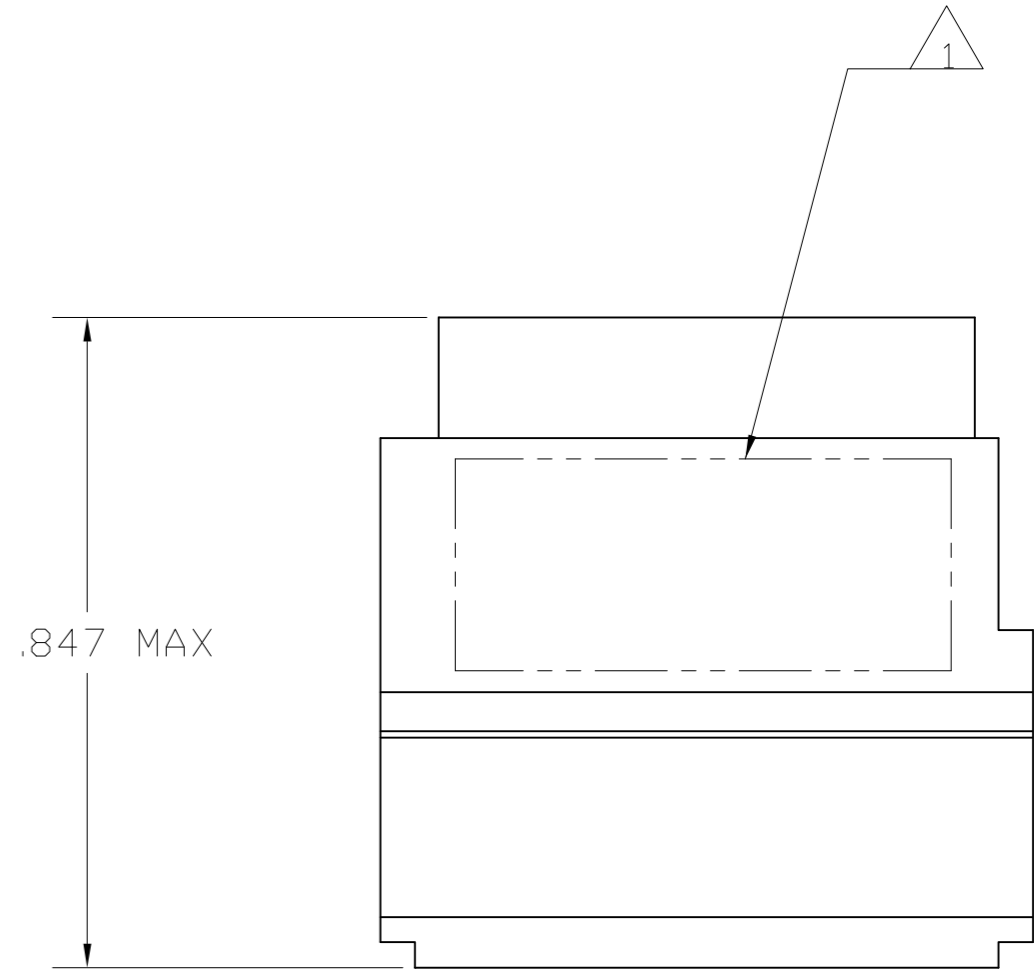
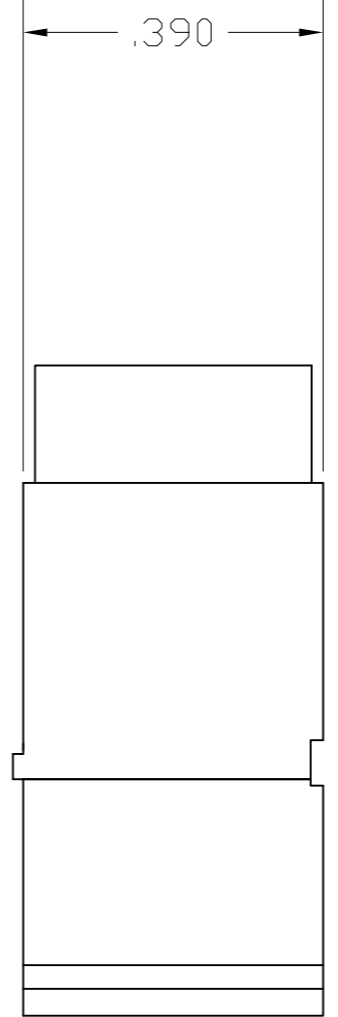
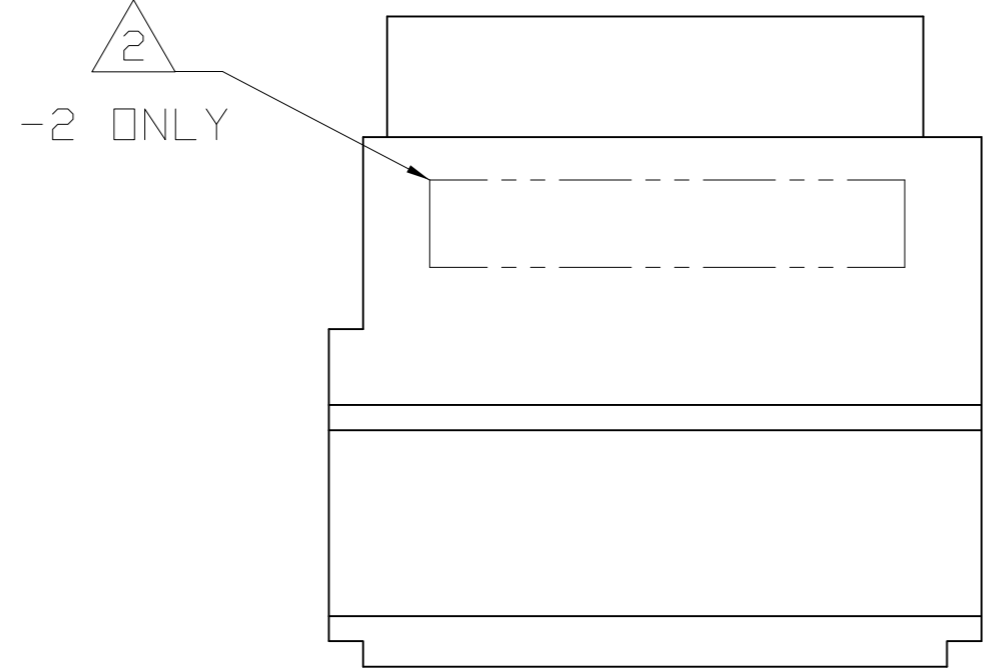
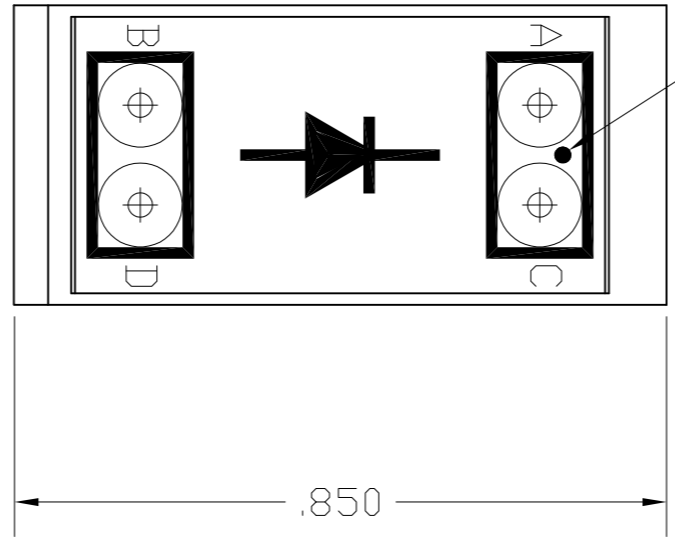


THIS DRAWING IS UNPUBLISHED.		RELEASED FOR PUBLICATION	
© COPYRIGHT BY TYCO ELECTRONICS CORPORATION. ALL RIGHTS RESERVED.			
DESCRIPTION	MATERIAL	FINISH	
MODULE ASSEMBLY	D.A.P. PER MIL-M14	COLOR: GREEN	
GROMMET	FLOURSILICONE 40/50 PER MIL-R-25988	COLOR: GREEN	
CONTACT SOCKET	BERYLLIUM COPPER ASTM-B194	GOLD PLATE PER MIL-G-45204	
RETAINING CLIP	BERYLLIUM COPPER ASTM-B194 OR STAINLESS STEEL PER QQ-S-766	NONE	
DIODE	JANTX1N5552 ³	NONE	
SEALING PLUGS QTY 2	F.E.P. PER MIL-P-19468	COLOR: RED	
PIN CONTACT QTY = 4 P/N M39029/1-101	COPPER ALLOY PER MIL-C-39029	GOLD PLATE PER MIL-G-45204	

LDC		DIST		REVISIONS			
DF	AO	P	LTR	DESCRIPTION	DATE	DWN	APVD
		C		REV PER ECD 08-008633	4-29-08	CT	DE



- ¹ MARK MODULE ASSEMBLY WITH "AMP", AMP PART NO. AND DATE CODE
- ² MARK MODULE ASSEMBLY WITH CUSTOMER PART NO.
- ³ DIODE MAY BE A COMMERCIAL DIODE THAT HAS BEEN SCREENED TO MEET THE REQUIREMENTS OF JANTX1N5552.

JANTX1N5552	525-11207-4	591896-2
JANTX1N5552	-----	591896-1
TYPE	CUSTOMER PART NUMBER	AMP PART NUMBER

THIS DRAWING IS A CONTROLLED DOCUMENT.		DWN N. FRITZ 30AUG00	Tyco Electronics Corporation Harrisburg, PA 17105-3608	
DIMENSIONS INCHES		CHK R. RYAN 1-31-94	NAME	
TOLERANCES UNLESS OTHERWISE SPECIFIED:		APVD R. RYAN 1-31-94	MODULE FEED-BACK ASSEMBLY, SIZE 20, TJ WITH JANTX1N5552 DIODE	
0 PLC ± -		PRODUCT SPEC	SIZE CAGE CODE DRAWING NO RESTRICTED TO	
1 PLC ± -		APPLICATION SPEC	A2 00779 C-591896	
2 PLC ± -		WEIGHT -	SCALE 4: 1 SHEET 1 OF 1 REV C	
3 PLC ± .005		CUSTOMER DRAWING		
4 PLC ± -				
ANGLES ± -				
FINISH				
SEE TABLE				
SEE TABLE				

591896

单击下面可查看定价，库存，交付和生命周期等信息

[>>TE Connectivity\(泰科\)](#)