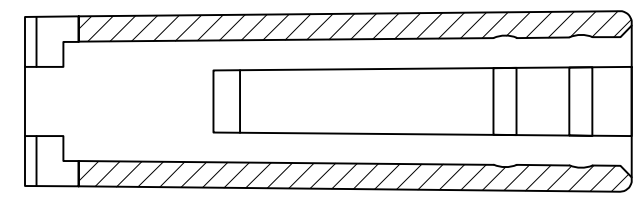


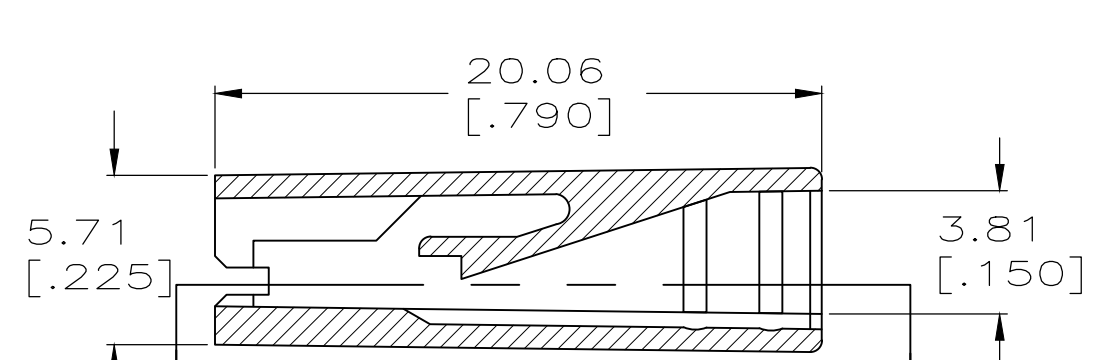
THIS DRAWING IS UNPUBLISHED. RELEASED FOR PUBLICATION
 © COPYRIGHT - By - ALL RIGHTS RESERVED.

LOC	DIST	REVISIONS			
P	LTR	DESCRIPTION	DATE	DWN	APVD
AF	50	L3	REVISED PER ECR-19-018559	13DEC2019	BDA DH

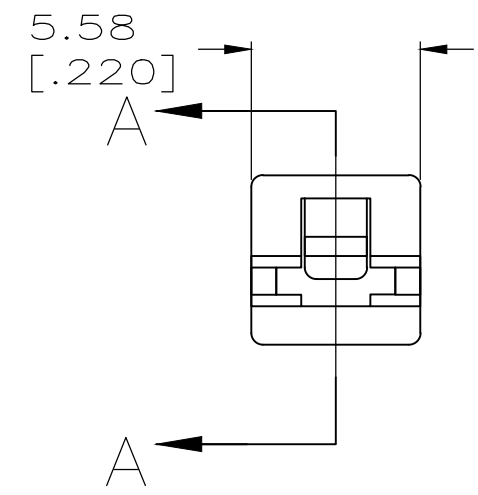
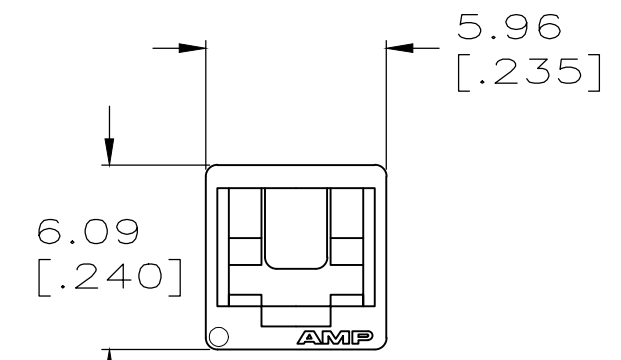
- △1 POLYAMIDE UL94, V2, ACCORDING TO IEC 60335-1 GLOW IWRE.
- △2 PRELIMINARY - NOT FOR PRODUCTION



SECTION B-B



SECTION A-A



NATURAL	△1 NYLON, V2	△2 1-480417-3
NATURAL	NYLON, V0	△2 1-480417-2
BLACK	NYLON, V2	1-480417-1
NATURAL	NYLON, V2	1-480417-0
COLOR	MATERIAL	PART NO.

THIS DRAWING IS A CONTROLLED DOCUMENT.		DWN	JR RUTH	2/8/91	STE TE Connectivity		
		CHK	MS FEHER	2/8/91			
DIMENSIONS: mm [INCHES]		TOLERANCES UNLESS OTHERWISE SPECIFIED:		NAME			
		0 PLC	± -	HOUSING, RECEPTACLE, FASTON, .110 SERIES			
		1 PLC	± -				
MATERIAL		FINISH		APVD		D REINER	
SEE TABLE		SEE TABLE		2/8/91		PRODUCT SPEC	
				APPLICATION SPEC		-	
				WEIGHT		-	
CUSTOMER DRAWING				SIZE	A3	CAGE CODE	00779
				DRAWING NO	C-480417		RESTRICTED TO
				SCALE	4:1	SHEET	1 OF 1
				REV	L3		

单击下面可查看定价，库存，交付和生命周期等信息

[>>TE Connectivity\(泰科\)](#)