

CODE 54 - BRAID TAIL BACKSHELL

203M216-19B08-L

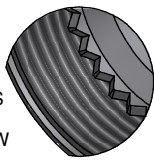
SERIES _____
 ORDER NUMBER (TABLE 1) _____
 MATERIAL _____
 REFER TO CH00-0250-004
 FINISH _____
 REFER TO CH00-0250-004
 ENTRY SIZE (TABLE 2) _____
 MODIFICATION CODE _____
 REFER TO CH00-0250-004 (2)

NOTES:

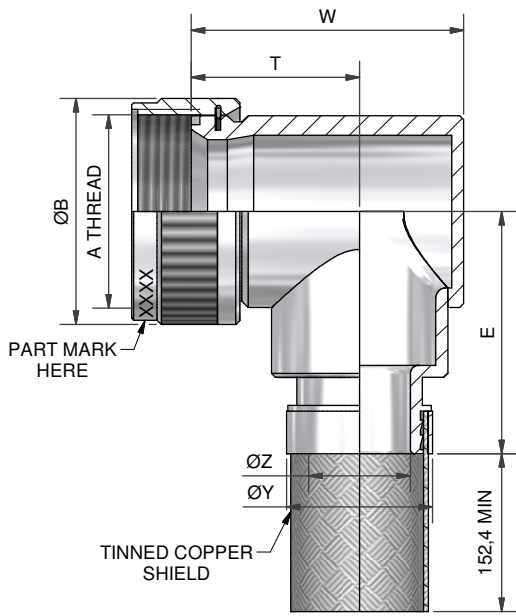
1. THIS PRODUCT IS DESIGNED TO TERMINATE A HEAT SHRINKABLE LIPPED BOOT TO A CONNECTOR.
- (2) FOR ADDITIONAL DIMENSIONS, ORDERING INFORMATION AND MODIFICATIONS, SEE CH00-0250-004
3. BACKSHELL TO BE PERMANENTLY MARKED/BAGGED AND LABELLED WITH CODE IDENTIFICATION NUMBER AND PART NUMBER. (e.g. 06090-203M216-19B08).
- (4) WHEN ENTRY SIZE EXCEEDS "MAX ENTRY", A 2 PIECE BACKSHELL (TYPE 2) IS SUPPLIED.
5. BRAID TERMINATION RING MAY BE SUPPLIED AS TINEL-LOCK SHAPE MEMORY RING AT MANUFACTURERS OPTION.
- (6) BACKSHELL MATES TO MIL-C-81703, SERIES III, MS3424, MS3446, MS3464, MS3467, MS3468, CLASS E & L
- (7) BACKSHELL MATES TO MIL-C-5015G, MS3400 SERIES, CLASS D, E, K, L, U & W, MS3400, MS3401, MS3404, MS3406, MS3450, MS3451, MS3454, MS3456, MS3470, MS3471, MS3472, MS3474, MS3475, MS3476. MIL-C-83723, SERIES II, CLASS A & L. MIL-C-83723, SERIES I & III, CLASS A, G, K, R & S: M83723/1, /2, /3, /4, /5, /6, /7, /8, /13, /14, /36, /37, /38, /40, /41, /42, /43, /48, /49, /65, /66, /67, /68, /69, /70, /71, /72, /73, /74, /75, /76, /77, /78, /82, /83, /84, /85, /86, /87, /91, /92, /95, /97, /98, (MS3155 CONTROLLED INTERFACE).
8. WHEN "L" MODIFICATION IS SPECIFIED, COUPLING NUT SHALL HAVE 3 WIRE HOLES, 120° APART.

| | | | | | | |
|--|---------------------------|--------------------|---|--|---|---|
| DRAWN | K.WINCZURA | DATE 13/02/2015 |  | 3RD ANGLE PROJECTION NOT TO SCALE | TITLE: BRAID TAIL BACKSHELL |  Polamco  <small>connectivity</small> |
| CHECKED | | 13/02/2015 | UNLESS OTHERWISE SPECIFIED ALL DIMENSIONS IN MILLIMETRES GENERAL TOL LINEAR +/-0.25MM ANGULAR +/- 1° | | ASSY USED ON: MIL-DTL-26482 SERIES II / MIL-DTL-83723 SERIES I & III | |
| APPROVED | K.SHEPPARD | 24/02/2015 | | | | |
| APPROVED | H.SMITH | 01/10/2015 | | | | |
| REVISIONS | | | | | | |
| LTR | DESCRIPTION | DATE | APPROVED | | | |
| R | REVISED PER ECO-15-003651 | 10/03/2015 | I.MYONG | | | |
| S | REVISED PER ECO-15-013980 | 01/10/2015 | H.SMITH | | | |
| TE CAGE CODE: 06090 POLAMCO/TE CAGE CODE: U5792 | | | | | TE CONNECTIVITY - POLAMCO LTD RESERVES THE RIGHT TO AMEND THIS DRAWING AND TO INDEP SHOULD IR THEIR APPLICATION. | DRAWING NO: 203M2XX |
| | | | | | DRAWING REV: S | SHT 1 |

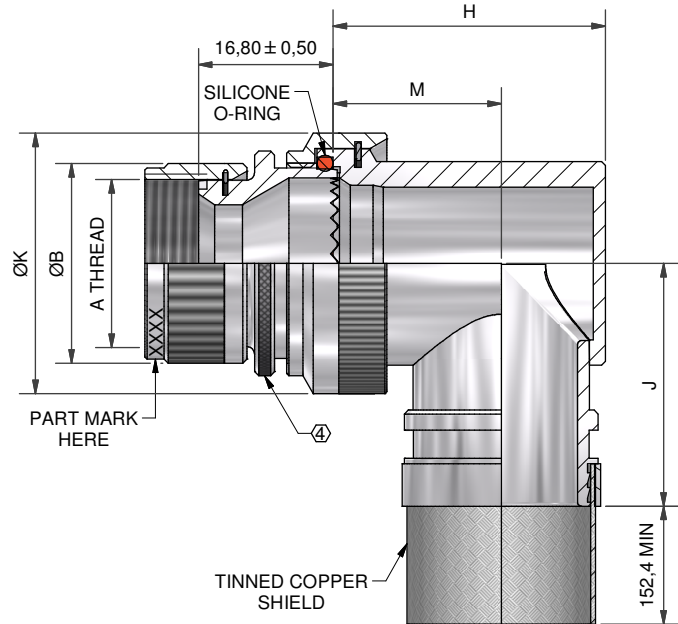
STAINLESS
STEEL
TEETH VIEW



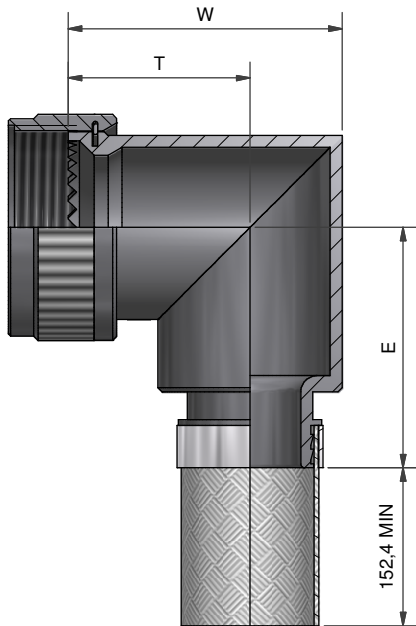
IF MAX ENTRY IS EXCEEDED BACKSHELL
WILL BE SUPPLIED AS TYPE 2



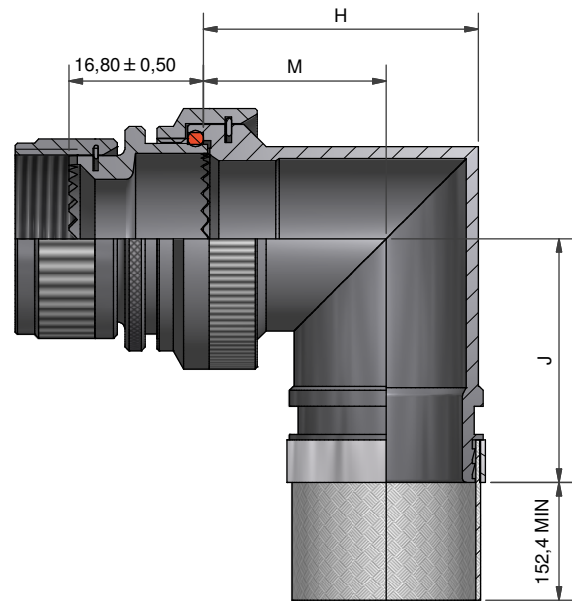
90° BACKSHELL - TYPE 1



90° BACKSHELL - TYPE 2



90° BACKSHELL - TYPE 1
STAINLESS STEEL AND
NICKEL ALUMINIUM BRONZE



90° BACKSHELL - TYPE 2
STAINLESS STEEL AND
NICKEL ALUMINIUM BRONZE

| | | | |
|-----------|---------------------------|------------|------------|
| DRAWN | K.WINCZURA | DATE | 13/02/2015 |
| CHECKED | | DATE | 13/02/2015 |
| APPROVED | K.SHEPPARD | DATE | 24/02/2015 |
| APPROVED | H.SMITH | DATE | 01/10/2015 |
| REVISIONS | | | |
| LTR | DESCRIPTION | DATE | APPROVED |
| R | REVISED PER ECO-15-003651 | 10/03/2015 | I.MYONG |
| S | REVISED PER ECO-15-013980 | 01/10/2015 | H.SMITH |

3RD ANGLE
PROJECTION
NOT TO
SCALE

UNLESS OTHERWISE SPECIFIED
ALL DIMENSIONS IN MILLIMETRES
GENERAL TOL
LINEAR +/-0.25MM
ANGULAR +/- 1°

TITLE:
BRAID TAIL BACKSHELL

ASSY USED ON:
MIL-DTL-26482 SERIES II / MIL-DTL-83723 SERIES I & III



TE CAGE CODE: 06090
POLAMCO/TE CAGE CODE: U5792

TE CONNECTIVITY - POLAMCO LTD RESERVES THE RIGHT TO AMEND THIS DRAWING
AND TO INDEP SHOULD IR THEIR APPLICATION.

Downloaded From Oneyac.com

DRAWING NO: 203M2XX
DRAWING REV: S
SHT 2

THESE DIMENSIONS APPLY IF
BACKSHELL IS STAINLESS STEEL
OR NICKEL ALUMINIUM BRONZE

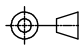
TABLE 1

| ORDER NUMBER | SHELL SIZE | | A THREAD | ØB MAX | MAX ENTRY | W ±0,5 | T ±0,5 | E ±0,5 | W ±0,5 | T ±0,5 | E ±0,5 |
|--------------|------------|---------------|----------------|--------|-----------|--------|--------|--------|--------|--------|--------|
| | ⑥ | ⑦ | | | | | | | | | |
| 03 | 3 | | 9/16-24 UNEF | 17,0 | 04 | 26,4 | 17,8 | 23,8 | 26,3 | 16,0 | 23,8 |
| 08 | | 8 & 8S | 1/2-20 UNF | 15,6 | 04 | 24,5 | 17,5 | 23,8 | 22,4 | 17,5 | 23,8 |
| 10 | 10 | 10, 10S, 10SL | 5/8-24 UNEF | 18,6 | 06 | 26,5 | 17,8 | 25,5 | 25,0 | 18,8 | 25,5 |
| 12 | 7 | 12 & 12S | 3/4-20 UNEF | 21,7 | 08 | 29,0 | 18,7 | 26,5 | 28,3 | 20,4 | 26,5 |
| 14 | 12 | 14 & 14S | 7/8-20 UNEF | 24,9 | 09 | 30,5 | 19,0 | 28,1 | 30,4 | 21,5 | 28,1 |
| 16 | 19 | 16 & 16S | 1-20 UNEF | 28,2 | 11 | 34,0 | 21,0 | 30,2 | 33,5 | 23,0 | 30,2 |
| 18 | 27 | 18 | 1 1/16-18 UNEF | 30,9 | 12 | 37,0 | 23,5 | 30,2 | 35,5 | 24,0 | 30,2 |
| 20 | 37 | 20 | 1 3/16-18 UNEF | 34,1 | 14 | 42,0 | 27,0 | 32,0 | 38,8 | 25,7 | 32,0 |
| 22 | | 22 | 1 5/16-18 UNEF | 37,3 | 16 | 44,0 | 27,0 | 33,6 | 41,9 | 27,2 | 33,6 |
| 24 | | 24 | 1 7/16-18 UNEF | 40,4 | 18 | 45,0 | 27,0 | 35,1 | 44,8 | 28,7 | 35,1 |
| 28 | | 28 | 1 3/4-18UNS | 50,0 | 22 | 54,2 | 31,4 | 38,7 | 50,7 | 31,6 | 38,7 |
| 32 | | 32 | 2-18 UNS | 56,3 | 24 | 60,9 | 36,4 | 42,3 | 60,0 | 33,5 | 42,3 |
| 36 | | 36 | 2 1/4-16 UN | 62,7 | 28 | 67,2 | 38,0 | 47,1 | 65,5 | 36,0 | 47,1 |
| 40 | | 40 | 2 1/2-16 UN | 69,0 | 28 | 73,2 | 41,0 | 49,3 | 72,0 | 39,3 | 49,3 |
| 44 | | 44 | 2 3/4-16 UN | 75,4 | 28 | 79,5 | 44,1 | 52,5 | 75,5 | 40,8 | 52,5 |
| 48 | | 48 | 3-16UN | 81,7 | 28 | 85,8 | 47,2 | 55,6 | 75,5 | 40,8 | 55,6 |
| 61 | 61 | | 1 1/2-18 UNEF | 42,0 | 18 | 47,8 | 28,0 | 36,6 | 48,3 | 27,0 | 36,6 |

THESE DIMENSIONS APPLY IF
BACKSHELL IS STAINLESS STEEL
OR NICKEL ALUMINIUM BRONZE

TABLE 2

| ENTRY SIZE | ØK MAX | ØZ REF | ØY REF | H ±0,5 | M ±0,5 | J ±0,5 | H ±0,5 | M ±0,5 | J ±0,5 |
|------------|--------|--------|--------|--------|--------|--------|--------|--------|--------|
| 03 | NA | 4,77 | 13,1 | NA | NA | NA | NA | NA | NA |
| 04 | NA | 6,35 | 13,1 | NA | NA | NA | NA | NA | NA |
| 05 | 21,0 | 7,92 | 13,1 | 24,0 | 15,5 | 25,7 | 24,3 | 17,2 | 25,7 |
| 06 | 21,0 | 9,52 | 17,9 | 24,0 | 15,5 | 25,7 | 24,3 | 17,2 | 25,7 |
| 07 | 21,0 | 11,12 | 17,9 | 24,0 | 15,5 | 25,7 | 24,3 | 17,2 | 25,7 |
| 08 | 24,5 | 12,70 | 17,9 | 27,0 | 17,0 | 27,2 | 28,3 | 19,4 | 27,2 |
| 09 | 24,5 | 14,27 | 17,9 | 27,0 | 17,0 | 27,2 | 28,3 | 19,4 | 27,2 |
| 10 | 29,0 | 15,87 | 24,2 | 31,0 | 19,5 | 28,7 | 31,1 | 21,0 | 28,7 |
| 11 | 32,5 | 17,47 | 24,2 | 34,0 | 21,0 | 30,4 | 34,2 | 22,8 | 30,4 |
| 12 | 32,5 | 19,05 | 24,2 | 34,0 | 21,0 | 30,4 | 34,2 | 22,8 | 30,4 |
| 13 | 35,5 | 20,62 | 24,2 | 35,0 | 20,0 | 32,1 | 38,5 | 25,3 | 32,1 |
| 14 | 35,5 | 22,23 | 30,6 | 35,0 | 20,0 | 32,1 | 38,5 | 25,3 | 32,1 |
| 15 | 37,0 | 23,82 | 30,6 | 38,0 | 21,5 | 33,7 | 40,7 | 26,1 | 33,7 |
| 16 | 37,0 | 25,40 | 30,6 | 38,0 | 21,5 | 33,7 | 40,7 | 26,1 | 33,7 |
| 17 | 40,0 | 26,98 | 33,2 | 42,0 | 24,0 | 35,2 | 43,7 | 27,6 | 35,2 |
| 18 | 40,0 | 28,60 | 33,2 | 42,0 | 24,0 | 35,2 | 43,7 | 27,6 | 35,2 |
| 20 | 43,5 | 31,80 | 42,0 | 45,0 | 25,5 | 36,7 | 46,4 | 29,1 | 36,7 |
| 21 | 48,5 | 33,34 | 42,0 | 54,5 | 31,0 | 39,8 | 50,0 | 31,0 | 39,8 |
| 22 | 48,5 | 35,00 | 42,0 | 54,5 | 31,0 | 39,8 | 50,0 | 31,0 | 39,8 |
| 24 | 52,1 | 38,10 | 42,0 | 58,0 | 33,0 | 43,8 | 53,5 | 33,0 | 43,8 |
| 28 | 58,5 | 44,45 | 49,0 | 65,5 | 36,5 | 48,9 | 60,3 | 36,5 | 48,9 |

| | | | | |
|------------------|---------------------------|-------------|-----------------|--|
| DRAWN | K.WINCZURA | DATE | 13/02/2015 |  3RD ANGLE PROJECTION NOT TO SCALE |
| CHECKED | | DATE | 13/02/2015 | |
| APPROVED | K.SHEPPARD | DATE | 24/02/2015 | |
| APPROVED | H.SMITH | DATE | 01/10/2015 | |
| REVISIONS | | | | |
| LTR | DESCRIPTION | DATE | APPROVED | |
| R | REVISED PER ECO-15-003651 | 10/03/2015 | I.MYONG | |
| S | REVISED PER ECO-15-013980 | 01/10/2015 | H.SMITH | |

TITLE:
BRAID TAIL BACKSHELL

ASSY USED ON:
MIL-DTL-26482 SERIES II / MIL-DTL-83723 SERIES I & III



单击下面可查看定价，库存，交付和生命周期等信息

[>>TE Connectivity\(泰科\)](#)