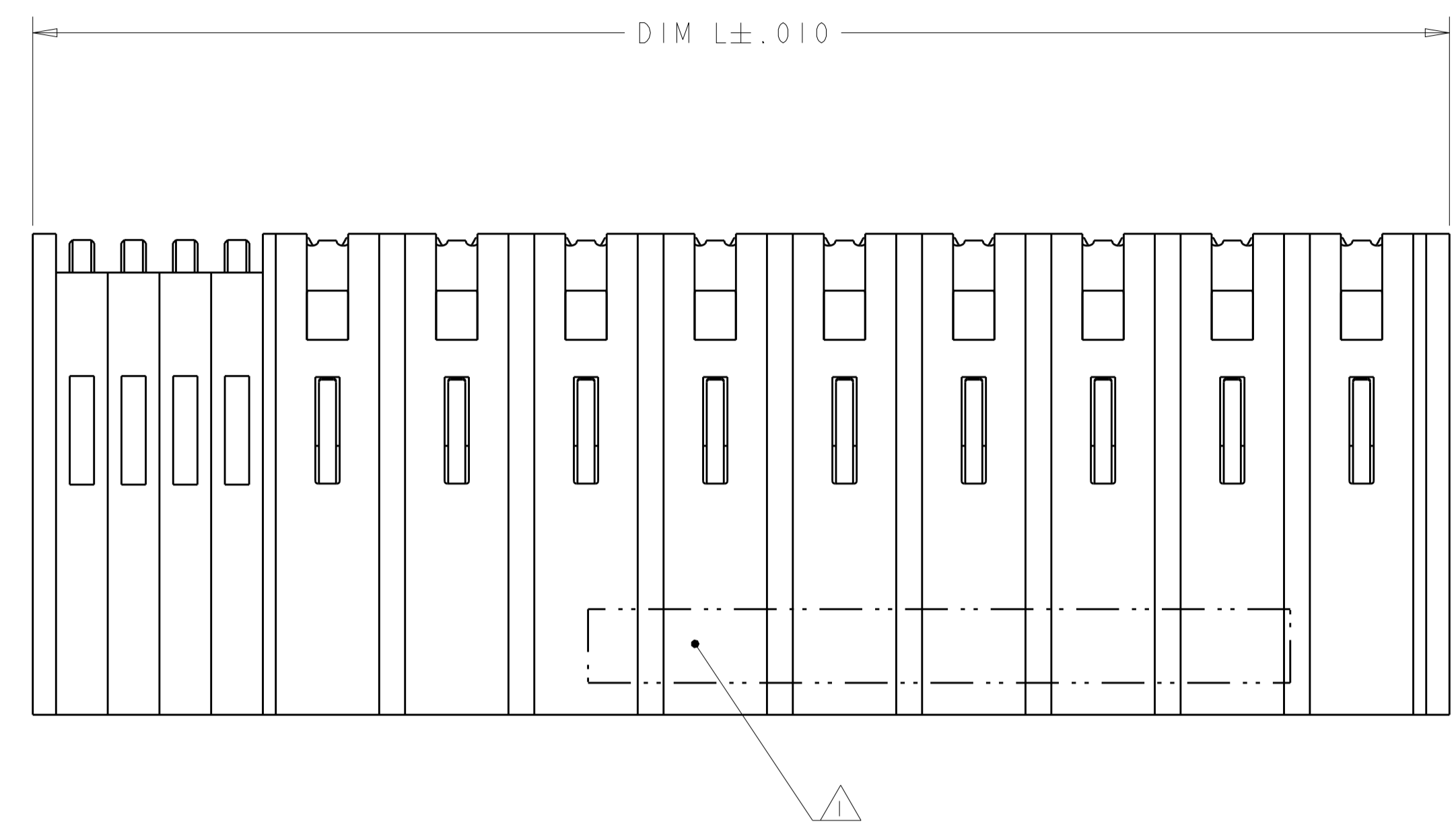
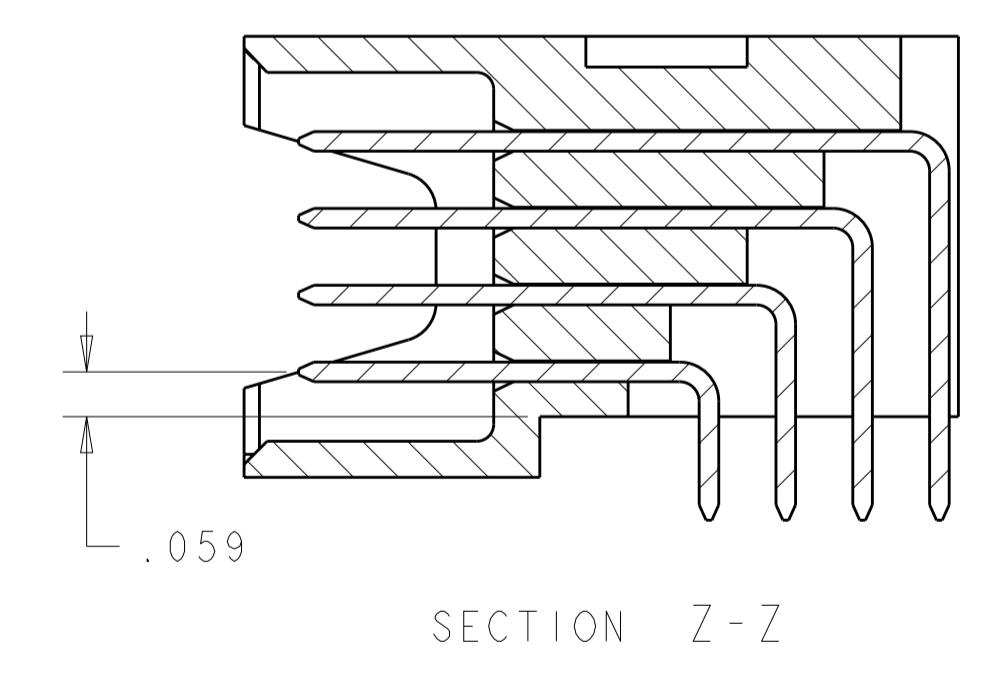
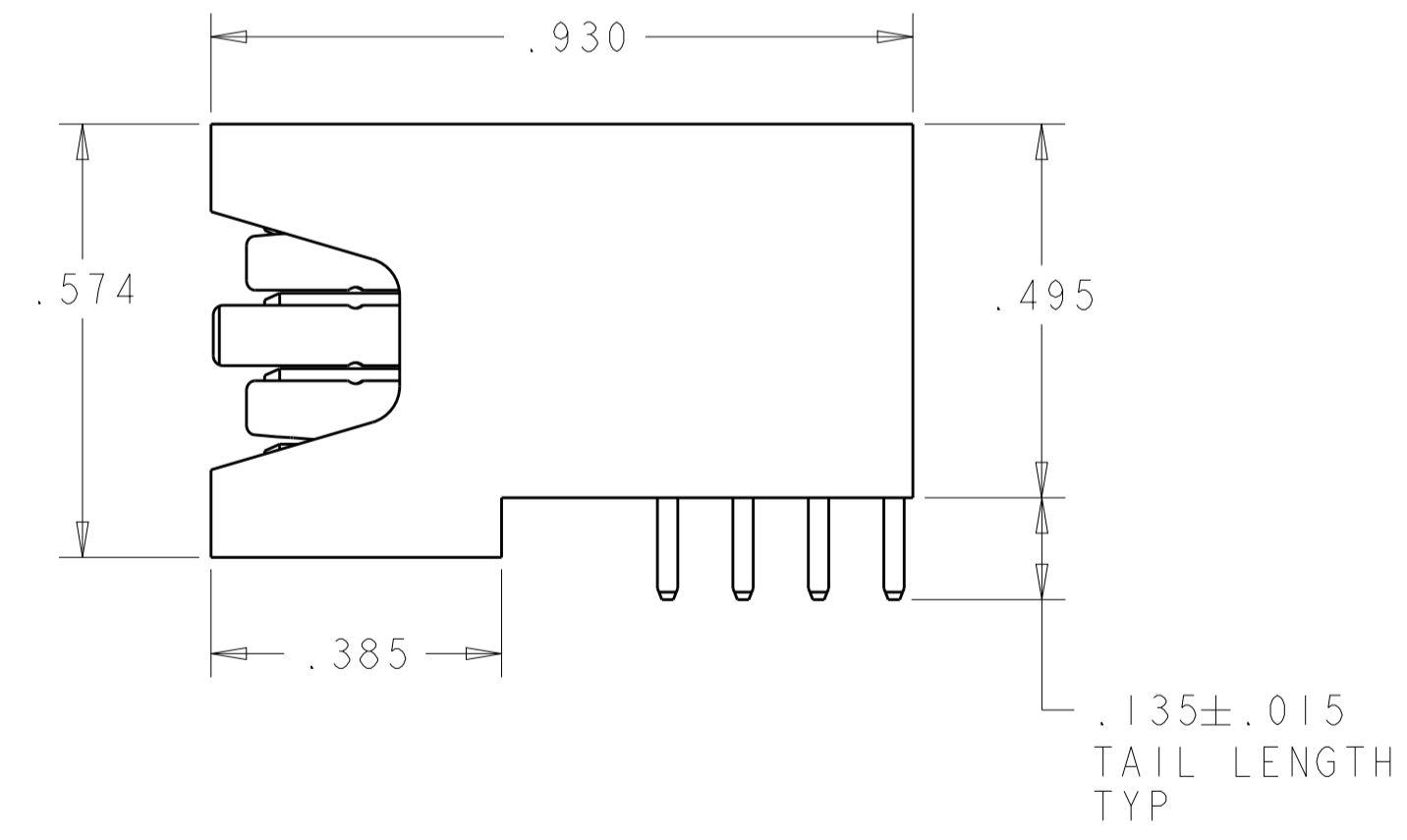
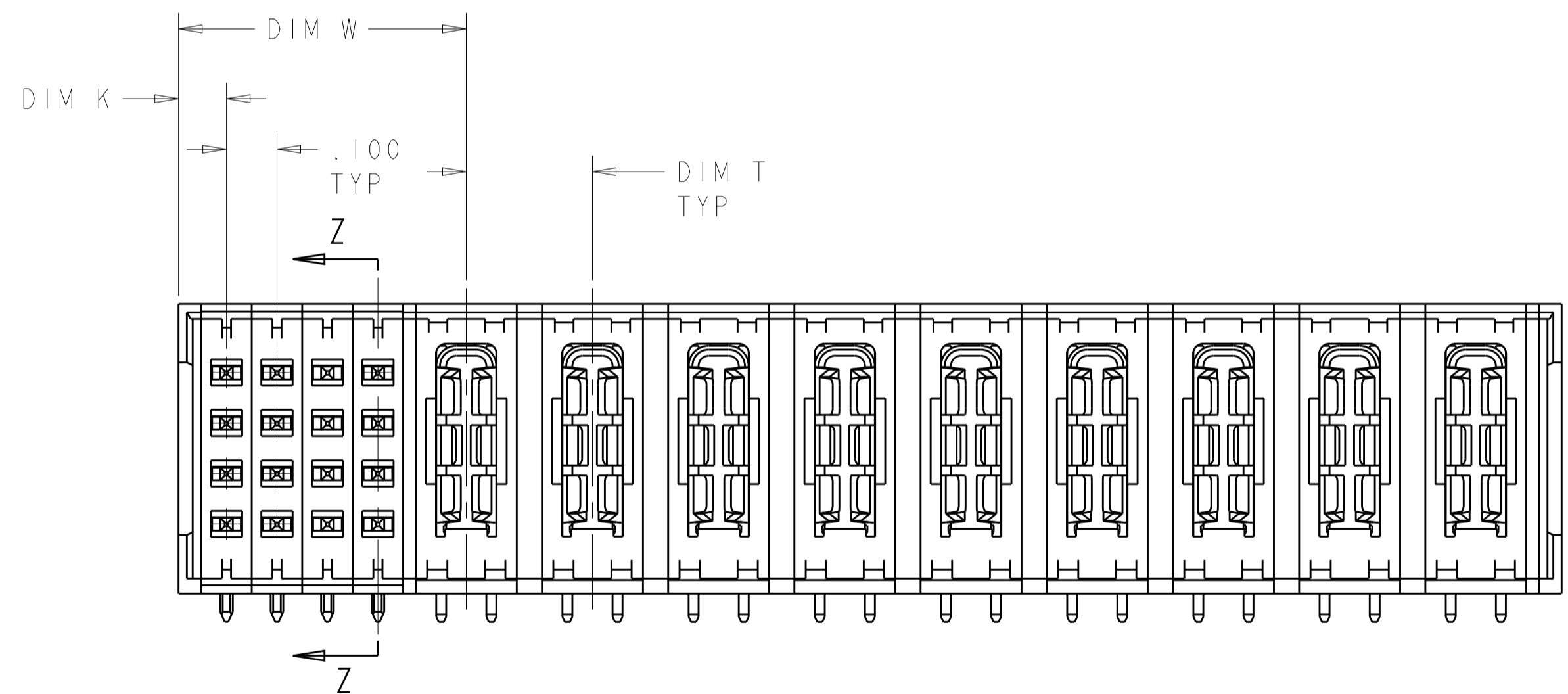


LOC	DIST	REVISIONS					
		P	LTN	DESCRIPTION	DATE	DWN	APVD
ES	00	A3		ADVISED	20MAR2013	ML	SZ



- 1 "AMP", PART NUMBER, AND DATE CODE TO BE MARKED IN AREA SHOWN.
- 2 MATERIAL: HOUSING - GLASS FILLED HIGH TEMP THERMO PLASTIC, UL94 V-0
 SIGNAL CONTACT - COPPER ALLOY
 POWER CONTACT - HIGH CONDUCTIVITY COPPER ALLOY
- 3 CONTACT PLATING: NOBLE METAL PLATING ON CONTACT FUNCTIONAL AREA OF POWER AND SIGNAL CONTACTS.
- 4 MECHANICAL CONNECTOR KEEP OUT ZONE.
- 5 DATUM AND BASIC DIMENSIONS ESTABLISHED BY CUSTOMER.
- 6 PCB - ALL HOLE DIAMETERS ARE FINISHED HOLE SIZES.
- 7 PCB - .0453 +/- .0010 DRILLED HOLES PLATED WITH .0003 MIN Sn OVER .001 TO .003 Cu PLATING TO ACHIEVE A .040 DIA. HOLE.

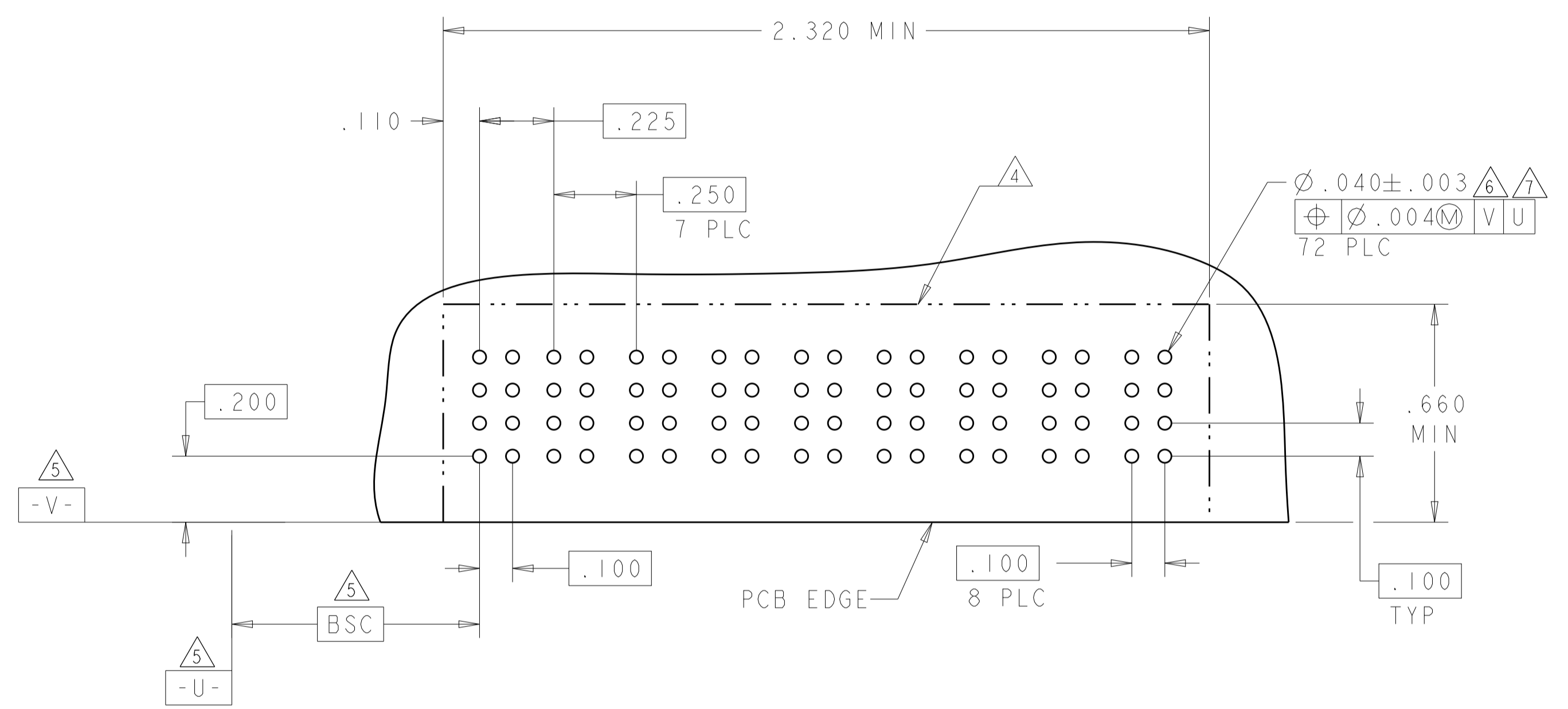
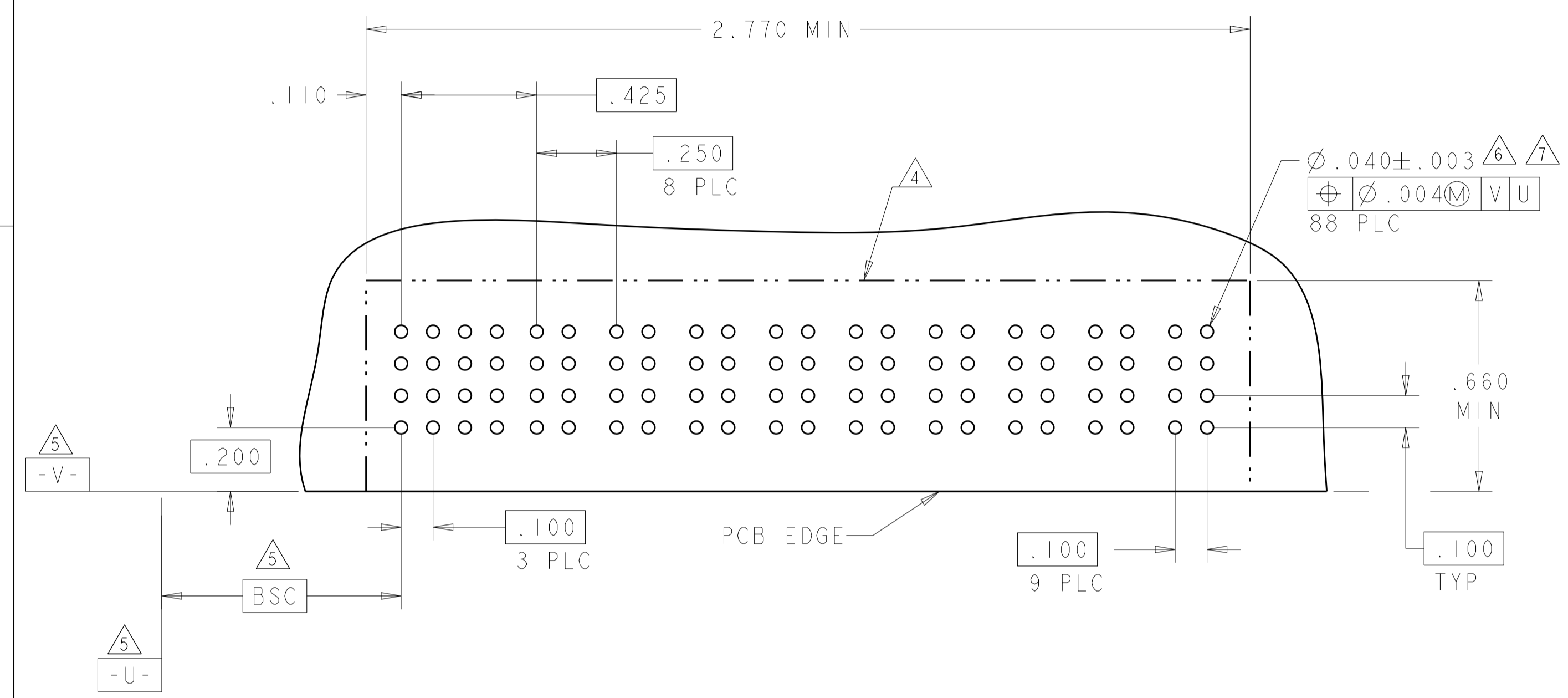


.250	.370	2.290	.095	8S + 8P	1892105-2
.250	.570	2.740	.095	16S + 9P	1892105-1
DIM T	DIM W	DIM L	DIM K	DESCRIPTION	PART NUMBER
THIS DRAWING IS A CONTROLLED DOCUMENT.					
DIMENSIONS:		TOLERANCES UNLESS OTHERWISE SPECIFIED:			
INCHES		0 PLC ±. 1 PLC ±.01 2 PLC ±.01 3 PLC ±.005 4 PLC ±.0020 ANGLES ±.7°			
MATERIAL		FINISH			
: 1		: 1			
Customer Drawing		SCALE 4:1		SHEET 1 OF 2	
DWG: C.ZHOU 23APR2007		CHK: S.ZHAO 23APR2007		APVD: S.YAO	
NAME: S. YAO		TE Connectivity			
PRODUCT SPEC: 108-1973		RIGHT ANGLE HEADER ASSEMBLY			
APPLICATION SPEC: 114-13038		NO GUIDES			
SIZE: A1		MULTI-BEAM XL			
CAGE CODE: 100779		DRAWING NO: 1892105			
RESTRICTED TO:		REV: A3			

LOC	DIST	REVISIONS			
P	LTN	DESCRIPTION	DATE	DMN	APVD
ES	00	SEE SHEET 1			

PART NUMBER	ROWS	SIGNAL				POWER									
		1	2	3	4	P1	P2	P3	P4	P5	P6	P7	P8	P9	
1892105-1	D	J	J	J	J	TM	TM	TM	TM	TM	TM	TM	TM	TM	TM
	C	K	K	K	K	TM	TM	TM	TM	TM	TM	TM	TM	TM	TM
	B	N	N	N	N	TM	TM	TM	TM	TM	TM	TM	TM	TM	TM
	A	S	S	S	S	TM	TM	TM	TM	TM	TM	TM	TM	TM	TM
16S + 9P															

PART NUMBER	ROWS	SIGNAL		POWER									
		1	2	P1	P2	P3	P4	P5	P6	P7	P8		
1892105-2	D	J	J	TM	TM	TM	TM	TM	TM	TM	TM	TM	TM
	C	K	K	TM	TM	TM	TM	TM	TM	TM	TM	TM	TM
	B	N	N	TM	TM	TM	TM	TM	TM	TM	TM	TM	TM
	A	S	S	TM	TM	TM	TM	TM	TM	TM	TM	TM	TM
8S + 8P													



CODE	DESCRIPTION	TAIL LENGTH	ROW
J	SIGNAL CONTACT, STD	.135	D
K	SIGNAL CONTACT, STD	.135	C
N	SIGNAL CONTACT, STD	.135	B
S	SIGNAL CONTACT, STD	.135	A
TM	STD HOT PLUG POWER CONTACT	.135	-

THIS DRAWING IS A CONTROLLED DOCUMENT.		DMN C. ZHOU CHK S. ZHAO	23APR2007 23APR2007	TE Connectivity NAME RIGHT ANGLE HEADER ASSEMBLY NO GUIDES MULTI-BEAM XL	
DIMENSIONS: INCHES	TOLERANCES UNLESS OTHERWISE SPECIFIED:	APVD S. YAO	PRODUCT SPEC 108-1973		
MATERIAL	FINISH	WEIGHT	Customer Drawing	SCALE 4:1	RESTRICTED TO SHEET 2 OF 2 REV A3

单击下面可查看定价，库存，交付和生命周期等信息

[>>TE Connectivity\(泰科\)](#)