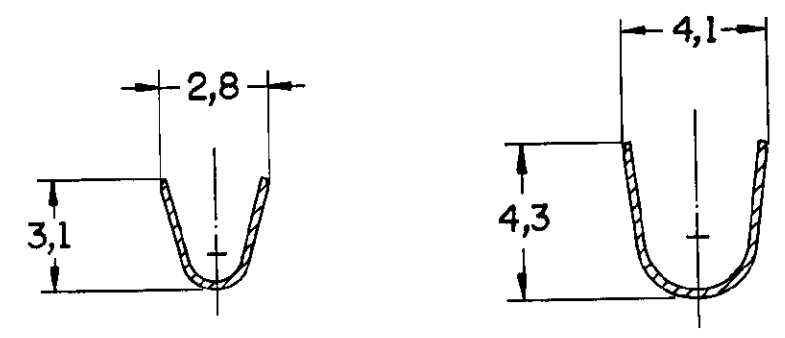
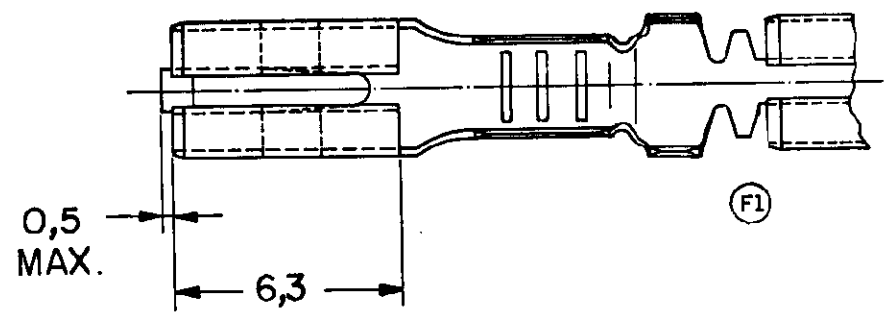


DWG NO.		DO NOT SCALE		METRIC		3rd ANGLE PROJECTION	
		DIMENSIONS IN mm.					
REQ. PER ASSY	ITEM	DESCRIPTION	MATERIAL	FINISH			

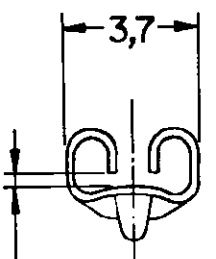


SECCÃO A-A
SECTION

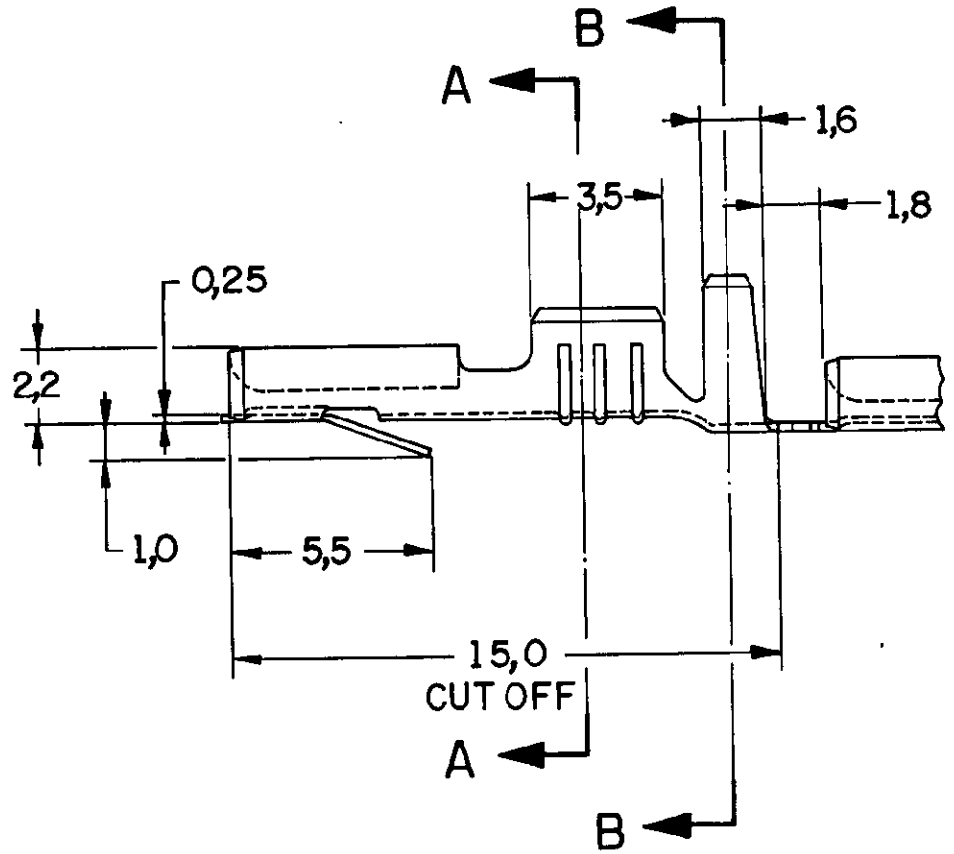
SECCÃO B-B
SECTION

(F1) (F) 1- LOOSE PIECE: VER DESENHO 880680
LOOSE PIECE: SEE DRAWING.

(2) OBSOLETE PARTS



PARA TAB DE 0,8
ESPESSURA.
FOR 0,8 TAB.



FINISH	MATERIAL	PART NUMBER
	PRÉ ESTANHADO	BRONZE FOSFOROSO
	PRÉ ESTANHADO	LATAO
(F1)		BRONZE FOSFOROSO
(F1)		LATAO

CUSTOMER DWG
for REFERENCE ONLY

THIS DRAWING IS UNPUBLISHED. RELEASED FOR PUBLICATION.

© COPYRIGHT 19 BY AMP DO BRASIL LTDA S.P. ALL INTERNATIONAL RIGHTS RESERVED AMP PRODUCTS MAY BE COVERED BY U.S. AND FOREIGN PATENTS AND/OR PATENTS PENDING.

TOLERANCES UNLESS OTHERWISE STATED:
INS. DIA. RANGE 2,2 - 2,7 mm
WIRE RANGE >1,0 - 1,5 mm
DEC. ± 0,3
ANGLES ± 1°

SCALE: 1/1

AMP AMP do BRASIL LTDA.
São Paulo, Brasil

DESCRIPTION: 110 SERIES RECEPTACLE
FASTIN - FASTON

DR. M.C. LAPRESA
02-JUL-93

CHK. JR. 20-JUL-93

DE. H. 22-JUL-93

DWG NO: A3 C 880635
SHEET 1 OF 1

REV.	REVISION RECORD	ECN	DR	CHK	DATE	APP.
F3	REV. ECO 18-003809		HC	WLS	09MAR18	
F2	REVISED PER ECO-09-026444		KK	AEG	26NOV09	
F1	REVISED BY	06996	DAR	21-APR-96		
F	ADICIONADO NOTA	321/93	WCL	26-JUL-93		
E	REDRAWN WITH CHANGE	099/93	WCL	19-JUL-93		

单击下面可查看定价，库存，交付和生命周期等信息

[>>TE Connectivity\(泰科\)](#)