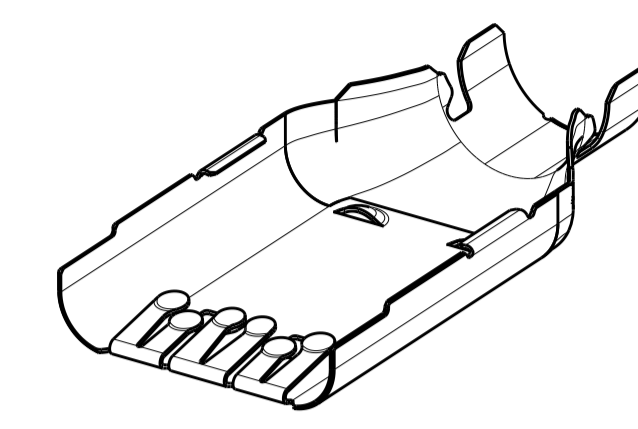
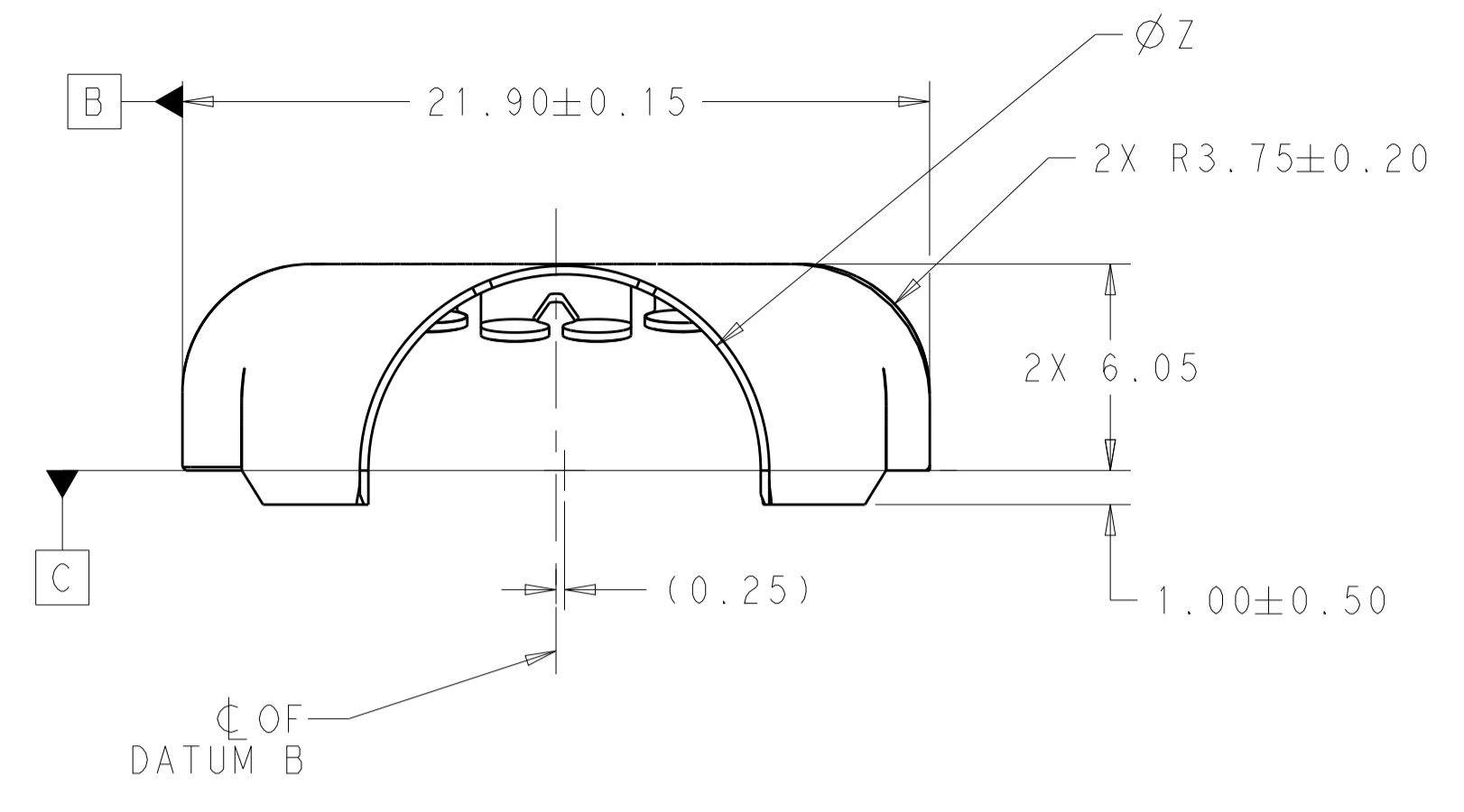
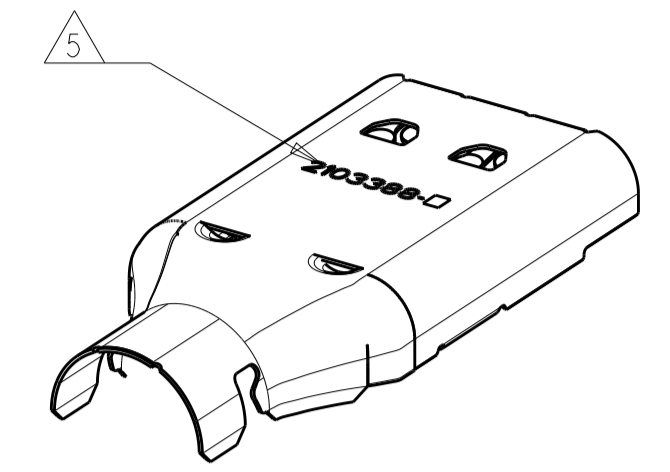


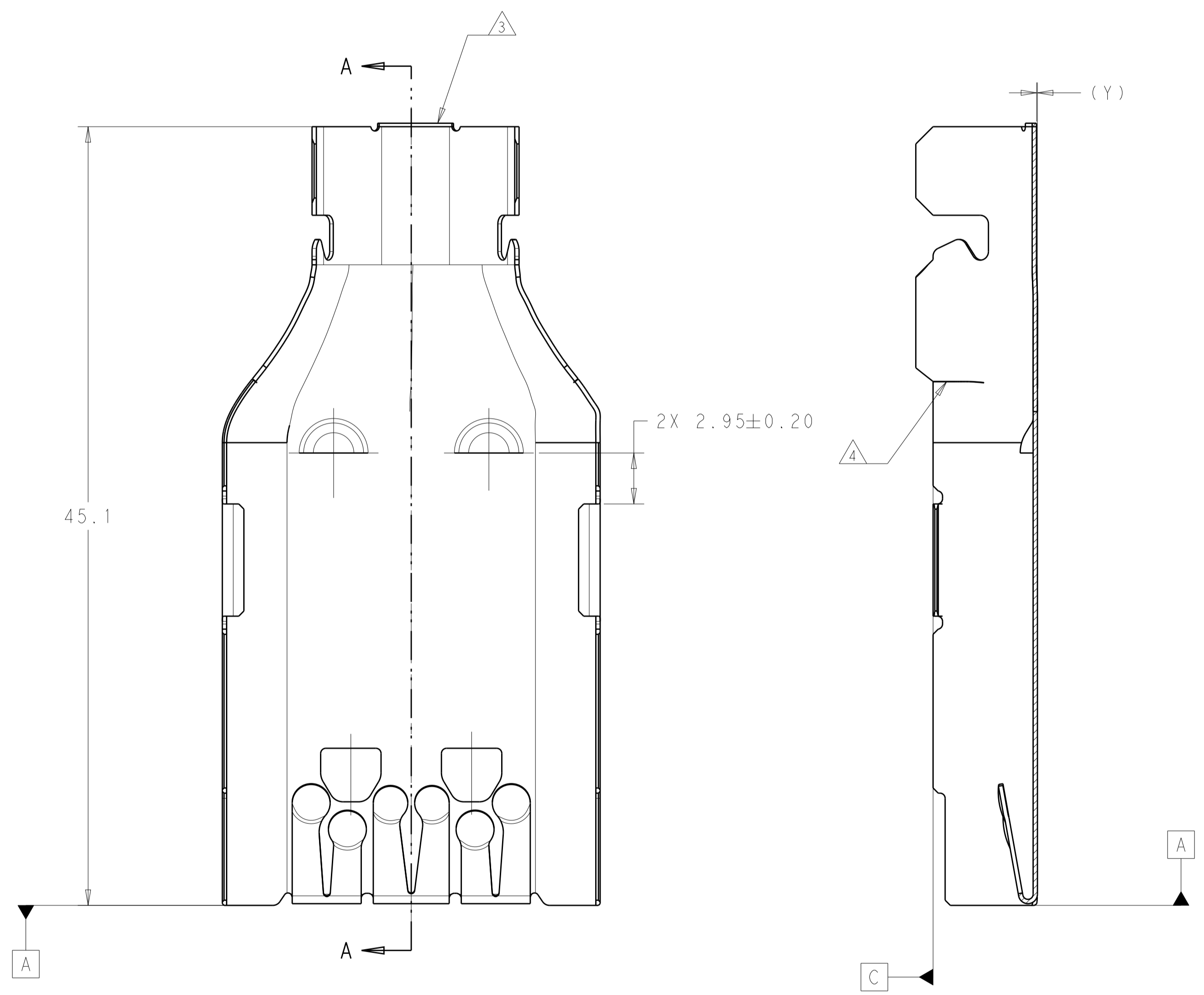
REVISIONS				
P.	LTN.	DESCRIPTION	DATE	APVD.
B		ECO-14-018782	15DEC2014	DR DR



SCALE 2:1



SCALE 2:1



SECTION A-A

- △ MATERIAL TYPE: COPPER ALLOY
- 2. PART MUST BE FREE OF EXCESSIVE BURRS, CRACKS, OR OTHER VISUAL IMPERFECTIONS THAT MAY AFFECT FIT OR FUNCTION
- △ 3 0.20 MAX CUT OFF TAB LENGTH
- △ 4 2X BUTTED SEAM IN THIS AREA
- △ 5 TE PART NUMBER STAMPED IN THIS AREA
- 6. NOTE DELETED

0.55	10.50	2.88 g	SILVER	2103388-2
0.05	11.50	2.91 g	SILVER	2103388-1
Y	Z	WEIGHT	FINISH	PART NO

THIS DRAWING IS A CONTROLLED DOCUMENT.		DWN D. RHEIN 06SEP2013	TE Connectivity
DIMENSIONS: mm		CHK D. RHEIN 16SEP2013	
TOLERANCES UNLESS OTHERWISE SPECIFIED:		APVD A. GUANCO 16SEP2013	NAME SHIELD, PLUG HVA280
0 PLC ±	1 PLC ±0.2	PRODUCT SPEC	SIZE CAGE CODE DRAWING NO
2 PLC ±0.10	3 PLC ±0.05	APPLICATION SPEC	RESTRICTED TO
4 PLC ±	ANGLES ±1°	WEIGHT SEE TABLE	A100779C=2103388
MATERIAL	FINISH SEE TABLE	Customer Drawing	SCALE 5:1 SHEET 1 OF 1 REV B

单击下面可查看定价，库存，交付和生命周期等信息

[>>TE Connectivity\(泰科\)](#)