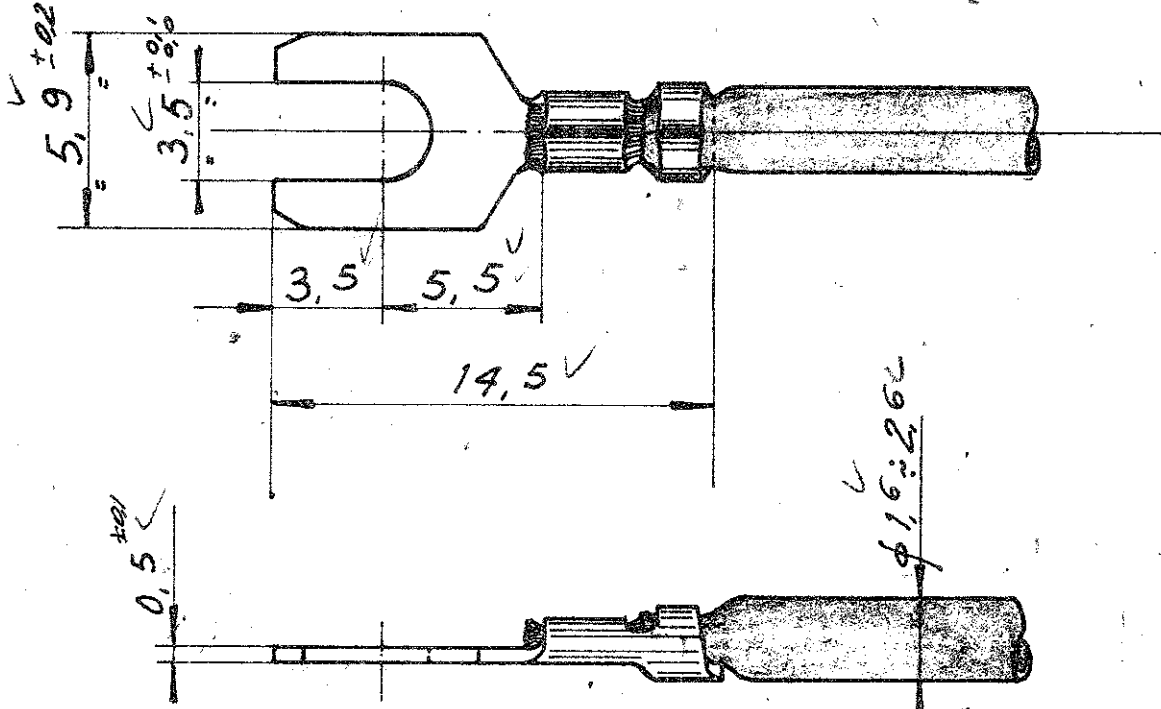


NUMBER  
C-280041



DIMENSIONS IN INCHES, DO NOT SCALE PRINT

280041-2		OTTONE STAGNATO	
© 1968 BY AMP INCORPORATED ALL RIGHTS RESERVED. AMP PRODUCTS COVERED BY PATENTS AND/OR PATENTS PENDING.		CUSTOMER COPY REFERENCE ONLY	
MATERIAL AND FINISH		AMP AMP - ITALIA CORSO PEGHIERA 298/S TORINO - ITALIA	
VEDI TABELLA		CLASS A.M.	
WIRE RANGE INSULATION 0.3-0.8 mm <sup>2</sup> ✓		TYPE SPADE TONGUE	
TOLERANCE EXCEPT AS NOTED ± 0.4 ± 10 0'		SCALE 1:1	
LOC A		NO C-280041	
REV F			

F	Revised ET00-0067-01	G.S	09/03/01
B	(MANGLIATO P/14 - 1) RIVISTO PER ECN I-2857	VP	27-3-91
A	PR. WAS I.A.B. 5130	VP	24/10/88
LTR	REVISION RECORD	DR	CHK
DR	VOLPATO R. 10.12.88	DE	
CHK	09.	APP	

E A FORCELLA-  
(PORTO ISOLANTE)

单击下面可查看定价，库存，交付和生命周期等信息

[>>TE Connectivity\(泰科\)](#)