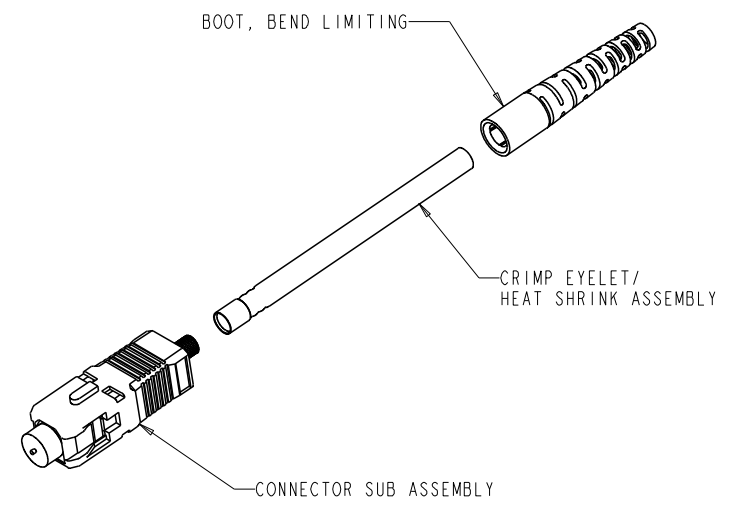
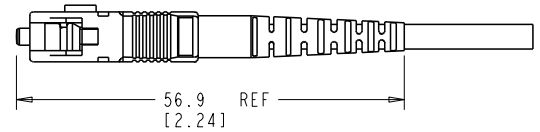
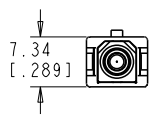
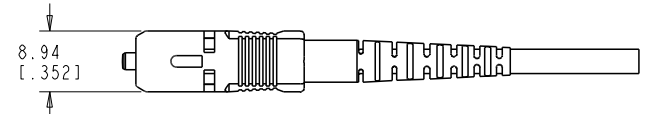


REVISIONS				
P	LT#	DESCRIPTION	DATE	OWN APVD
D		ECR-17-012802	06SEP2017	KG DW

△ MATERIAL: PROTECTIVE COVER: TPE, COLOR:BLACK, UL 94 HB. *
 FERRULE SUB ASSEMBLY: ZIRCONIA/METAL
 COMPRESSION SPRING: STAINLESS STEEL.
 CONNECTOR HOUSING: PBT, COLOR:BEIGE, UL 94 V-0. *
 PLUG BODY: PAS, COLOR: BEIGE, UL 94 V-0. *
 REAR BODY: METAL
 BOOT: PP, COLOR:BEIGE, UL 94 V-0. *
 CRIMP EYELET/HEAT SHRINK ASSY: ALUM. ALLOY, HEAT SHRINK: POLYOLEFIN, UL VW-I.
 *RATED AT QUALIFYING THICKNESS.

△ BULK PACKAGED



△	1918227-2
	1918227-1
	PART NUMBER

THIS DRAWING IS A CONTROLLED DOCUMENT.		OWN E. HOPKINS 20 JAN 2006	TE Connectivity
DIMENSIONS: mm [INCHES]		CHK D. ROHDE 20 JAN 2006	
TOLERANCES UNLESS OTHERWISE SPECIFIED:		APVD D. BAECHTLE 20 JAN 2006	
0 PLC ± 1 PLC ±0.1 / (.004) 2 PLC ±0.01 / (.0004) 3 PLC ± 4 PLC ± ANGLES ± FINISH -		NAME CONNECTOR KIT, SC, SIMPLEX SM, JUMPER, TIGHT JACKET STYLE, 2.4mm	
MATERIAL △		APPLICATION SPEC -	RESTRICTED TO -
		WEIGHT -	SIZE CAGE CODE DRAWING NO A2 00779 ©=1918227
		CUSTOMER DRAWING	SCALE 3:1 SHEET 1 OF 1 REV D

单击下面可查看定价，库存，交付和生命周期等信息

[>>TE Connectivity\(泰科\)](#)