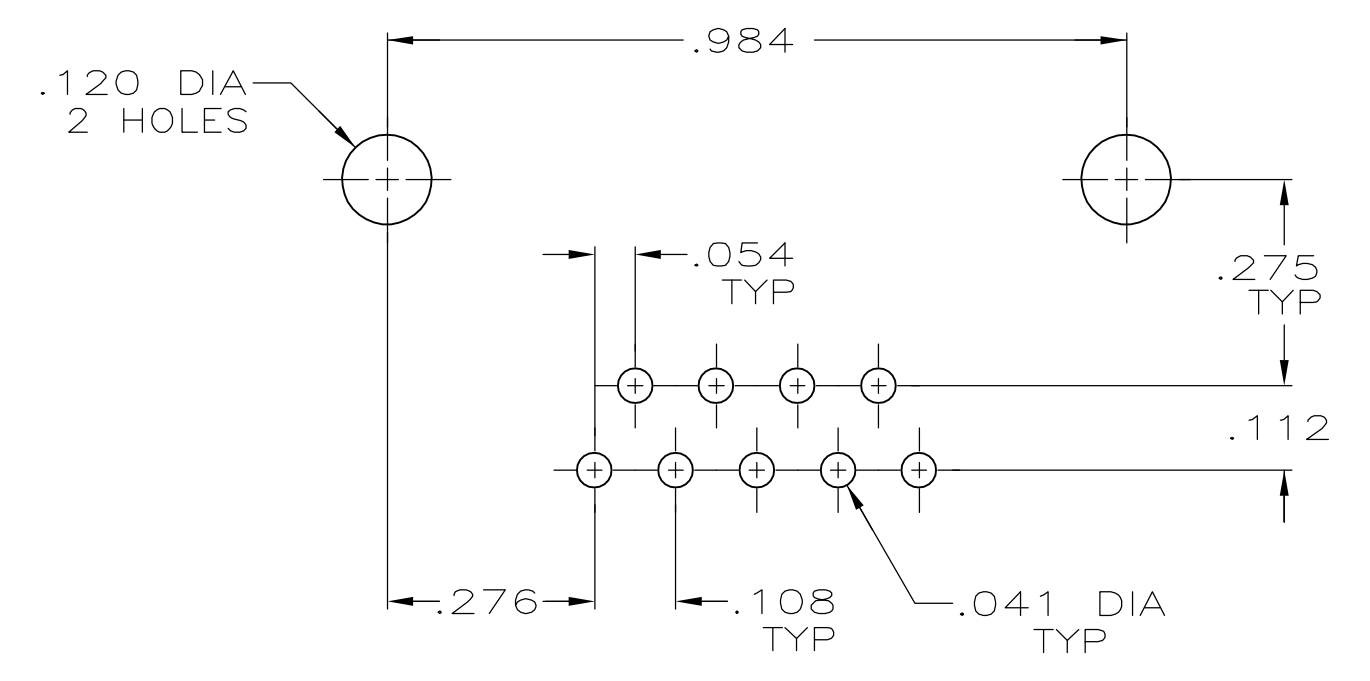
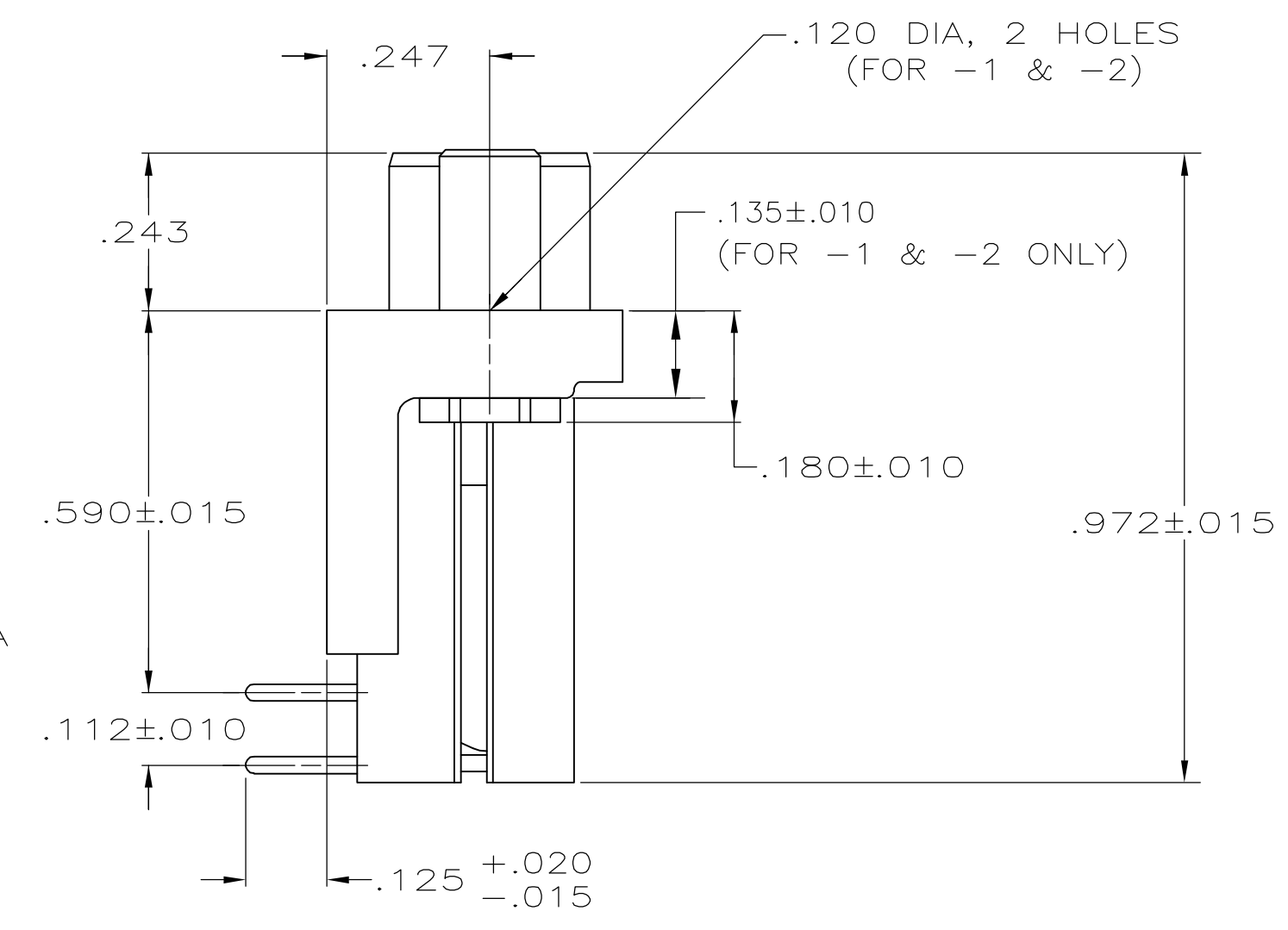
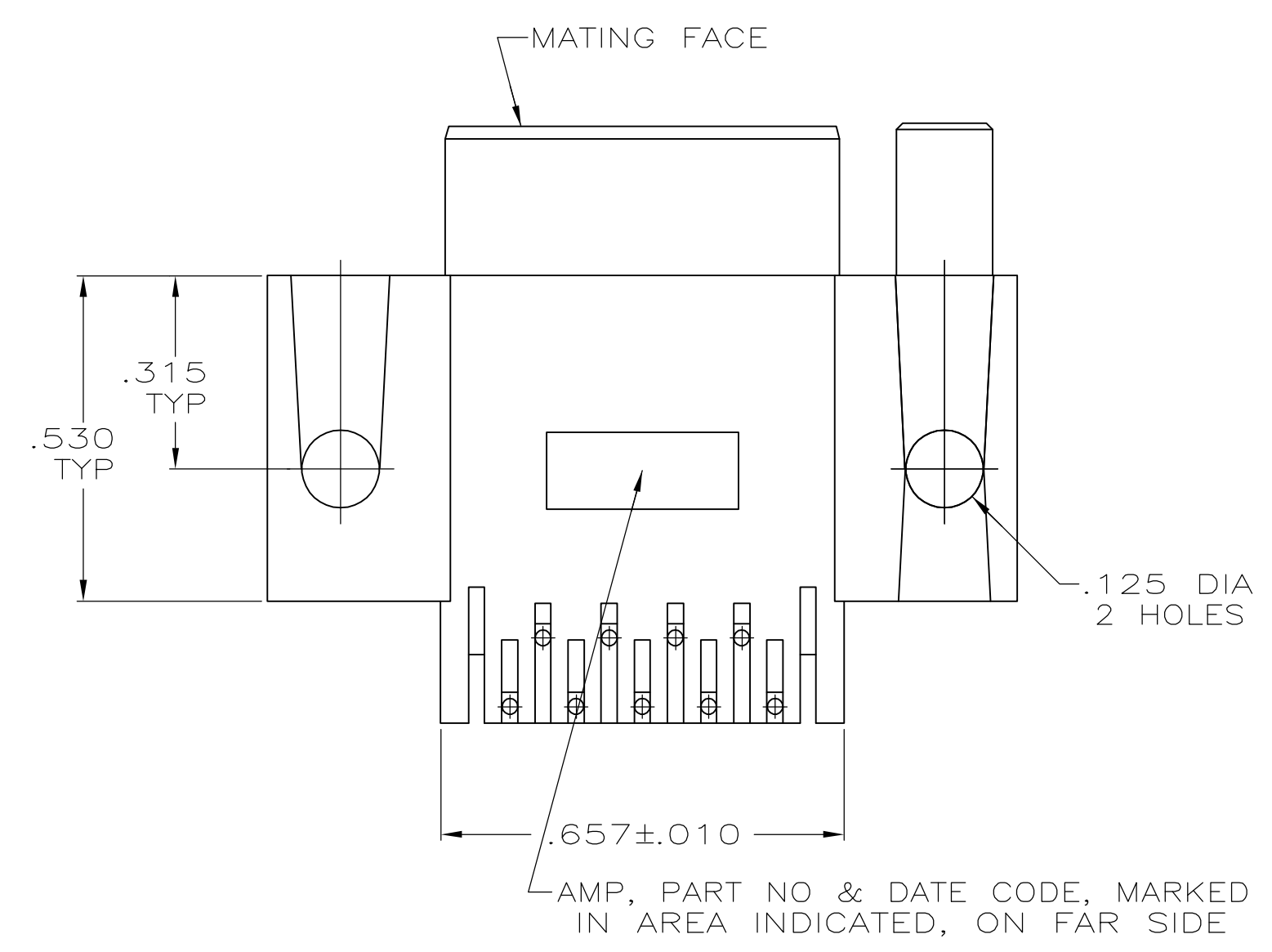
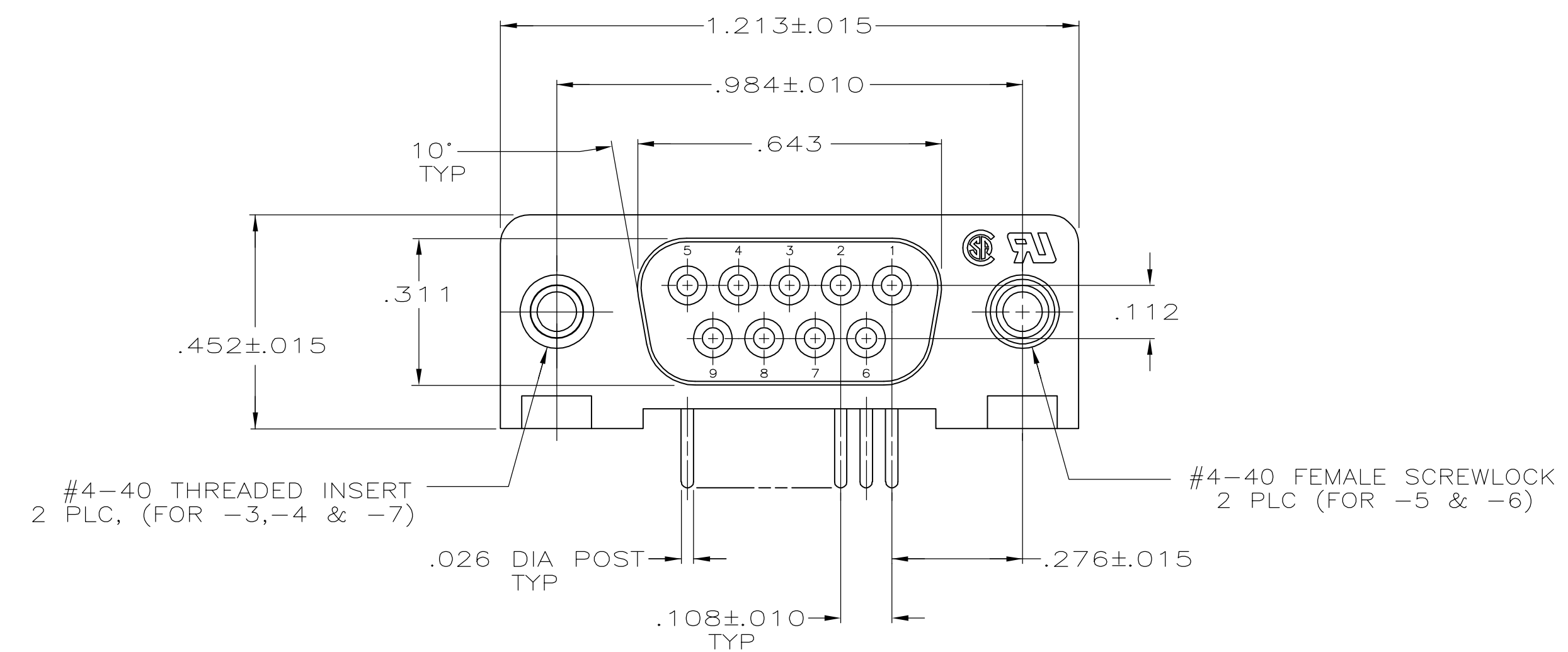


LOC		DIST		REVISIONS			
GP	00	REV	PER	DESCRIPTION	DATE	DWN	APVD
F				ECO-07-000087	19 JAN 07	CJV	SB



- 1 HOUSING: FLAME RETARDANT, 94V-0 RATED, GLASS FILLED, NYLON OR POLYESTER, COLOR: BLACK.
- 2 CONTACTS: PHOS. BRONZE PER QQ-B-750.
- 3 REFER TO APPLICATION SPEC FOR RECOMMENDED P.C. BOARD MOUNTING DIMENSIONS FOR AUTOMATIC INSERTION.
- 4 HARDWARE: ZINC.
- 5 HARDWARE: CLEAR CHROMATE.
- 6 PLATED WITH GOLD FLASH FOR LENGTH OF .055 MIN FROM MATING END, WITH POINT OF MEASUREMENT .035 FROM MATING END OF CONTACT, .000100-.000200 TIN OR TIN-LEAD ON SOLDER END, ALL OVER .000050 NICKEL ON ENTIRE CONTACT.
- 7 PLATED WITH .000030 GOLD FOR LENGTH OF .055 MIN FROM MATING END, WITH POINT OF MEASUREMENT .035 FROM MATING END OF CONTACT, .000100-.000200 TIN OR TIN-LEAD ON SOLDER END, ALL OVER .000050 NICKEL ON ENTIRE CONTACT.
- 8 PLATED WITH .000010 GOLD FOR LENGTH OF .055 MIN FROM MATING END, WITH POINT OF MEASUREMENT .035 FROM MATING END OF CONTACT, .000100-.000200 TIN OR TIN-LEAD ON SOLDER END, ALL OVER .000050 NICKEL ON ENTIRE CONTACT.

REMARKS	CONTACT FINISH	PART NUMBER
OBsolete	WITH INSERTS	747459 -7
OBsolete	WITH SCREWLOCKS	747459 -6
OBsolete	WITH SCREWLOCKS	747459 -5
OBsolete	WITH INSERTS	747459 -4
OBsolete	WITH INSERTS	747459 -3
	WITH .120 DIA HOLE	747459 -2
	WITH .120 DIA HOLE	747459 -1

THIS DRAWING IS A CONTROLLED DOCUMENT.

DIMENSIONS: INCHES	TOLERANCES UNLESS OTHERWISE SPECIFIED:	DWN: C. RICHARD 7-29-87	 Tyco Electronics Corporation Harrisburg, PA 17105-3608
0 PLC ± -	1 PLC ± -	DWG: S. WELDON 7-30-87	
2 PLC ± -	3 PLC ± -.005	APVD: B. TAYLOR 8-3-87	NAME: RECEPTACLE ASSY. SIZE 1, 9 POSN, RIGHT ANGLE, .590 SERIES, .026 DIA POSTS, AMPLIMITE® HD-20
4 PLC ± -	ANGLES ± ± 2	PRODUCT SPEC: 108-40025	APPLICATION SPEC: 114-40015
MATERIAL	FINISH	SIZE: A1	CAGE CODE: 00779
		WEIGHT: -	DRAWING NO: 747459
		CUSTOMER DRAWING	SCALE: 4:1

RESTRICTED TO SHEET 1 OF 1 REV F

单击下面可查看定价，库存，交付和生命周期等信息

[>>TE Connectivity\(泰科\)](#)