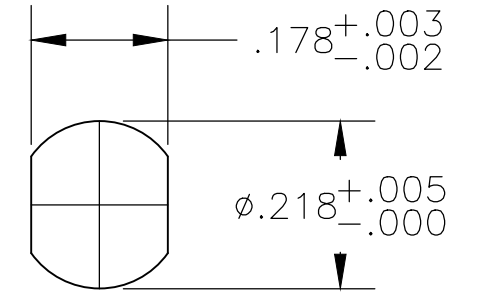
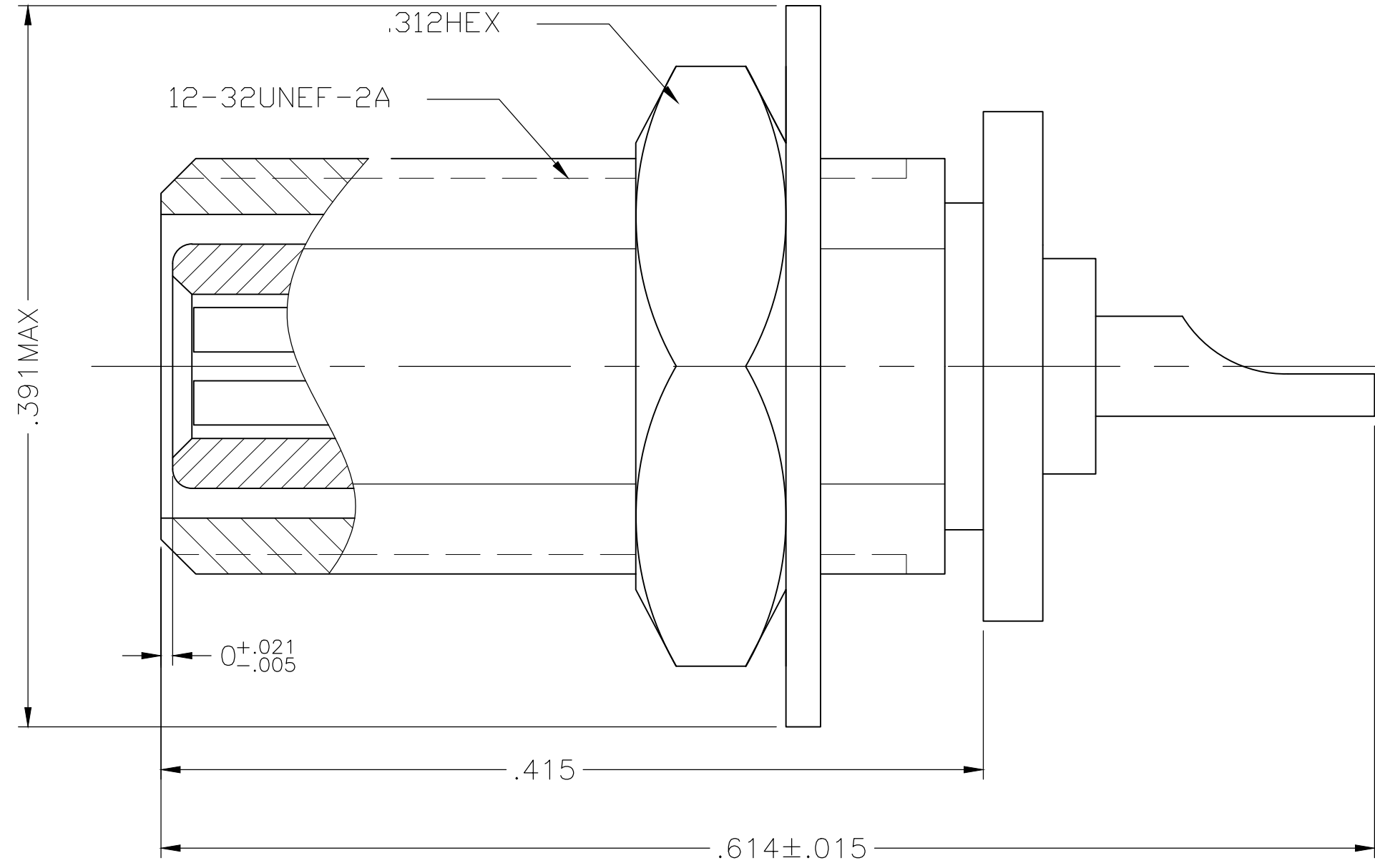
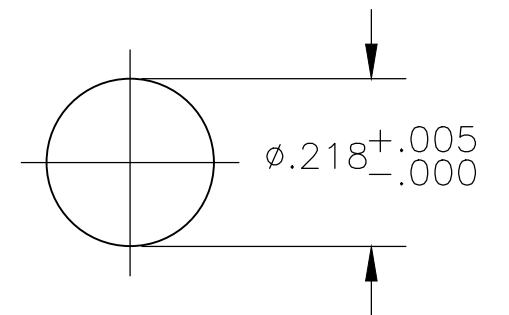


THIS DRAWING IS UNPUBLISHED. RELEASED FOR PUBLICATION
 © COPYRIGHT - TE Connectivity Ltd. ALL RIGHTS RESERVED.

REVISIONS				
P	LTR	DESCRIPTION	DATE	APVD
	J1	ECO-18-017129	30OCT2018	RZ RS



SUGGESTED PANEL CUTOUT FOR 329852(NO DASH No.) AND 5-0 ASSYS



SUGGESTED PANEL CUTOUT FOR -2 ASSY

5-328691-0	5-328690-0	5-330308-0	5-329852-0
1-328691-2	1-328690-2	222073-1	329852-2
328691	328690	330308	329852
③ WASHER LOCK QTY = 1	② NUT JAM QTY = 1	① SOLDER RCPT ASSY QTY = 1	PART NO

- PARTS PACKAGED UNASSEMBLED
- SEE I.S. 1771
- FOR USE WITH 22 AWG MAX CABLE
- .125 MAX PANEL THICKNESS
- WEIGHT = .062 OZ

THIS DRAWING IS A CONTROLLED DOCUMENT.		DWN M. O'BRINE 26JAN01	STE TE Connectivity	
		CHK T. ALLEN 26JAN01		
DIMENSIONS: INCHES	TOLERANCES UNLESS OTHERWISE SPECIFIED:	APVD T. ALLEN 26JAN01	NAME CONNECTOR, COAXIAL, RF RCPT, SOLDER SERIES, MINIATURE THD	
	0 PLC ± -	PRODUCT SPEC	108-12013	
	1 PLC ± -	APPLICATION SPEC	-	
	2 PLC ± -	SIZE	CAGE CODE	DRAWING NO
	3 PLC ± .016	WEIGHT	A300779	C-329852
	4 PLC ± -	CUSTOMER DRAWING	SCALE	1:1
	ANGLES ± -		SHEET	1 OF 1
MATERIAL	FINISH		REV	J1

单击下面可查看定价，库存，交付和生命周期等信息

[>>TE Connectivity\(泰科\)](#)