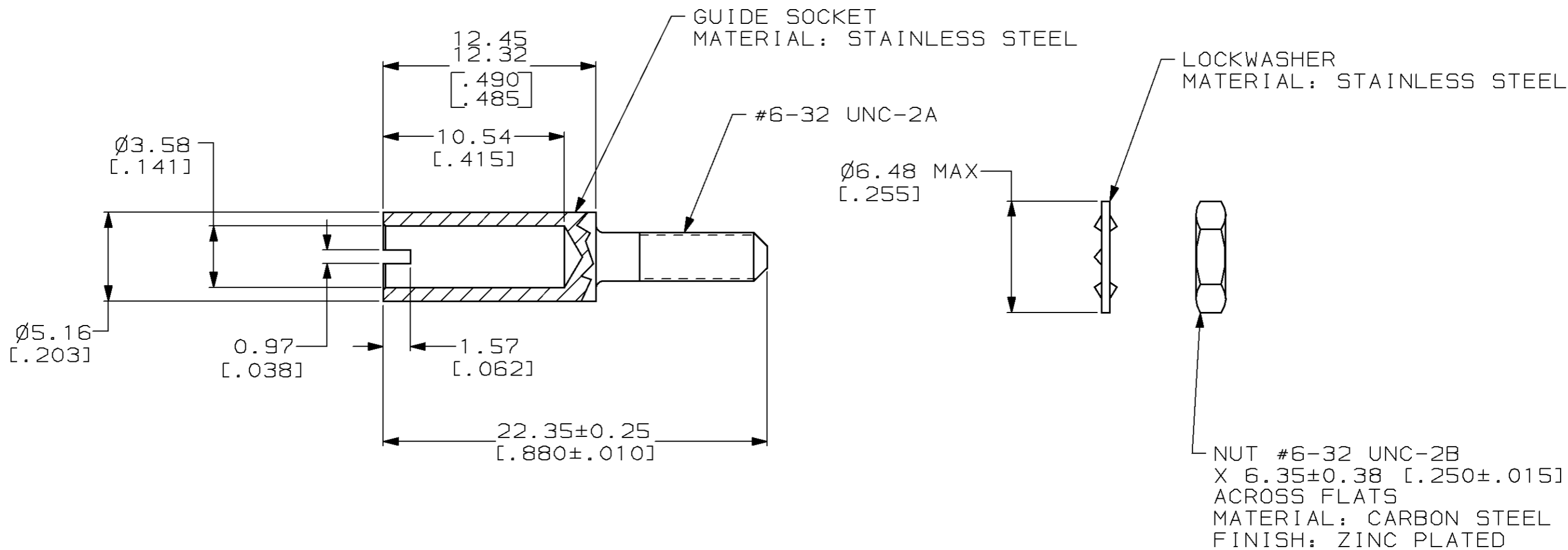
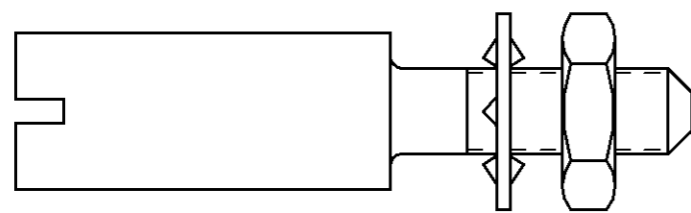


THIS DRAWING IS UNPUBLISHED. RELEASED FOR PUBLICATION, 19 .
 © COPYRIGHT 19 BY AMP INCORPORATED. ALL RIGHTS RESERVED.

LOC	DIST	REVISIONS			
P	LTR	DESCRIPTION	DATE	DWN	APVD
FT	8	H	REDRAWN W/O CHANGE PER EC 0020-287-96	03 JUN 96	-



203966-1
 PART NUMBER



ASSEMBLED VIEW

THIS DRAWING IS A CONTROLLED DOCUMENT.		DWN	B. CARBO	03 JUN 96
DIMENSIONS: mm [INCHES]		CHK	R. STONE	18 JUL 96
TOLERANCES UNLESS OTHERWISE SPECIFIED:		APVD	G. A. STEINHAUER	24 JUL 96
0 PLC	±-	PRODUCT SPEC	NAME	
1 PLC	±-	APPLICATION SPEC	GUIDE SOCKET KIT, CORNER, UNASSEMBLED, MINIATURE RECTANGULAR, 75 & 104 POSITION, M SERIES	
2 PLC	±0.13 [.005]	WEIGHT	SIZE	CAGE CODE
3 PLC	±-	CUSTOMER DRAWING	A3	00779
4 PLC	±-	SCALE	DRAWING NO	
ANGLES	±-	SHEET	C-203966	
MATERIAL	SEE CALLOUTS	SCALE	4:1	SHEET
FINISH	SEE CALLOUTS	OF	1	REV
		H		

单击下面可查看定价，库存，交付和生命周期等信息

[>>TE Connectivity\(泰科\)](#)