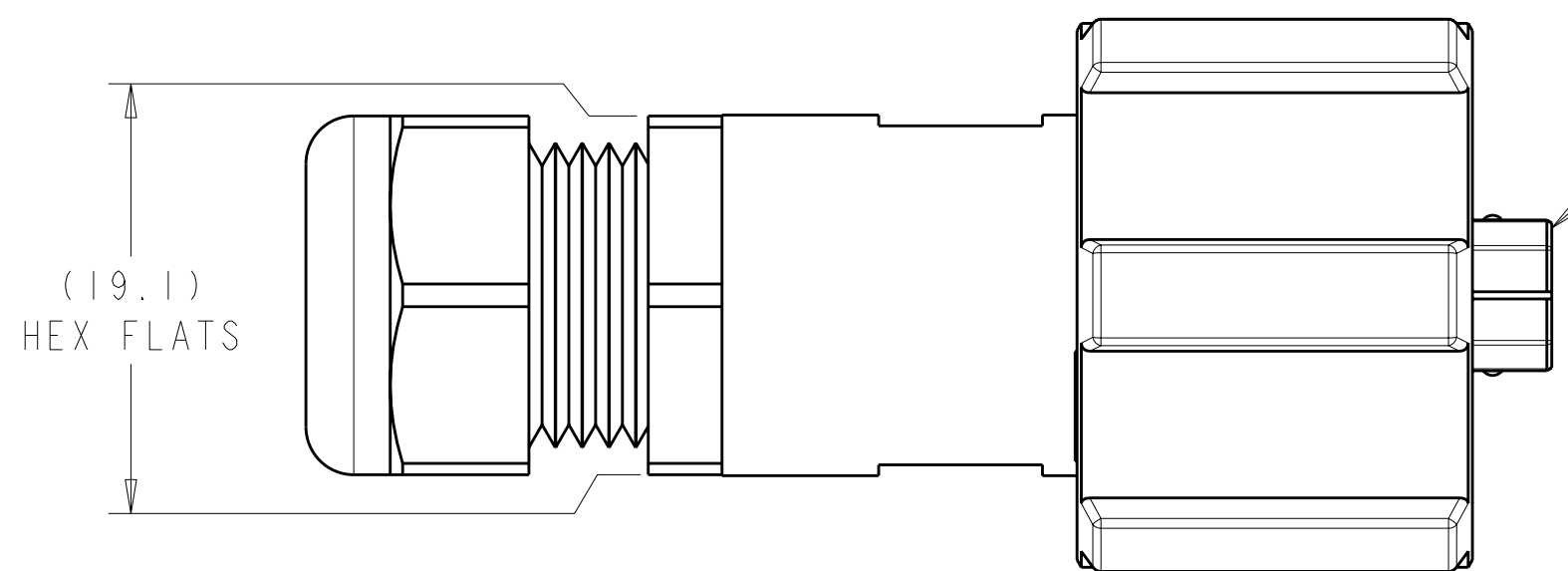
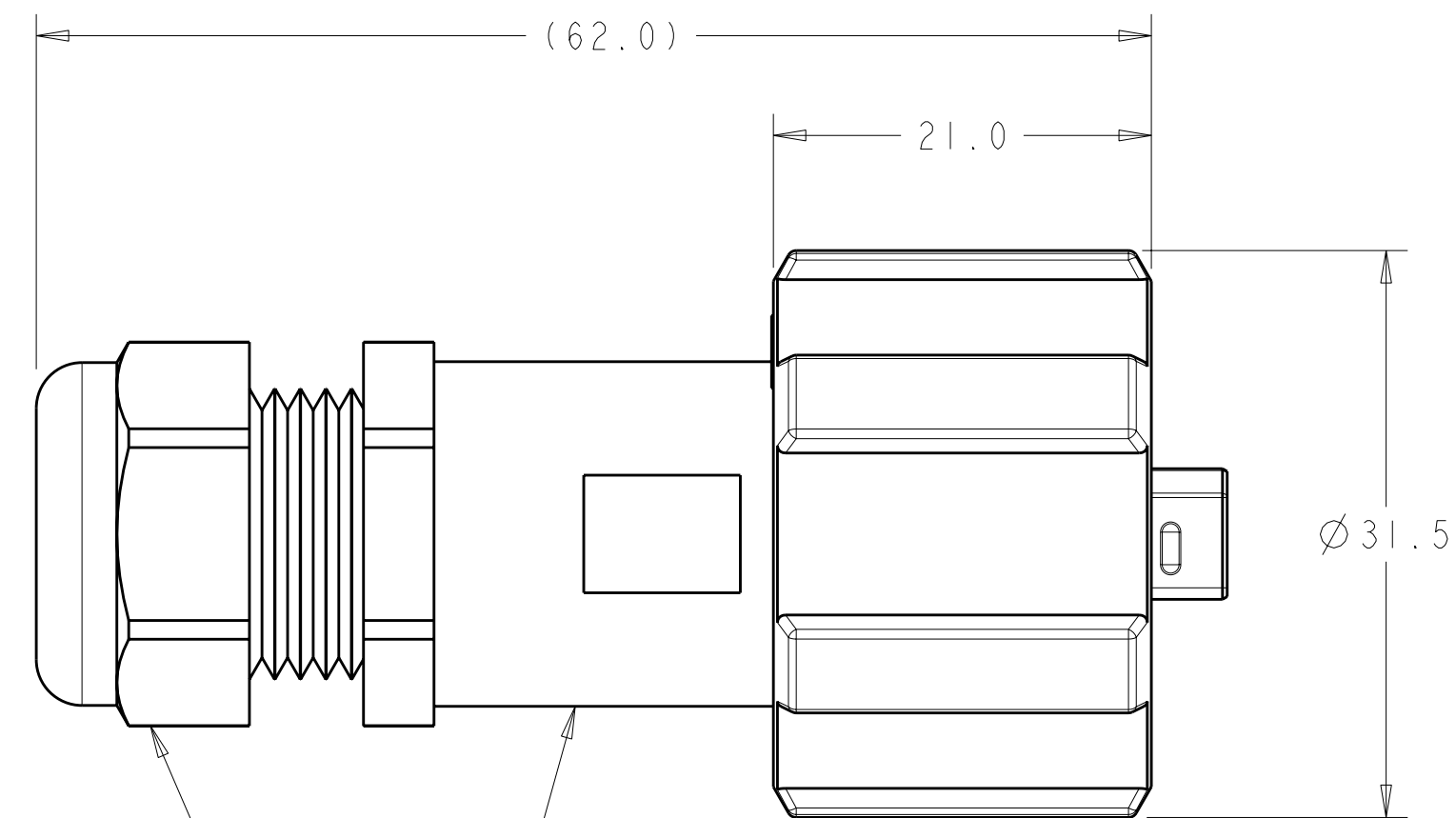


THIS DRAWING IS UNPUBLISHED. RELEASED FOR PUBLICATION 20  
 © COPYRIGHT 20 BY TYCO ELECTRONICS CORPORATION. ALL RIGHTS RESERVED.

LOC	DIST	REVISIONS			
P	LTR	DESCRIPTION	DATE	DWN	APVD
-	-	A	REVISED PER ECO-09-009008	08APR2009	SS MS



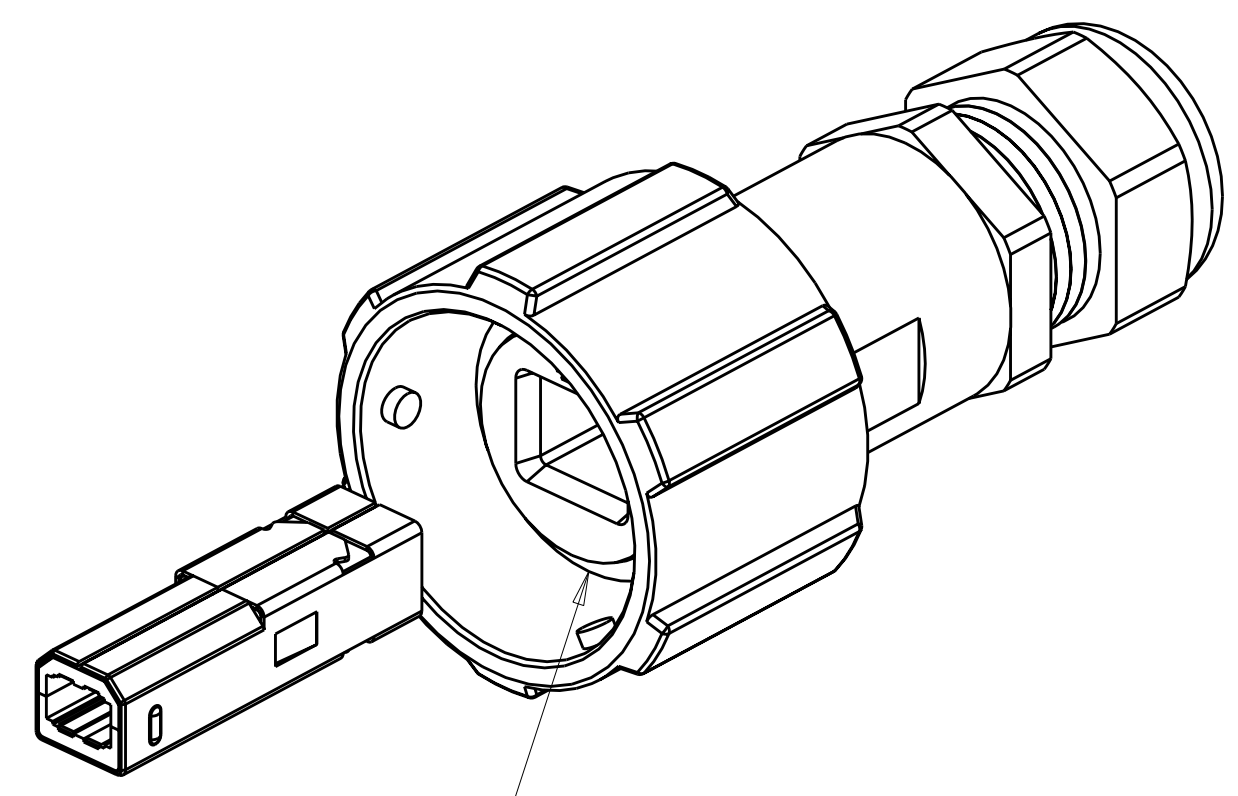
USB HARDWARE PLUG ASSEMBLY, SERIES B  
 HOUSING - PBT  
 CONTACTS - BRASS, GOLD OVER NICKEL  
 SHIELD - STEEL, NICKEL PLATED



1 CABLE FITTING AND ELASTOMER  
 POLYAMIDE COLOR: BLACK

3 PLUG HOUSING  
 POLYESTER, COLOR: BLACK

COUPLING RING  
 POLYESTER, COLOR: BLACK



4 INTERFACIAL SEAL  
 ELASTOMER, COLOR: ORANGE-RED

SCALE 2:1

1 CABLE DIAMETER RANGE, 4.6 mm TO 7.9 mm, CABLE FITTING ONLY, SEE APPLICATION SPECIFICATION FOR PLUG TERMINATION INFORMATION

2. PARTS PACKAGED UNASSEMBLED IN POLYBAG.

3 GEOMETRY CAN VARY.

4 ELASTOMER SEAL IS SECURED TO HOUSING WITH ADHESIVE.

1954640-1

PART NO.

THIS DRAWING IS A CONTROLLED DOCUMENT FOR TYCO ELECTRONICS CORPORATION. IT IS SUBJECT TO CHANGE AND THE CONTROLLING ENGINEERING ORGANIZATION SHOULD BE CONTACTED FOR THE LATEST REVISION.		DWN RAGHU 29NOV2006	Tyco Electronics Harrisburg, PA 17105-3608	
DIMENSIONS: mm		CHK J. LANDIS 29NOV2006	NAME PLUG KIT, SERIES B CIRCULAR SEALED USB CONNECTOR	
TOLERANCES UNLESS OTHERWISE SPECIFIED:		APVD -	PRODUCT SPEC 108-2318	SIZE A2
0 PLC ±0.3		APPLICATION SPEC 114-13211	CAGE CODE 00779	DRAWING NO. 1954640
1 PLC ±0.2		WEIGHT -	RESTRICTED TO -	
2 PLC ±0.10		CUSTOMER DRAWING	SCALE 5:2	SHEET 1 OF 1
3 PLC ±				REV A
4 PLC ±				
ANGLES ±1°				
FINISH				

单击下面可查看定价，库存，交付和生命周期等信息

[>>TE Connectivity\(泰科\)](#)