

THIS DRAWING IS UNPUBLISHED. RELEASED FOR PUBLICATION
 © COPYRIGHT BY TYCO ELECTRONICS CORPORATION. ALL RIGHTS RESERVED.

LOC	DIST	REVISIONS			
P	LTR	DESCRIPTION	DATE	DWN	APVD
AD	00	B	ECR-12-016821	24DEC12	W.W C.W

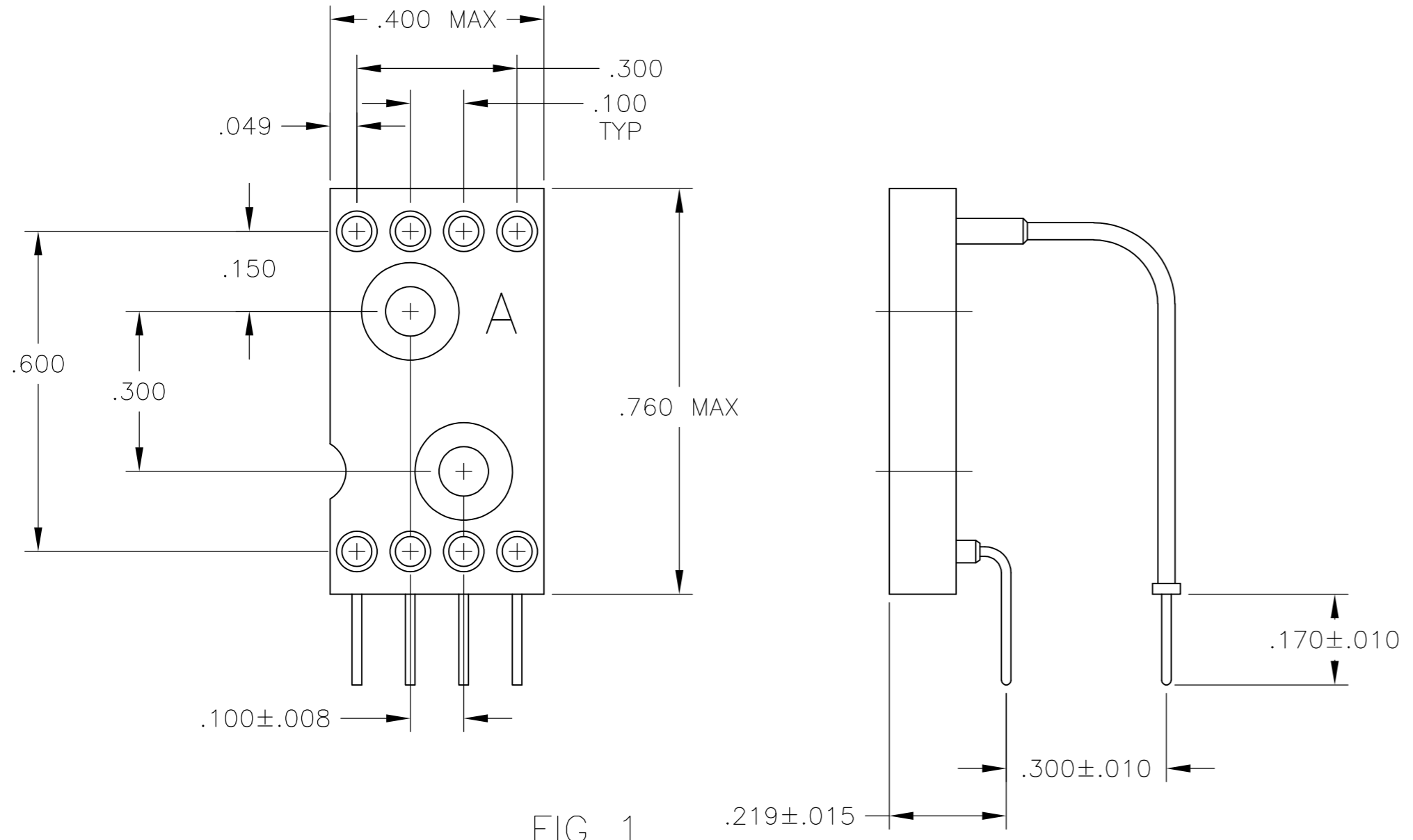


FIG 1
508-AG8D

DESCRIPTION	AUGAT PART NUMBER	TE PART NUMBER
RIGHT ANGLE MTG. PRINTED CIRCUIT	508-AG8D-LF	—1825412-1—
HORIZONTAL MTG. PRINTED CIRCUIT	508-AG4D-LF	9-6437529-4
HORIZONTAL MTG. SOLDER POCKET	508-AG4A-LF	9-6437529-3
RIGHT ANGLE MTG. PRINTED CIRCUIT	508-AG8D	9-1437529-7
HORIZONTAL MTG. PRINTED CIRCUIT	508-AG4D	9-1437529-4
HORIZONTAL MTG. WIRE WRAP	508-AG4F	9-1437529-5
HORIZONTAL MTG. SOLDER POCKET	508-AG4A	9-1437529-3
HORIZONTAL MTG. WIRE WRAP	508-AG36F	N/A

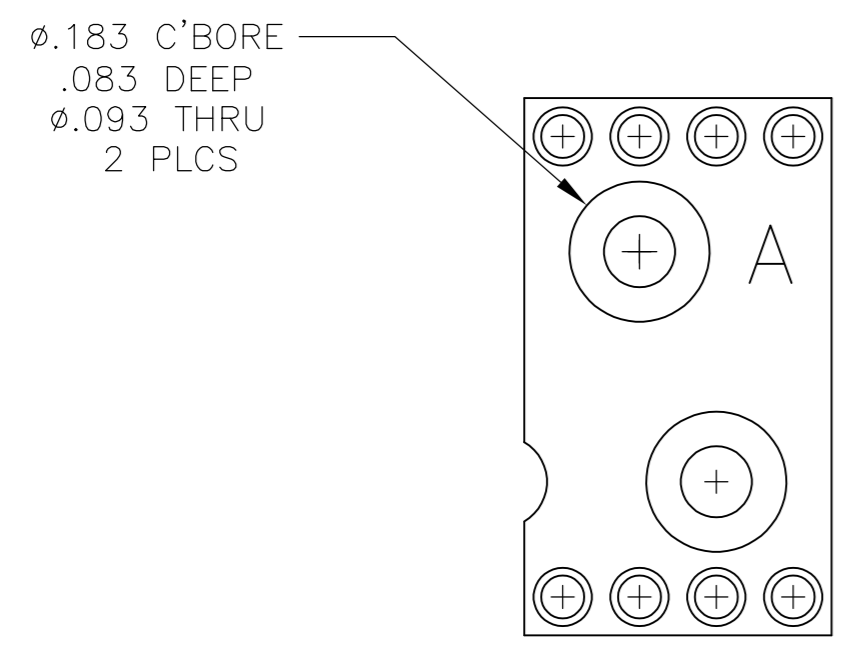


FIG 2
508-AG4F

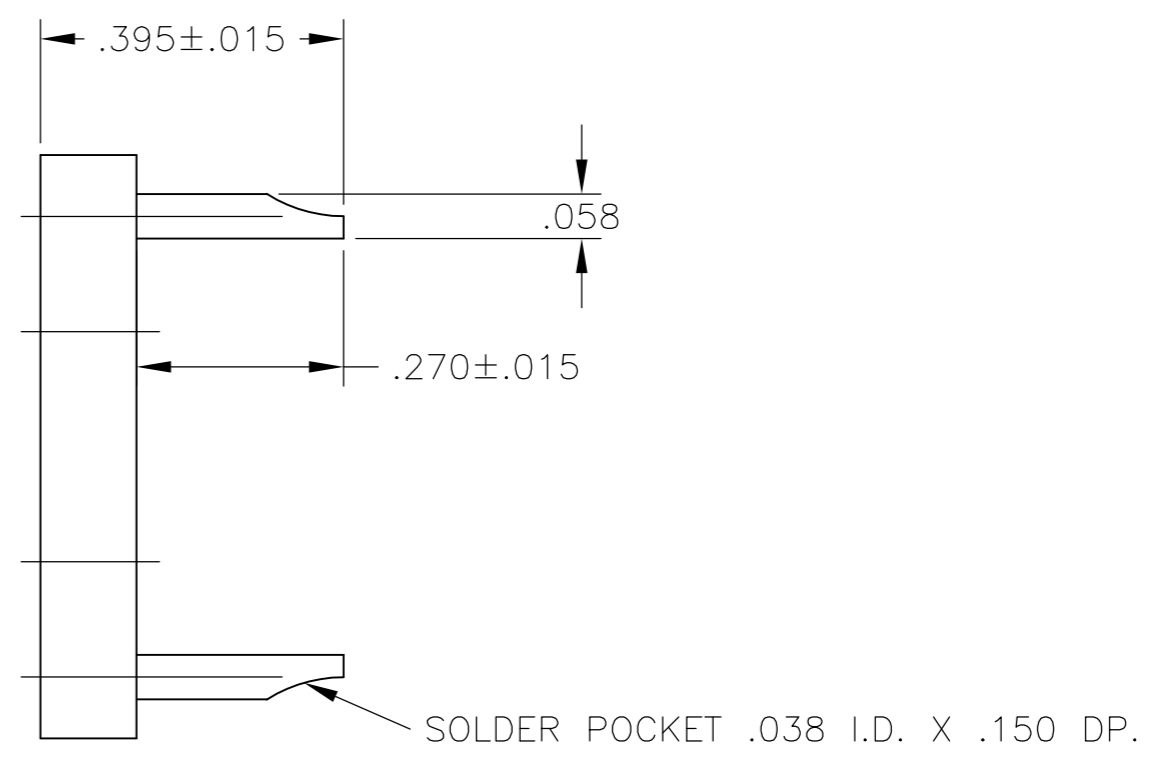
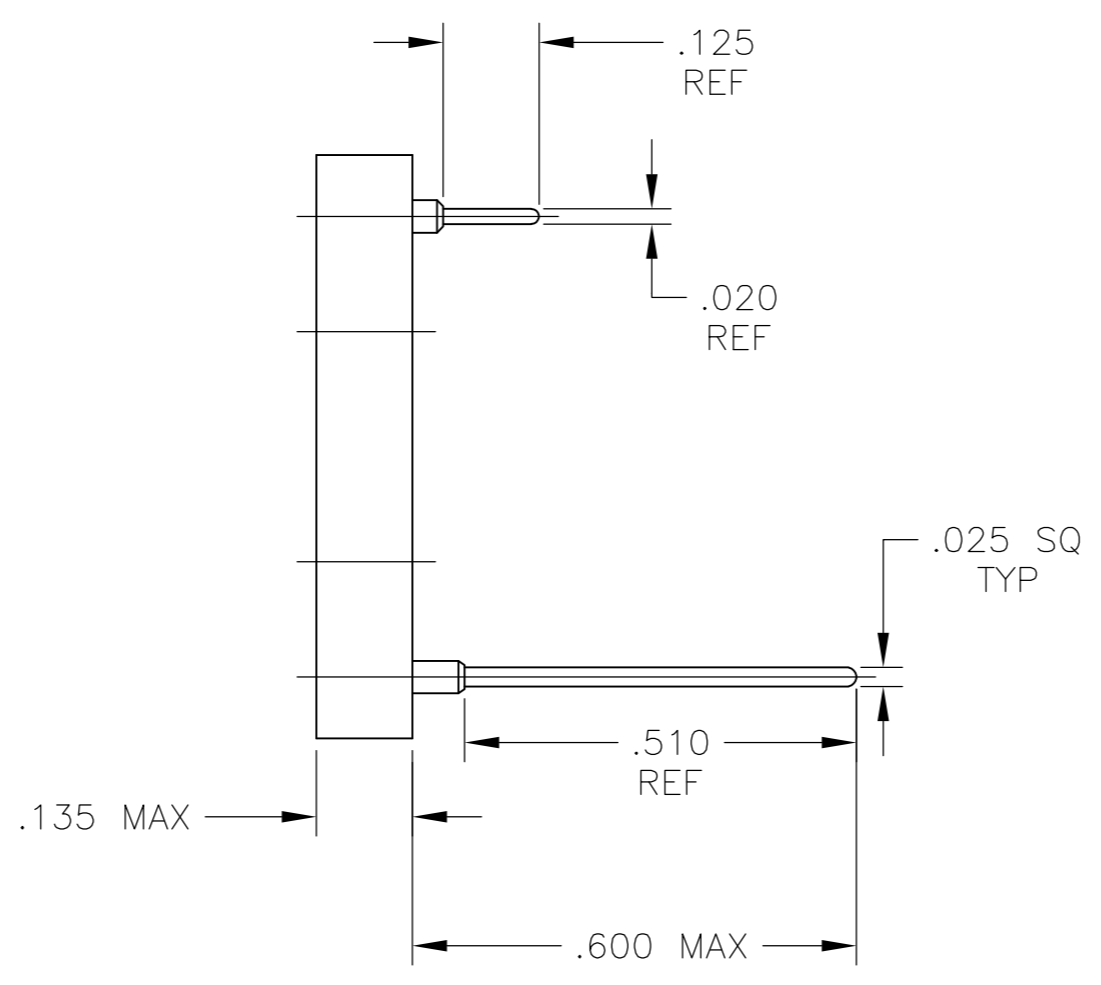


FIG 3
508-AG4A

1 MATERIAL AND FINISH:
 INSULATOR: THERMOPLASTIC POLYESTER, UL 94V-0, BLACK
 CONTACT: BERYLLIUM COPPER GOLD OVER NICKEL PLATE
 SLEEVE: BRASS TIN PLATE
 SLEEVE G36F ONLY: BRASS, GOLD OVER NICKEL PLATE

THIS DRAWING IS A CONTROLLED DOCUMENT.		DWN M.BINNER 05OCT2005	Tyco Electronics Corporation Harrisburg, PA 17105-3608	
DIMENSIONS: INCHES		CHK K.DEBOCK 06OCT05	NAME	
TOLERANCES UNLESS OTHERWISE SPECIFIED:		APVD K.DEBOCK 06OCT05	L.E.D. SOCKET ASSEMBLY	
0 PLC ± -		PRODUCT SPEC	SIZE	CAGE CODE
1 PLC ± -		APPLICATION SPEC	A2	00779
2 PLC ± -		WEIGHT	DRAWING NO	
3 PLC ± .005		—	C=9-1437529-3	
4 PLC ± -		CUSTOMER DRAWING	SCALE	SHEET
ANGLES ± 1°		1:1	1	1
FINISH		REV	B	

9-1437529-3

单击下面可查看定价，库存，交付和生命周期等信息

[>>TE Connectivity\(泰科\)](#)