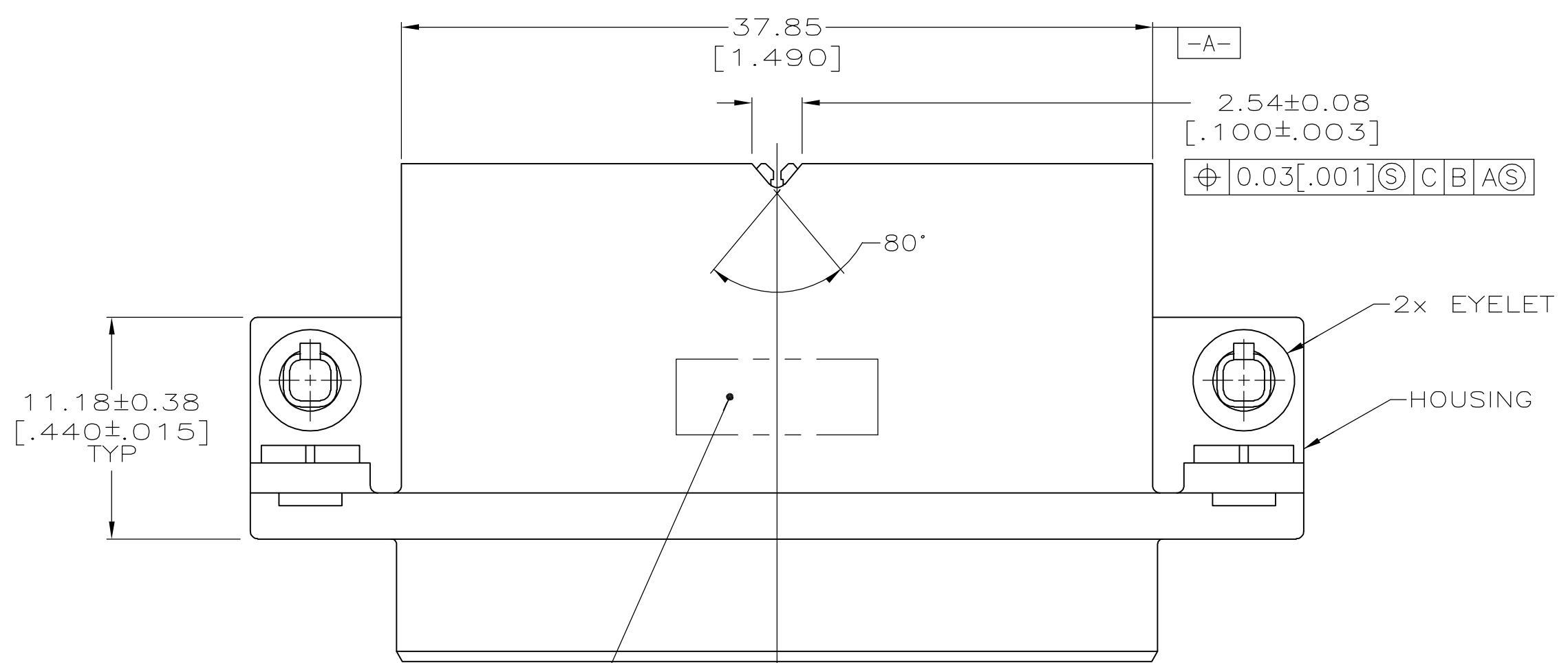
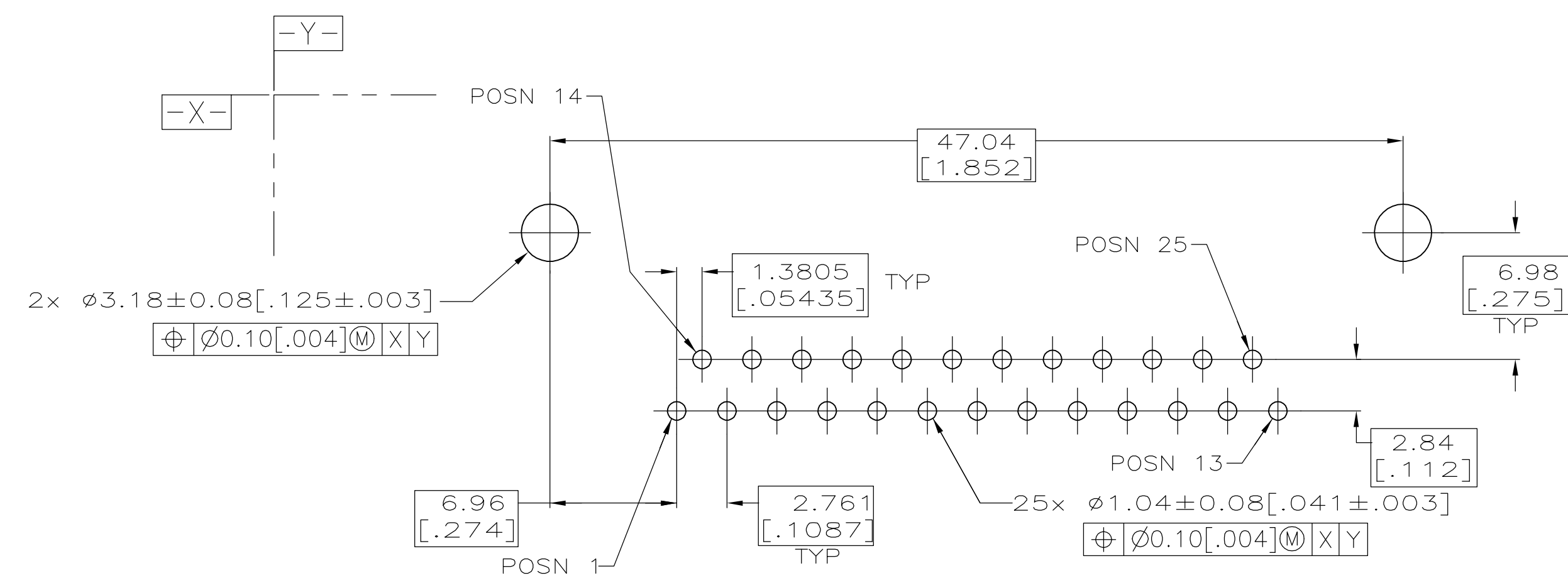


LOC		DIST		REVISIONS			
P	LTR	DATE	DESCRIPTION	DATE	DWN	APVD	
0		21SEP05	RELEASED PER EC DS13-0087-05	21SEP05	GP	JG	

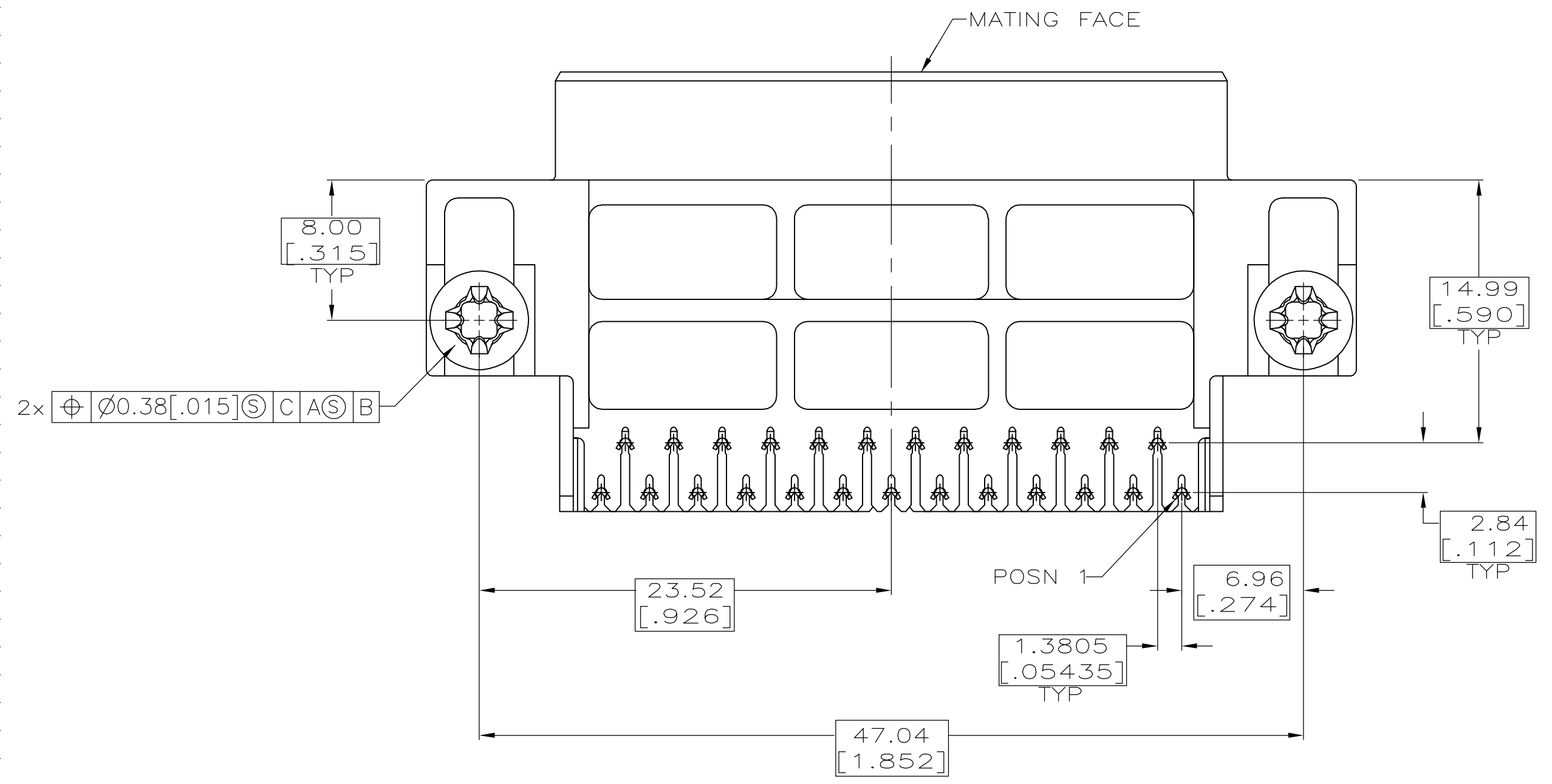
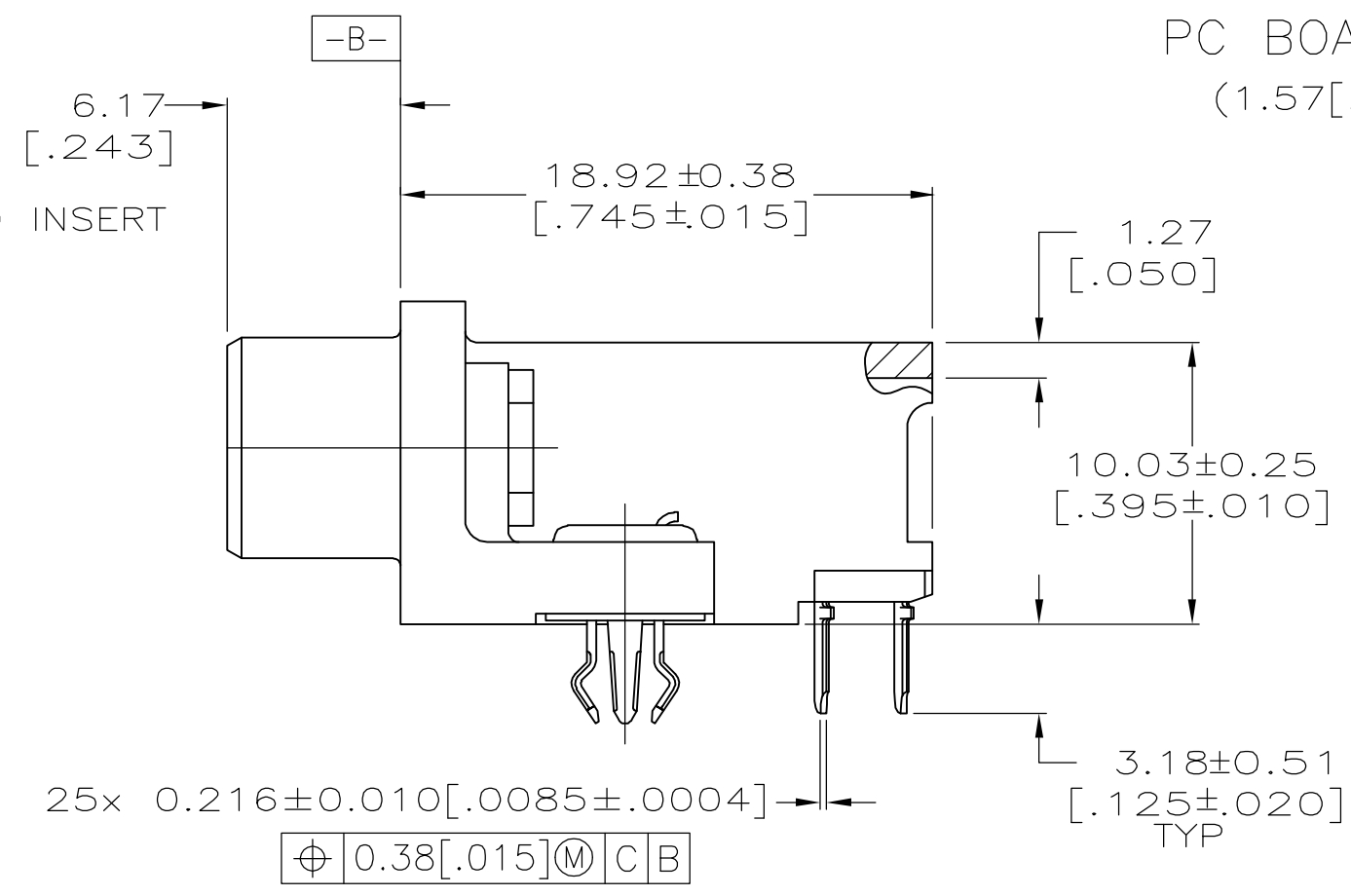
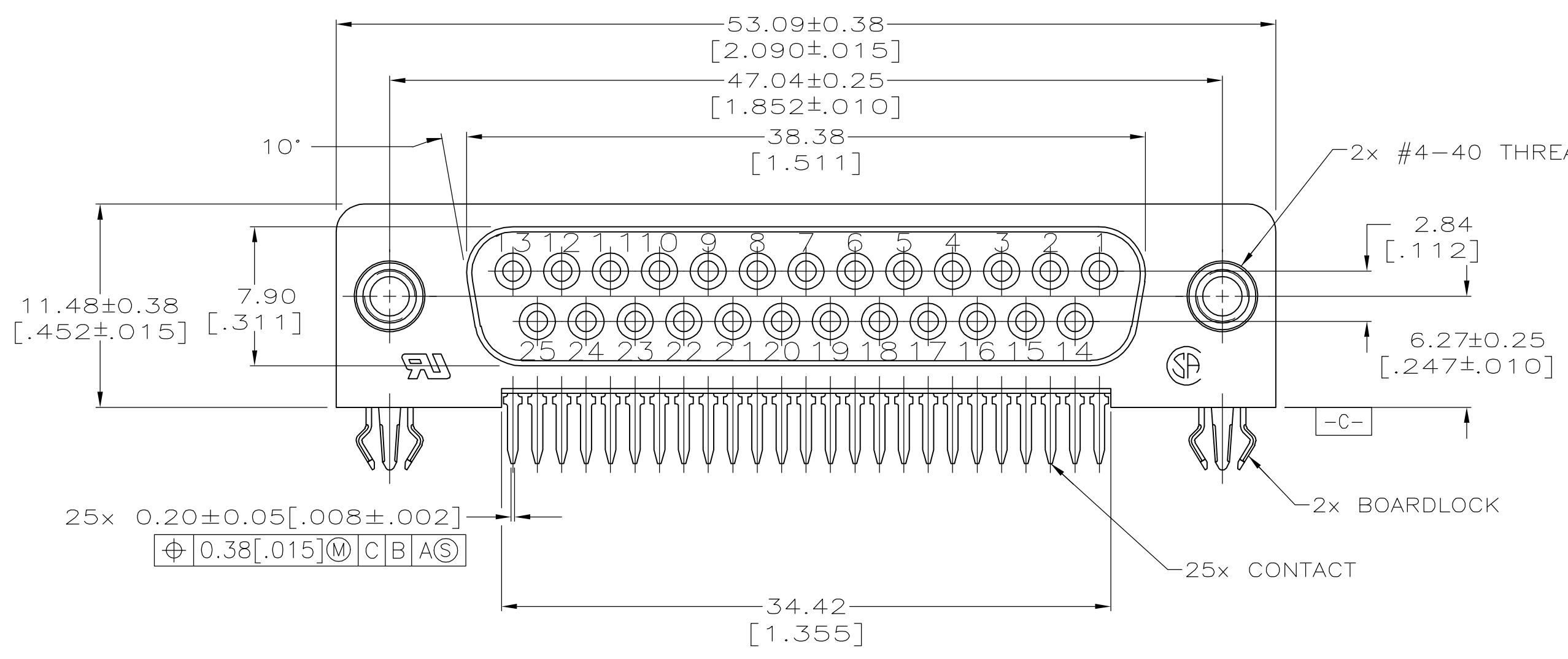


TYCO, PART NO & DATE CODE, MARKED IN AREA INDICATED



PC BOARD MOUNTING DIMENSIONS  
(1.57[.062] PC BOARD THICKNESS)

- ⚠ POSITION TOLERANCE APPLIES AT TIP ONLY.
- ⚠ HOUSING: FLAME RETARDANT UL94V-0 RATED, NYLON OR POLYESTER, COLOR BLACK.
- CONTACTS: PHOSPHOR BRONZE
- EYELETES: BRASS
- INSERTS: ZINC
- BOARDLOCKS: COPPER ALLOY
- ⚠ EYELETES: 2.54 μm[.000100] MIN TIN OVER COPPER FLASH.
- BOARDLOCKS: 3.81 μm[.00015] MIN TIN OVER 1.27 μm [.000050] MIN NICKEL.
- CONTACTS: 0.76 μm[.000030] MIN GOLD FOR A LENGTH OF 1.52[.060] MIN FROM MATING END, 2.54 μm[.0001] MIN TIN FOR A LENGTH OF 3.68[.145] MIN FROM OPPOSITE END, BOTH OVER 1.27 μm[.00050] MIN NICKEL.
- INSERTS: CLEAR CHROMATE COATING.



5748909-1  
PART NO

**COPYRIGHT 2005  
TYCO ELECTRONICS CORP  
ALL RIGHTS RESERVED**

THIS DRAWING IS A CONTROLLED DOCUMENT.		DWN G.PETERS 21SEP05	Tyco Electronics Corporation Harrisburg, PA 17105-3608
DIMENSIONS: mm [INCHES]		CHK S.BOLASH 21SEP05	
TOLERANCES UNLESS OTHERWISE SPECIFIED:		APVD M.WALMSLEY 21SEP05	NAME
0 PLC ± -		PRODUCT SPEC	RECEPTACLE ASSEMBLY, SIZE 3, 25
1 PLC ± -		APPLICATION SPEC	POSN, ALL PLASTIC, RIGHT ANGLE
2 PLC ± 0.13 [005]		SIZE	.590 SERIES, AMPLIMITE
3 PLC ± -		SCALE	114-40027
4 PLC ± -		WEIGHT	114-40027
ANGLES ± z		RESTRICTED TO	
MATERIAL		FINISH	SCALE 4:1 SHEET 1 OF 1 REV 0
CUSTOMER DRAWING		A1 00779 C=5748909	

单击下面可查看定价，库存，交付和生命周期等信息

[>>TE Connectivity\(泰科\)](#)