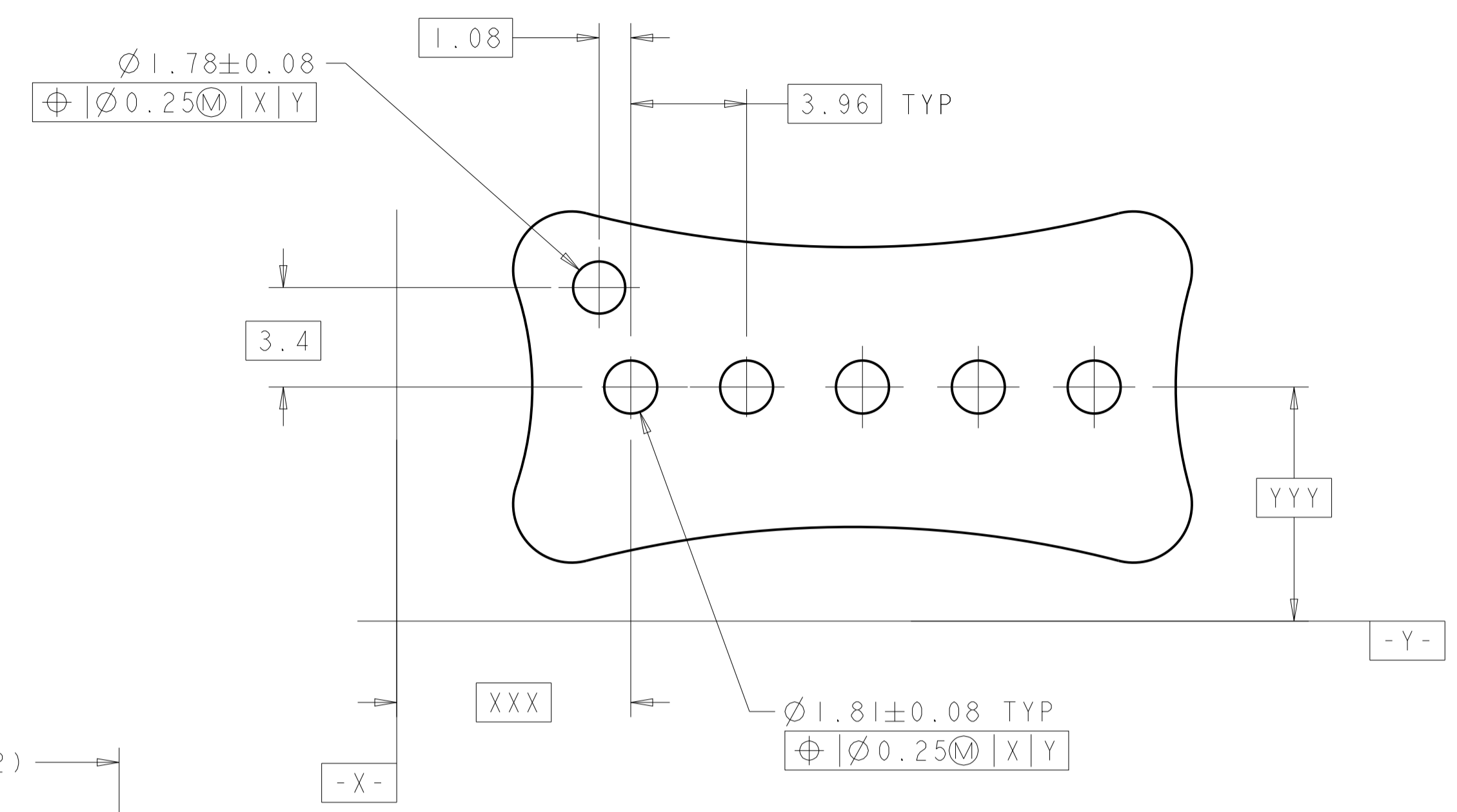
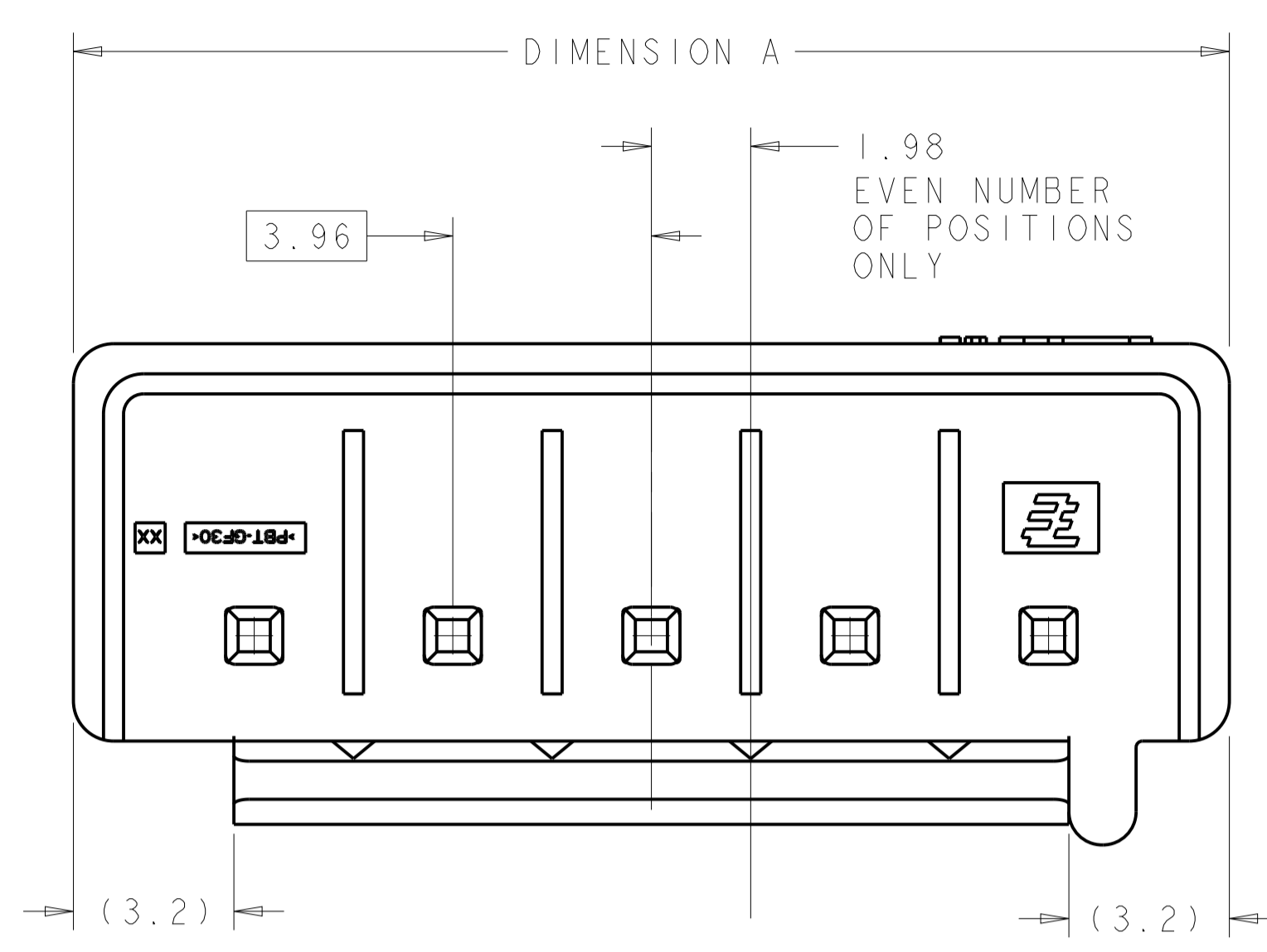
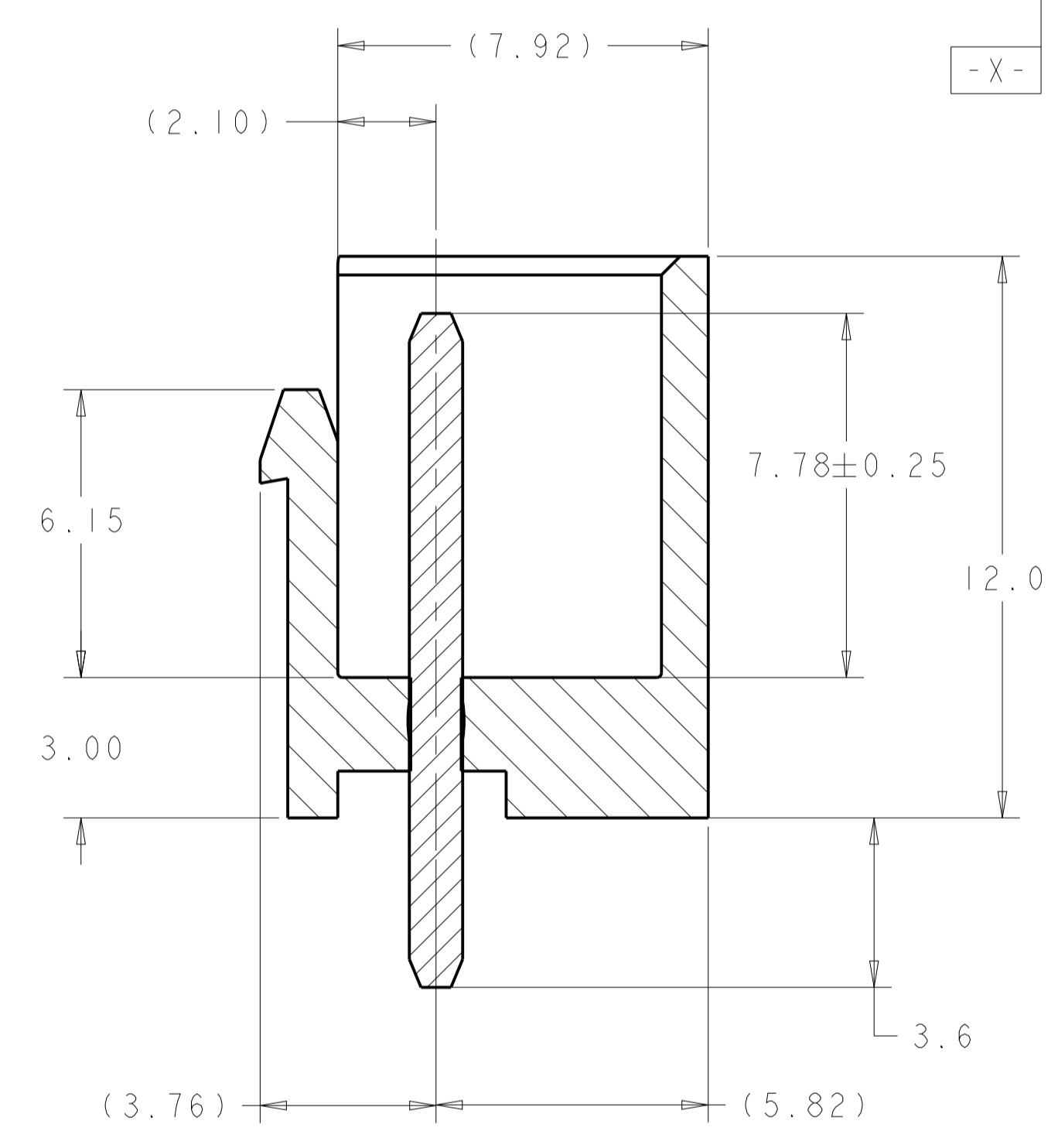
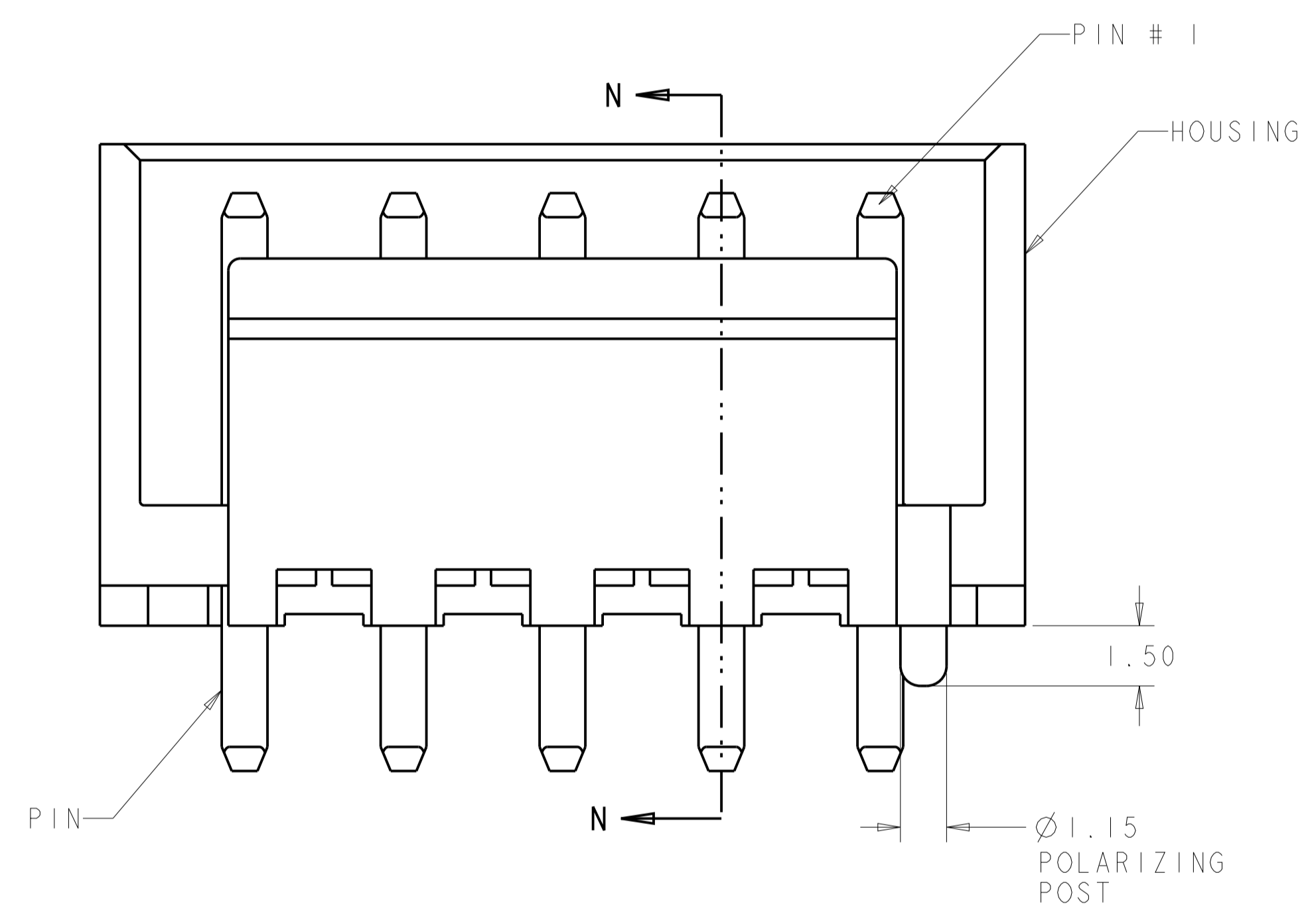


LOC	DIST	REVISIONS			
P	LTN	DESCRIPTION	DATE	DWN	APVD
A		REVISED PER ECR-14-002687	07MAR2014	NK	TM

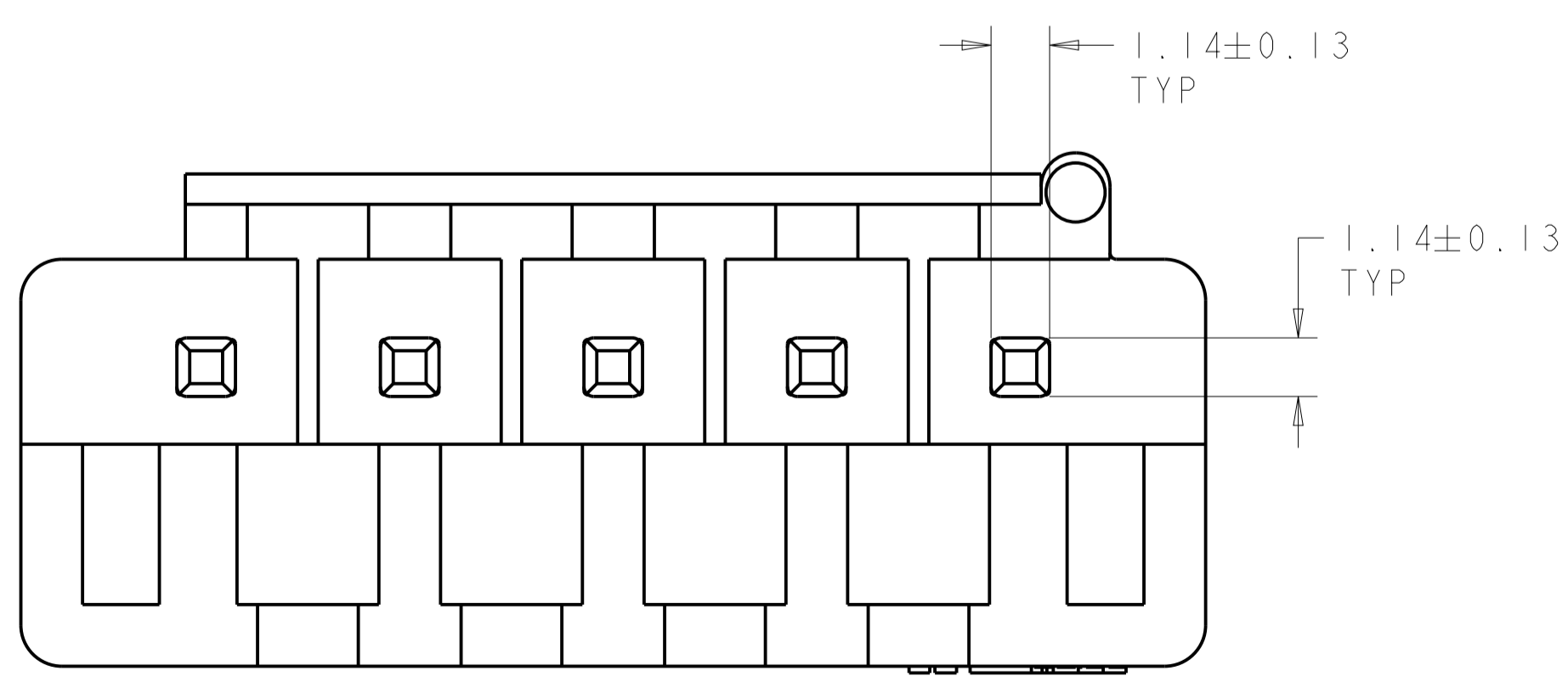


RECOMMENDED PCB LAYOUT  
SCALE 6:1

- ⚠ MATERIAL: HOUSING; PBT GLASS FILLED UL94V-0  
PIN; BRASS, GREEN
- ⚠ FINISH: PIN, 1.0µm MIN TIN OVER 0.8µm MIN NICKEL.



SECTION N-N



50.77	12	1-1744485-2
46.81	11	1-1744485-1
42.85	10	1-1744485-0
38.89	9	1744485-9
34.93	8	1744485-8
30.97	7	1744485-7
27.01	6	1744485-6
23.05	5	1744485-5
19.09	4	1744485-4
15.13	3	1744485-3
11.17	2	1744485-2
DIM A	POS	ASSEMBLY PART NO.

THIS DRAWING IS A CONTROLLED DOCUMENT.

DWN: KIRAN\_HOLAL 11AUG2012  
CHK: MACE\_SAM 11AUG2012  
APVD: MACE\_SAM 11AUG2012

DIMENSIONS: mm  
TOLERANCES UNLESS OTHERWISE SPECIFIED:  
0 PLC ±0.50  
1 PLC ±0.30  
2 PLC ±0.30  
3 PLC ±0.30  
4 PLC ±0.30  
ANGLES ±0.50

MATERIAL: FINISH:

Customer Drawing

SCALE 8:1 SHEET 1 OF 1 REV A

**STE** TE Connectivity

NAME: SHROUDED HEADER ASSEMBLY, SINGLE LATCH, 3.96mm PITCH, ECONOMY POWER (EP), GREEN

PRODUCT SPEC: 108-5609  
APPLICATION SPEC: -

SIZE: A100779 C=1744485  
WEIGHT: -

单击下面可查看定价，库存，交付和生命周期等信息

[>>TE Connectivity\(泰科\)](#)