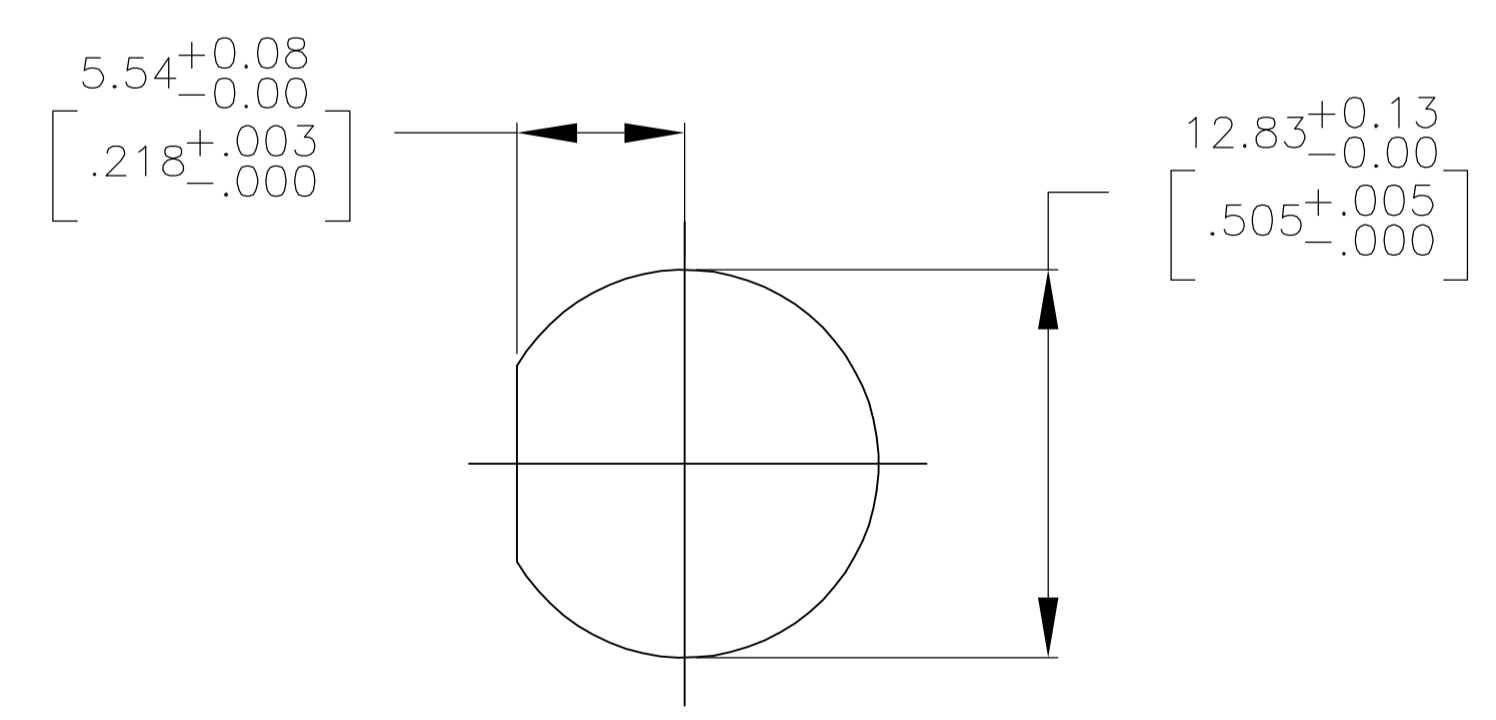
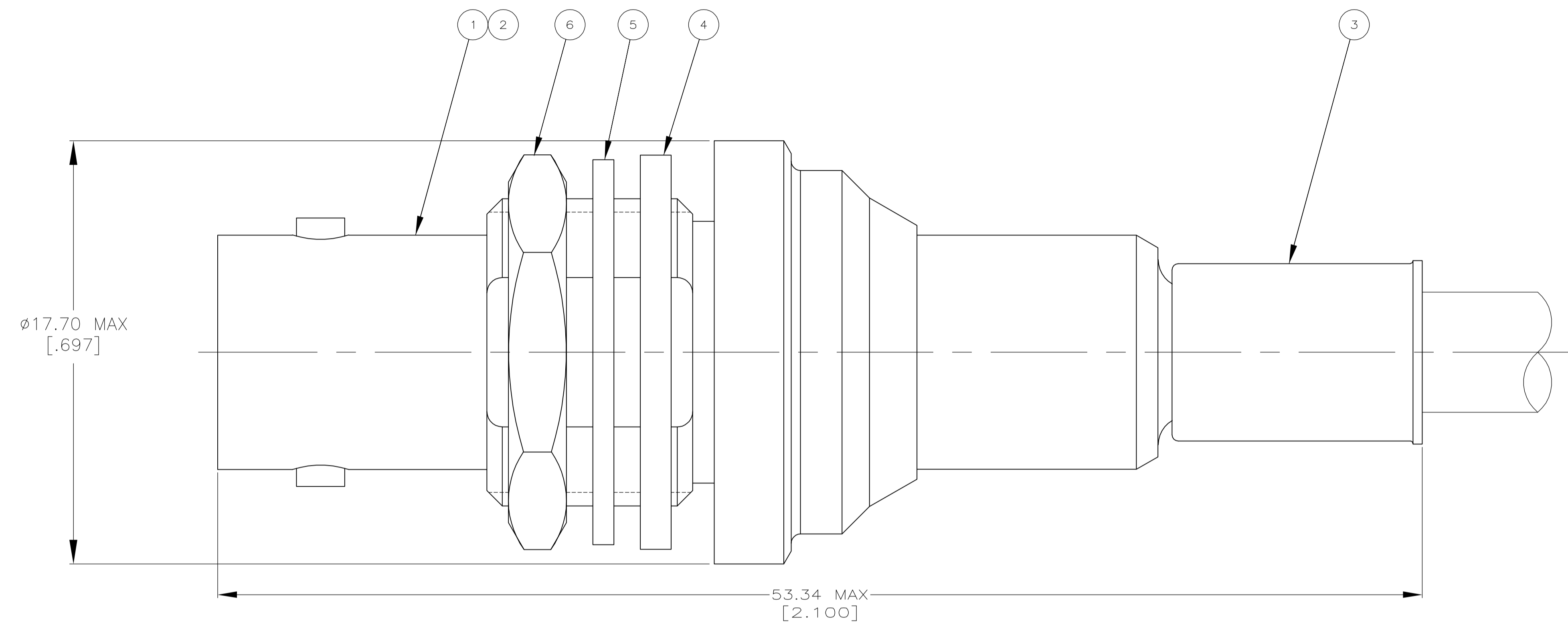
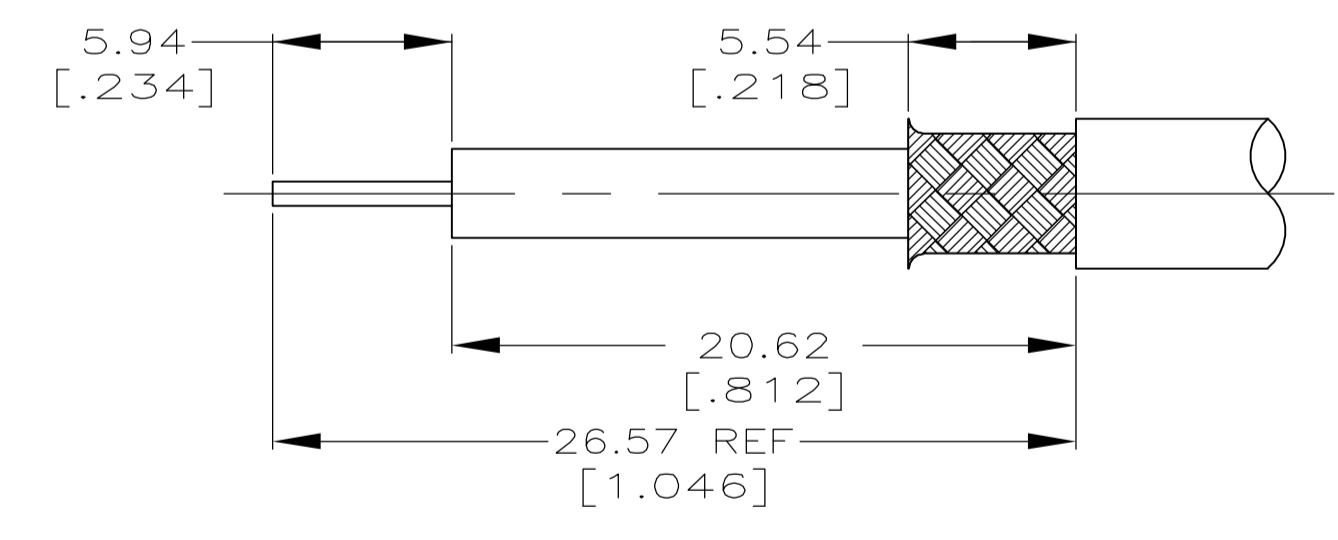


1. MAXIMUM PANEL THICKNESS = 6.35 [.25]
2. USE HAND TOOL 220022-2.
3. USE INSTRUCTION SHEET 408-9821.



RECOMMENDED PANED CUTOUT  
SCALE 4:1



RECOMMENDED STRIP LENGTH  
SCALE 4:1

RG-59/U, 59A/U, 59B/U, 62/U, 62A/U, 62B/U	1-329631-2	1-329632-2	328633	9-50428-0	225057-2	225060-4	5225059-3
FOR USE WITH CABLE	⑥ JAM NUT QTY=1	⑤ LOCK WASHER QTY=1	④ GASKET QTY=1	③ FERRULE QTY=1	② CONTACT QTY=1	① JACK ASSEMBLY QTY=1	PART NUMBER

THIS DRAWING IS A CONTROLLED DOCUMENT.

DIMENSIONS: mm [INCHES]	TOLERANCES UNLESS OTHERWISE SPECIFIED:	0 PLC ± -	1 PLC ± -	2 PLC ± -	3 PLC ± 0.41 [0.16]	4 PLC ± -	ANGLES ± -	FINISH -
MATERIAL -	FINISH -	WEIGHT -	SIZE A1	CAGE CODE 00779	DRAWING NO. 5225059	RESTRICTED TO -		

CUSTOMER DRAWING SCALE 8:1 SHEET 1 OF 1 REV 0

单击下面可查看定价，库存，交付和生命周期等信息

[>>TE Connectivity\(泰科\)](#)