

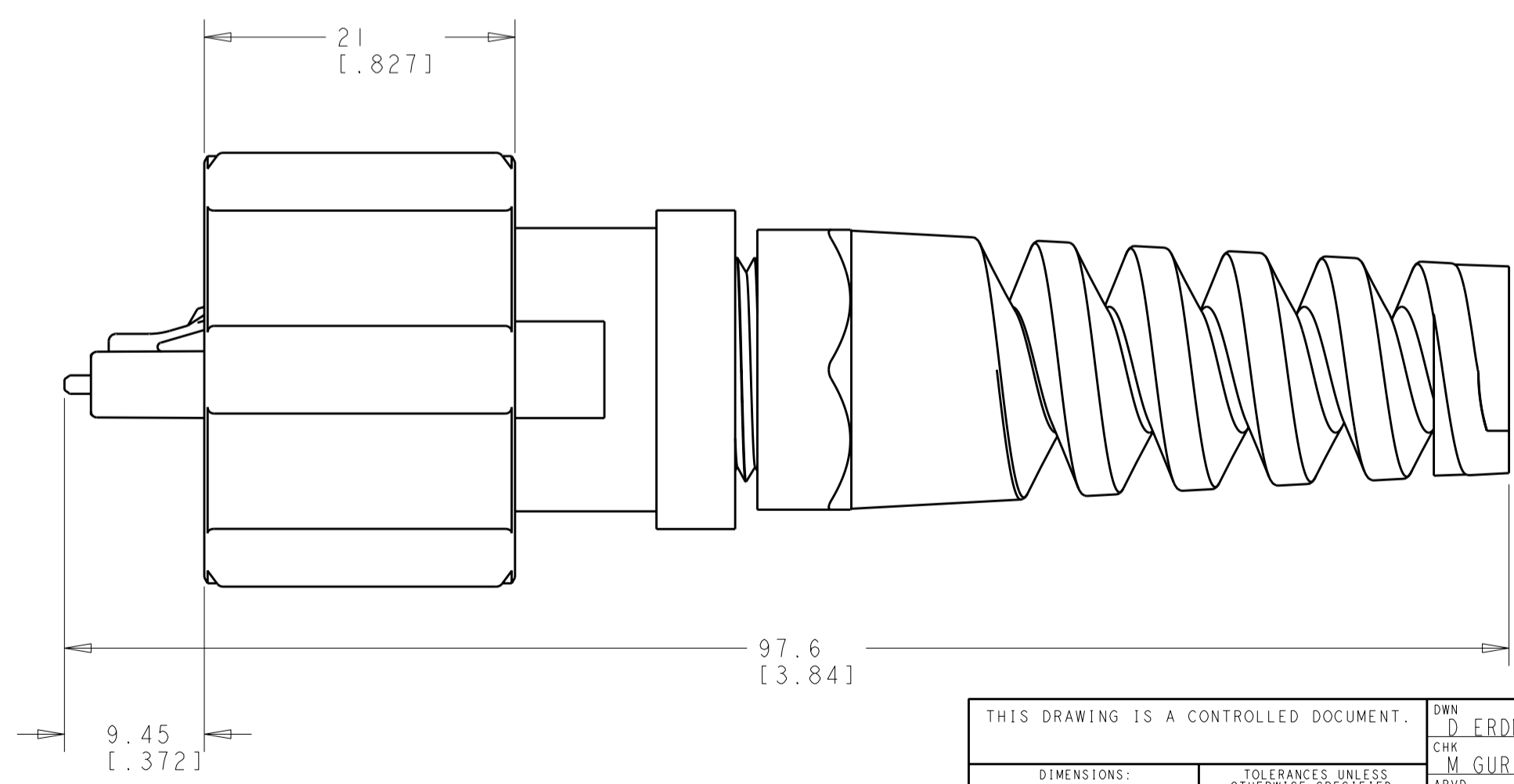
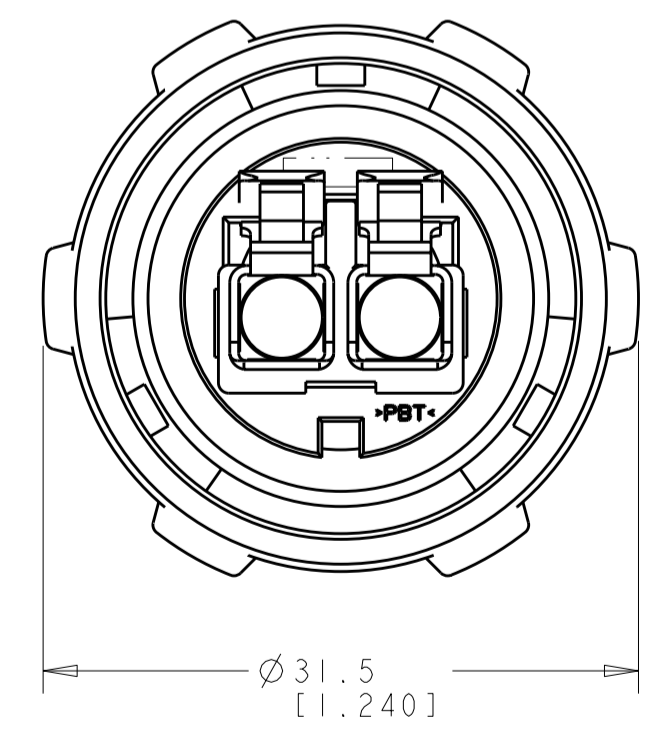
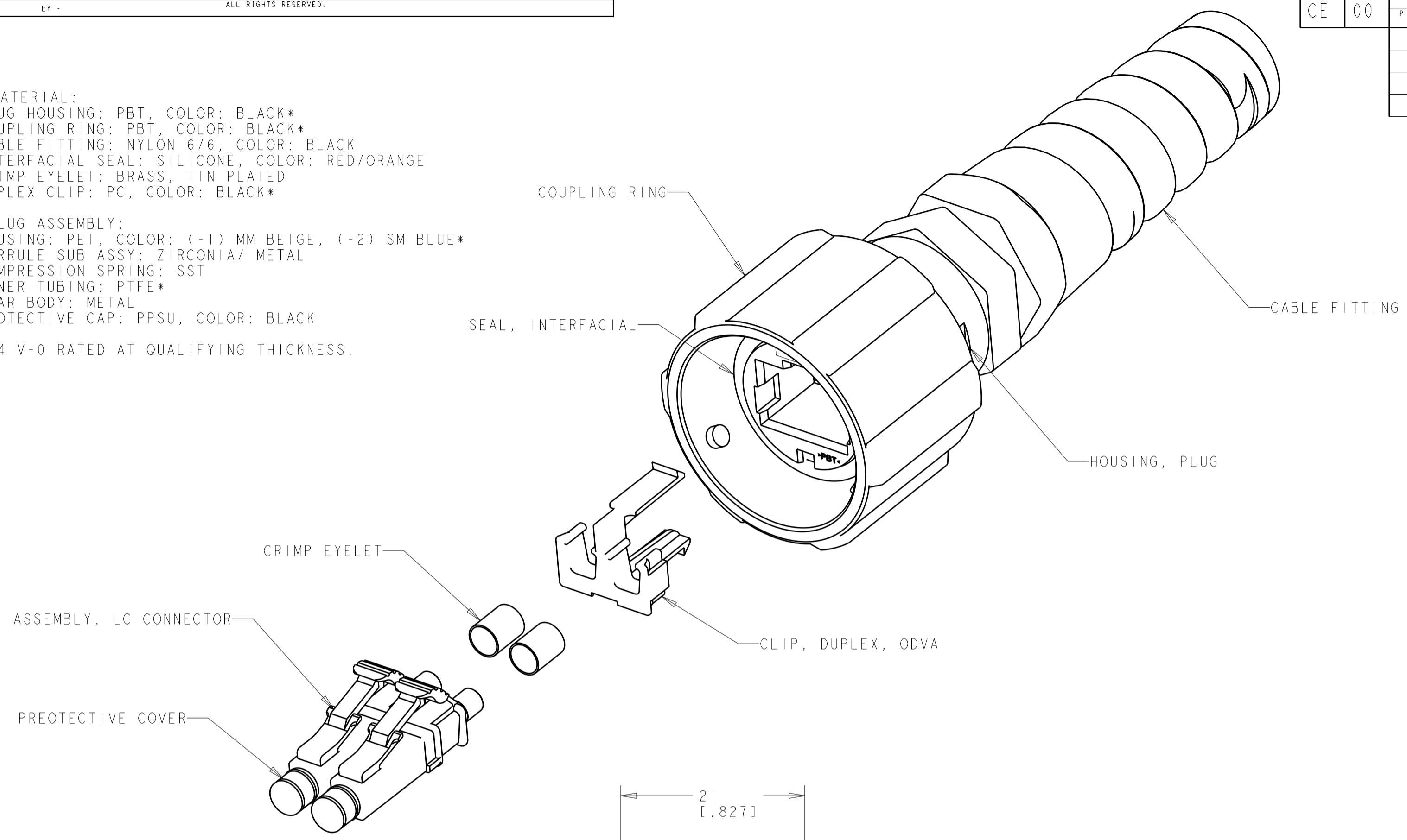
THIS DRAWING IS UNPUBLISHED. RELEASED FOR PUBLICATION 20
 © COPYRIGHT 20 BY - ALL RIGHTS RESERVED.

LOC	DIST	REVISIONS			
P	LTR	DESCRIPTION	DATE	DWN	APVD
CE	00				
	AI	REVISED PER ECO-11-005027	15MAR2011	RK	HMR

MATERIAL:
 PLUG HOUSING: PBT, COLOR: BLACK*
 COUPLING RING: PBT, COLOR: BLACK*
 CABLE FITTING: NYLON 6/6, COLOR: BLACK
 INTERFACIAL SEAL: SILICONE, COLOR: RED/ORANGE
 CRIMP EYELET: BRASS, TIN PLATED
 DUPLEX CLIP: PC, COLOR: BLACK*

LC PLUG ASSEMBLY:
 HOUSING: PET, COLOR: (-1) MM BEIGE, (-2) SM BLUE*
 FERRULE SUB ASSY: ZIRCONIA/ METAL
 COMPRESSION SPRING: SST
 INNER TUBING: PTFE*
 REAR BODY: METAL
 PROTECTIVE CAP: PPSU, COLOR: BLACK

*UL 94 V-0 RATED AT QUALIFYING THICKNESS.



SINGLEMODE	1828618-2
MULTIMODE	1828618-1
DESCRIPTION	PART NO

THIS DRAWING IS A CONTROLLED DOCUMENT.		DWN D. ERDMAN 19MAY2005	TE Connectivity	
DIMENSIONS: mm [IN]		CHK M. GURRERI 19MAY2005		
TOLERANCES UNLESS OTHERWISE SPECIFIED:		APVD D. BAECHEL 19MAY2005	NAME KIT, PLUG, INDUSTRIAL DUPLEX LC ODVA	
0 PLC ±0.1 1 PLC ±0.1 2 PLC ±0.1 3 PLC ± 4 PLC ± ANGLES ± FINISH ±		PRODUCT SPEC -	SIZE A200779	
MATERIAL -		APPLICATION SPEC -	DRAWING NO C-1828618	
		WEIGHT -	RESTRICTED TO -	
		CUSTOMER DRAWING	SCALE 5:2 SHEET 1 OF 1 REV AI	

单击下面可查看定价，库存，交付和生命周期等信息

[>>TE Connectivity\(泰科\)](#)