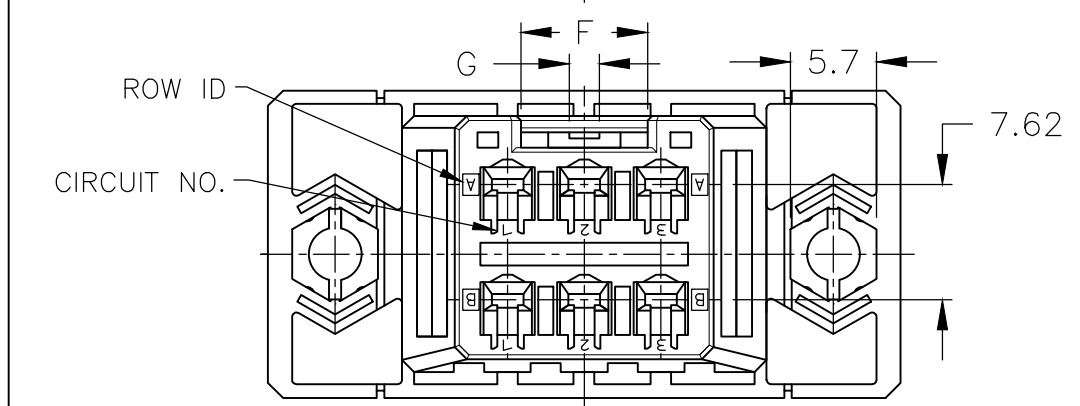
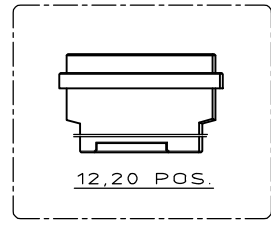
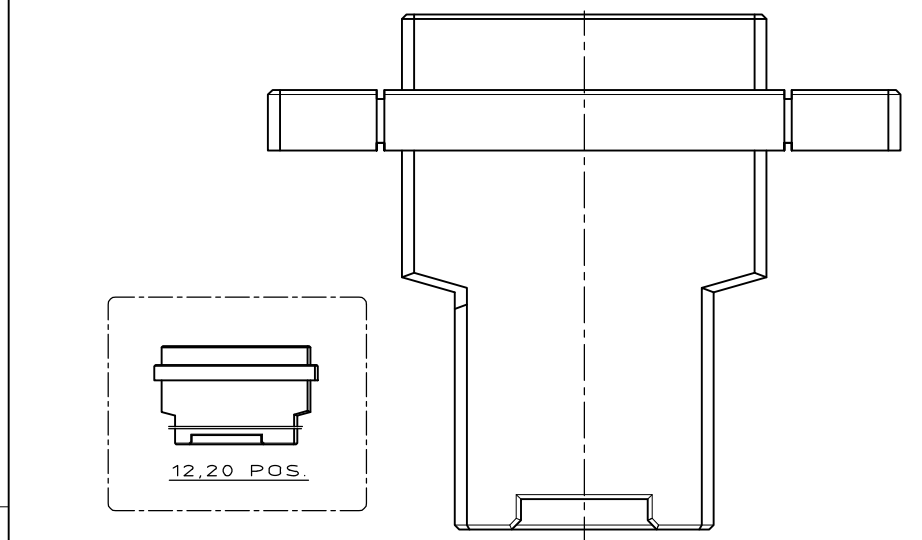
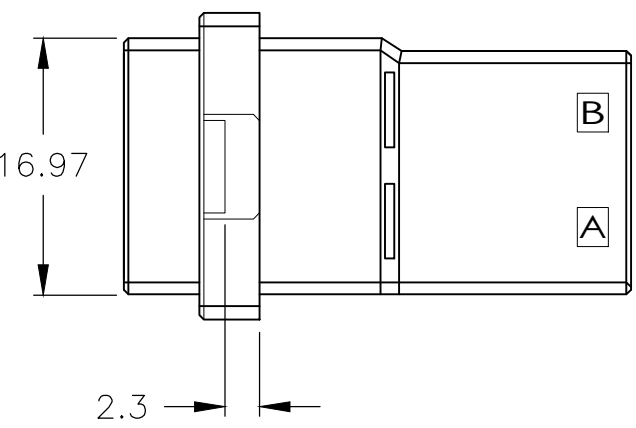
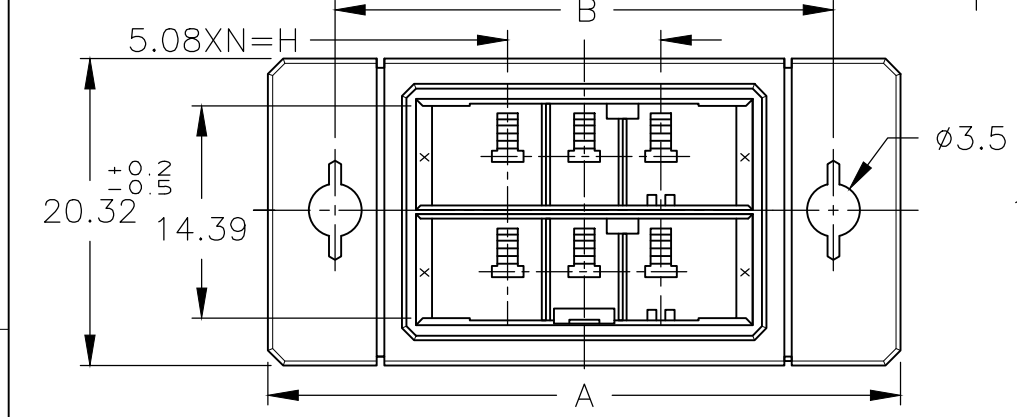
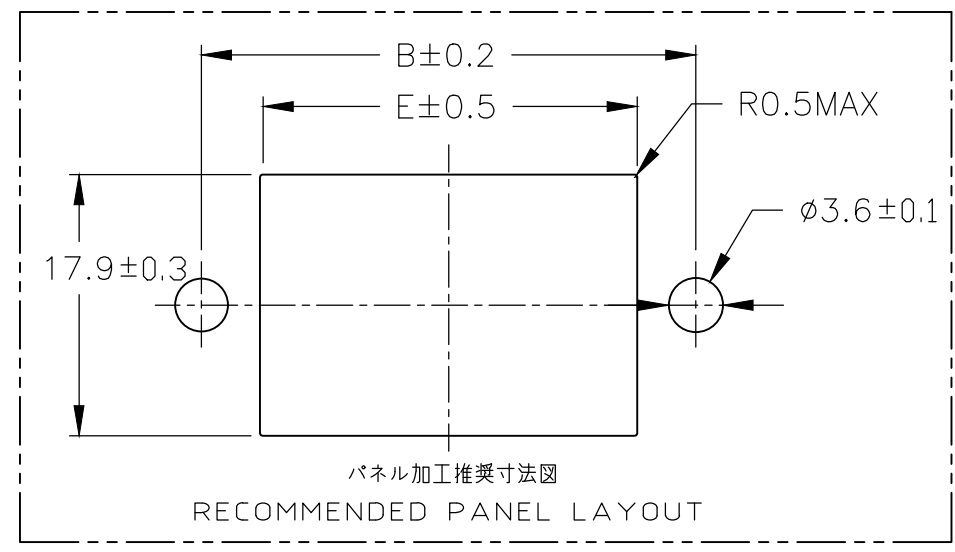
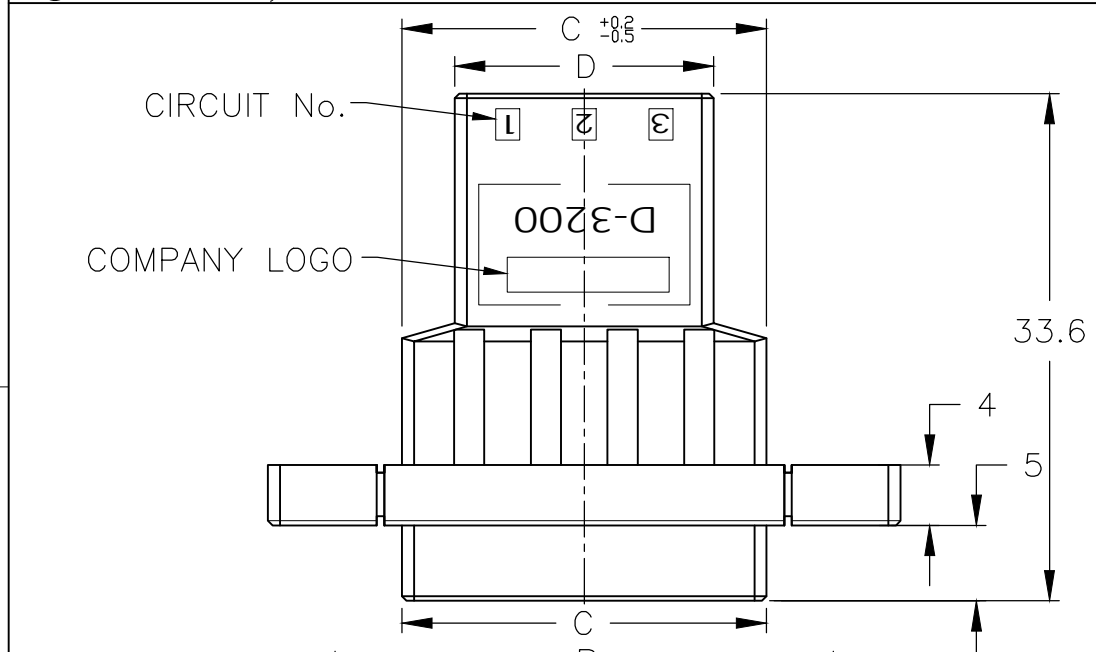


THIS DRAWING IS UNPUBLISHED. RELEASED FOR PUBLICATION
 © COPYRIGHT 1994 By - ALL RIGHTS RESERVED.

LOC	DIST	P	LTR	DESCRIPTION	DATE	DWN	APVD
J	-						
		F		REVISED	16MAR2020	RI	EI



	XX	1-179555-8
	XY	3-179555-6
	YY	2-179555-6
	XX	1-179555-6
	ZZ	4-179555-3
	XY	3-179555-3
	YY	2-179555-3
	XX	1-179555-3
キーイングパターン KEYING PATTERN	キー KEY	型番 PART NUMBER

- 1 MATERIAL:GLASS FILLED THERMO PLASTIC, POLYESTER
COLOR:BLACK
- 2 PANEL ATTACHMENT RECOMMENDATION M3 SCREW
- 1 材料：ガラス入り熱可塑性ポリエステル樹脂 色：黒
- 2 パネル取り付け推奨ネジ M3

20	78.23	70	59.72	52.72	61	18.4	4.3	45.72	9	1-179555-8
12	57.91	49	39.40	32.40	41	18.4	4.3	25.40	5	3-179555-6
12	57.91	49	39.40	32.40	41	18.4	4.3	25.40	5	2-179555-6
12	57.91	49	39.40	32.40	41	18.4	4.3	25.40	5	1-179555-6
6	41.91	33	24.16	17.00	25	8.4	2	10.16	2	4-179555-3
6	41.91	33	24.16	17.16	25	8.4	2	10.16	2	3-179555-3
6	41.91	33	24.16	17.16	25	8.4	2	10.16	2	2-179555-3
6	41.91	33	24.16	17.16	25	8.4	2	10.16	2	1-179555-3
型番 POS.	A	B	C	D	E	F	G	H	N	型番 PART NUMBER

THIS DRAWING IS A CONTROLLED DOCUMENT.

DWN N.MATSUBARA 31JAN1994
 CHK S.MANABE 1FEB1994
 APVD S.MANABE 1FEB1994

TE Connectivity

NAME パネルマウントタイプ タブハウジング ダイナミック3200シリーズ
 WIRE TO WIRE TAB HSG FOR DYNAMIC D-3200M
 PANEL MOUNT TYPE

PRODUCT SPEC 108-5349
 APPLICATION SPEC 114-5148

SIZE A3 CAGE CODE 00779 DRAWING NO C-179555 RESTRICTED TO -

MATERIAL 1 FINISH

TOLERANCES UNLESS OTHERWISE SPECIFIED:
 0-PLC 10 ± 0.2
 1-PLC 10<, 30 ± 0.25
 2-PLC 30< ± 0.3
 3-PLC ±
 4-PLC ±
 ANGLES ± 3°

WEIGHT

CUSTOMER DRAWING SCALE 2:1 SHEET 1 of 1 REV F

单击下面可查看定价，库存，交付和生命周期等信息

[>>TE Connectivity\(泰科\)](#)