

4

3

2

1

THIS DRAWING IS UNPUBLISHED.

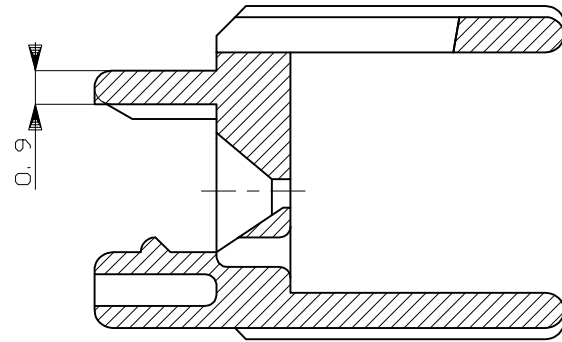
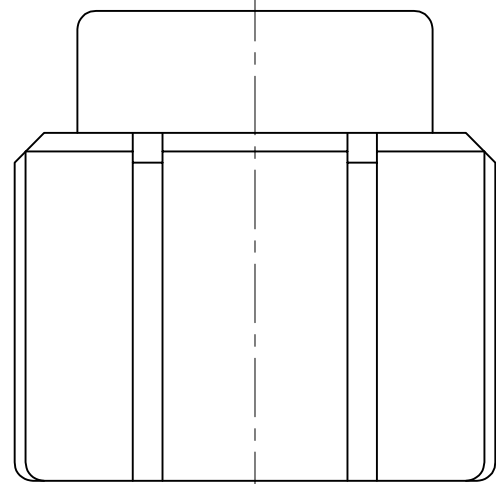
RELEASED FOR PUBLICATION

--

© COPYRIGHT - By -

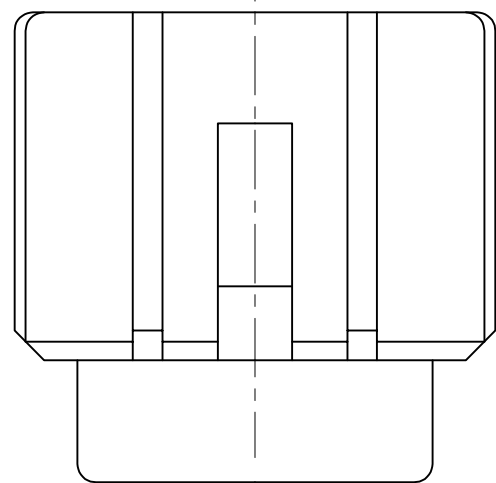
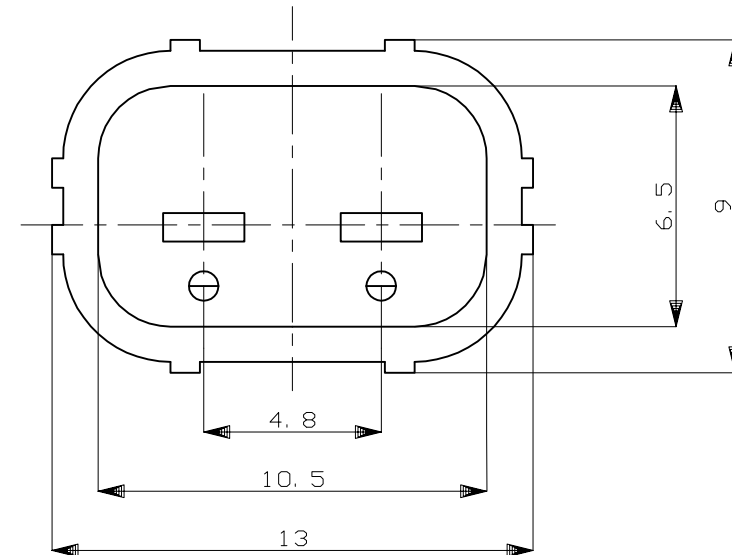
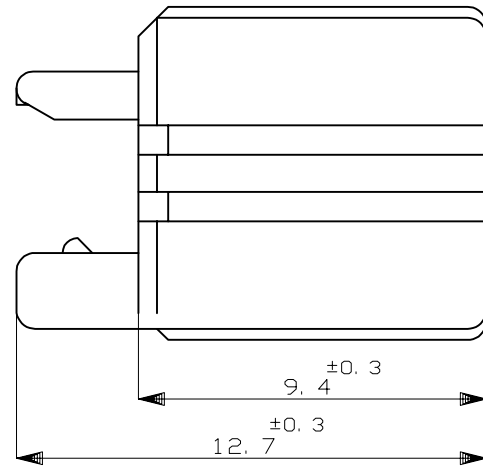
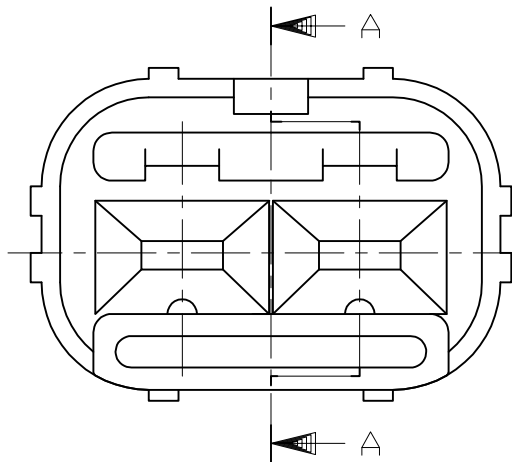
ALL RIGHTS RESERVED.

LOC		DIST		REVISIONS			
P	LTR	DESCRIPTION		DATE	DWN	APVD	
	C1	REVISED		ECR-15-000191	08JAN2014	TS	KB



SECTION 断面 A-A

1. 本品は、キャップハウジング型番174354に装着される。  
 1. TO BE MATED WITH CAP HOUSING (PN:174354)



HB	自然色 (NATURAL)	1-174355-1
V-2	黄 (YELLOW)	174355-7
使用材料難燃グレード (FLAMMABILITY OF MATERIAL)	色 (COLOR)	型番 (PART NUMBER)

THIS DRAWING IS A CONTROLLED DOCUMENT.		DWN K.ODA 8/19'87	<b>STE</b> TE Connectivity	
DIMENSIONS: mm		CHK Y.MATSUSAKA 8/24'87		
TOLERANCES UNLESS OTHERWISE SPECIFIED:		APVD M.NOGUCHI 8/25'87	NAME	
0 PLC ±-		PRODUCT SPEC	2P. ECONOSEAL J-MARKII+ CONNECTOR	
1 PLC ±-		108-5262	DOUBLE LOCK PLATE FOR CAP HOUSING	
2 PLC ±-		APPLICATION SPEC	SIZE	RESTRICTED TO
3 PLC ±-		—	CAGE CODE	DRAWING NO
4 PLC ±-		WEIGHT	A3 00779	C=174355
ANGLES ±-		CUSTOMER DRAWING	SCALE	SHEET
FINISH		—	5:1	1 of 1
MATERIAL PBT		—	REV	C1

GENERAL TOLERANCE	
0 < * ≤ 10	: ±0.2
10 < * ≤ 30	: ±0.25
30 < * ≤ 100	: ±0.3
ANGLES	: ±3°

单击下面可查看定价，库存，交付和生命周期等信息

[>>TE Connectivity\(泰科\)](#)