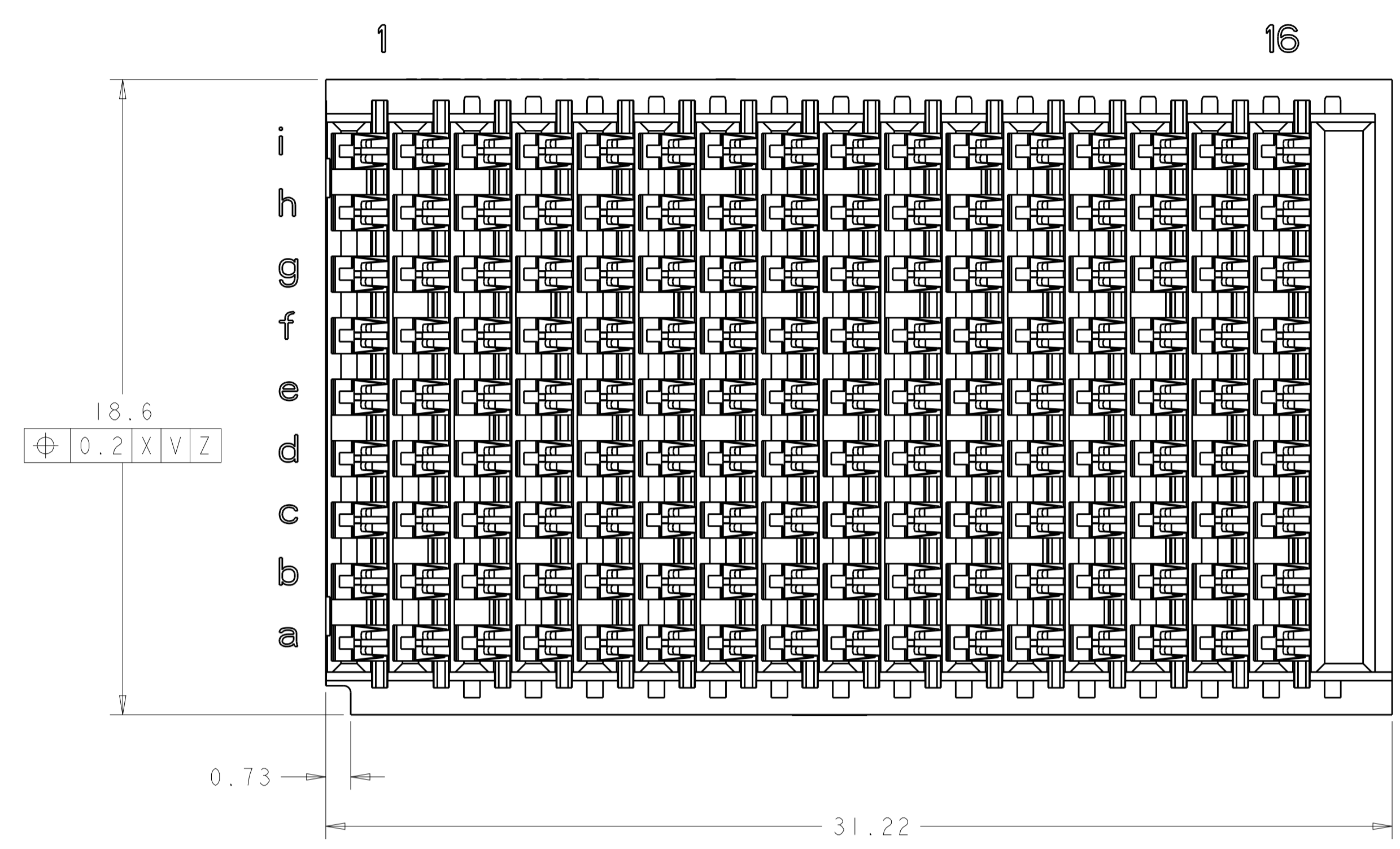
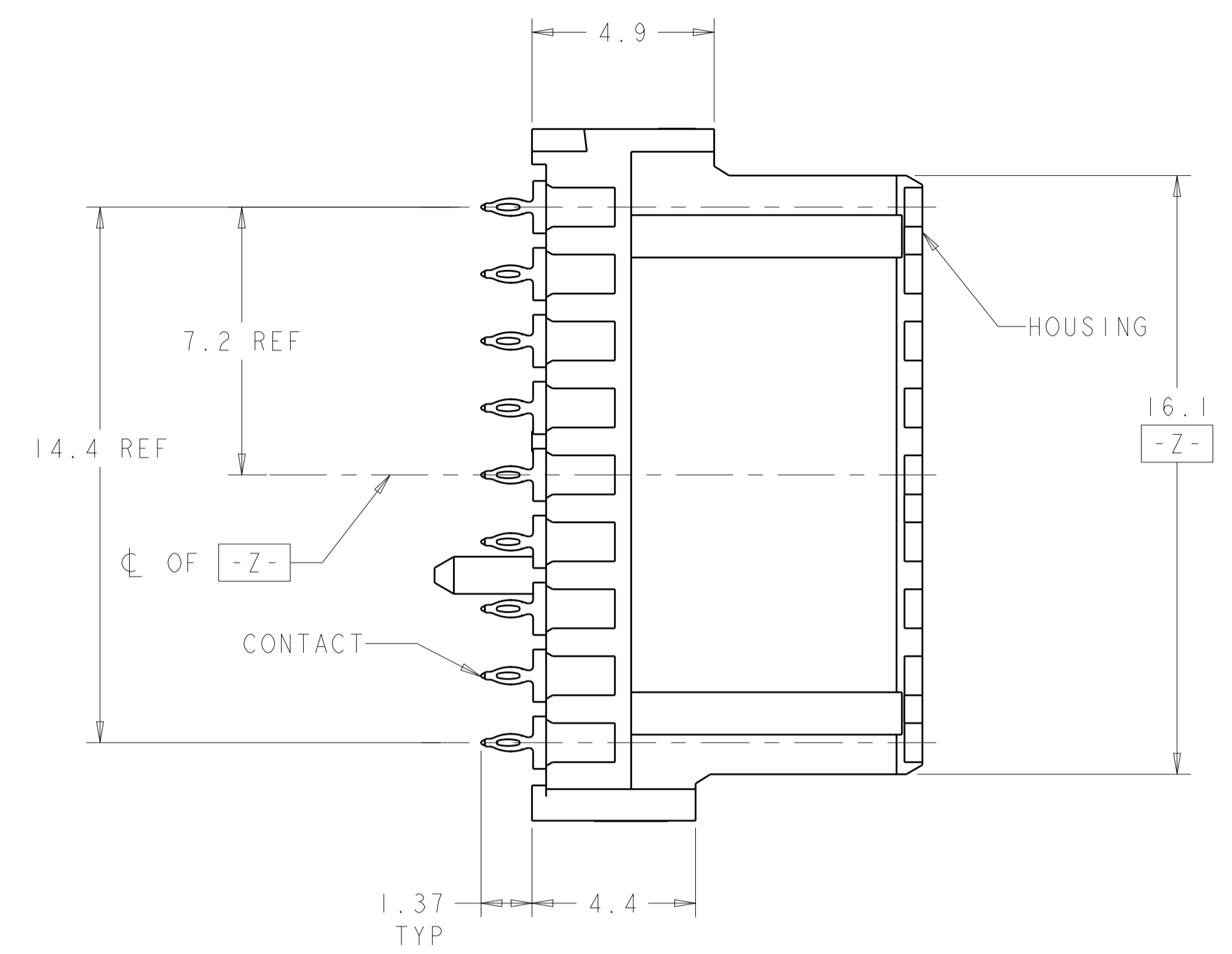
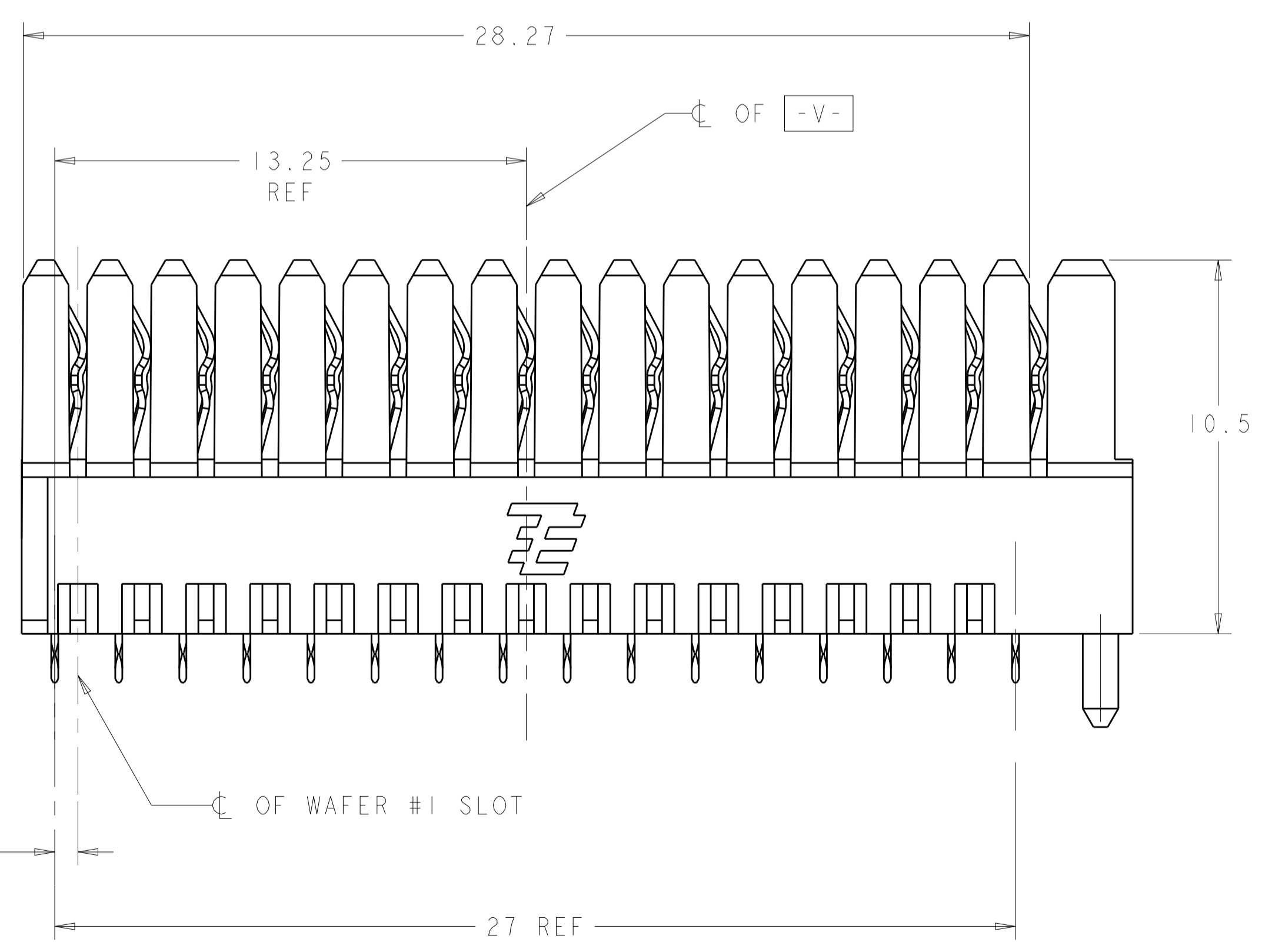
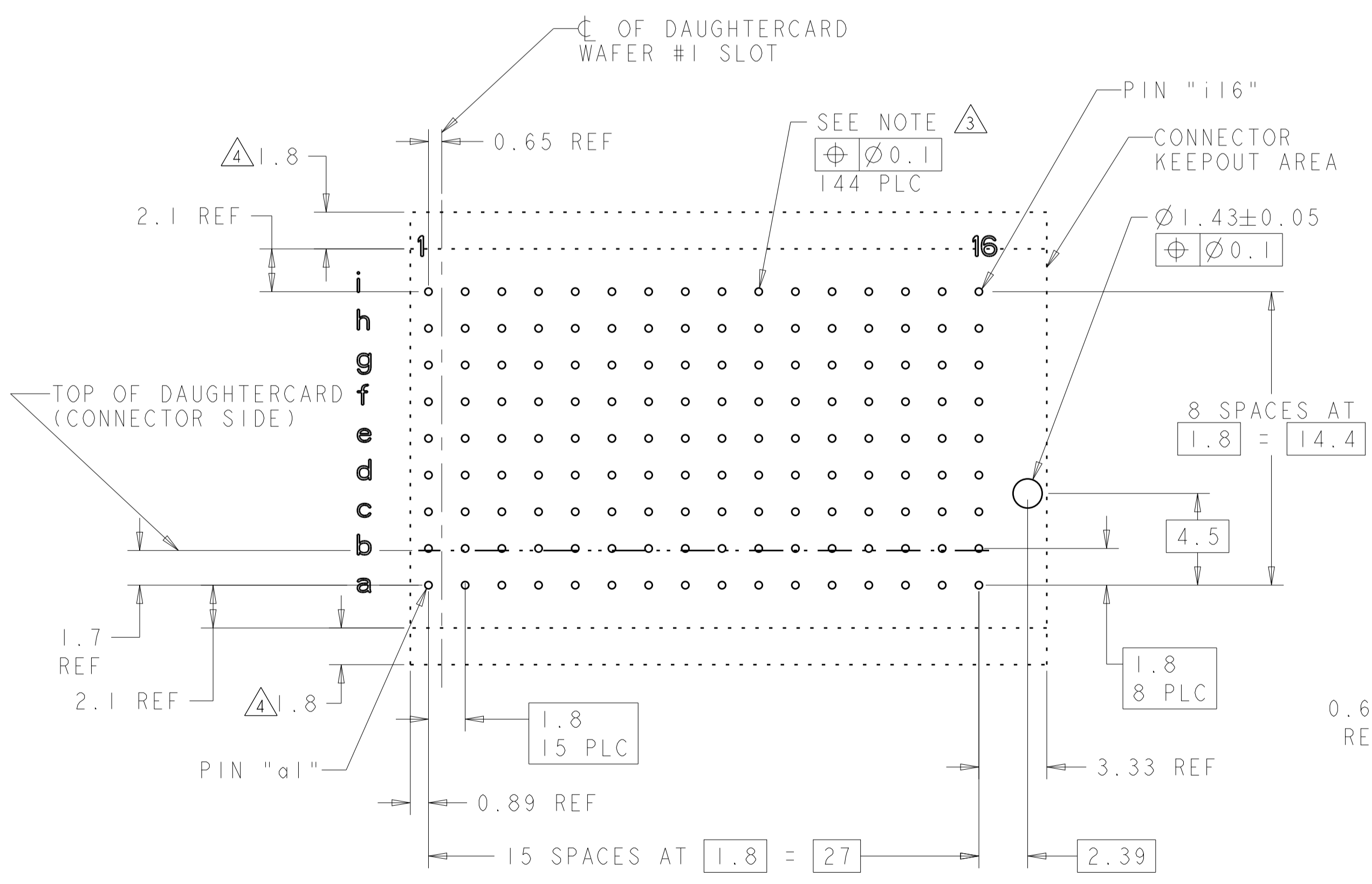


REVISIONS				
P.	LTN	DESCRIPTION	DATE	APVD
A		RELEASED PER ECO-19-001811	05FEB2019	DCB AT
B		REVISED PER ECO-19-002318	14FEB2019	DCB DH



- △ HOUSING: LCP, UL94V0, COLOR: BLACK.  
CONTACT: PHOSPHOR BRONZE.
- △ FINISH: 1.27µm GOLD IN CONTACT AREA 1.27µm MIN. TIN-LEAD ON PCB TAIL OVER 2.54µm MIN. NICKEL OVER ALL.
- △ PLATED THRU HOLE SPECIFICATION:  
 -DRILLED HOLE:  $\phi 0.45 \pm 0.02$   
 -0.025-0.050 THICK COPPER PLATING (MAX HARDNESS 150 KNOOP)  
 FINISH OPTIONS:  
 -0.0038-0.0124 HOT AIR SOLDER LEVELING (HASL) TIN-LEAD (SnPb)  
 -0.0005-0.004 IMMERSION TIN (Sn)  
 -0.0002-0.0005 ORGANIC SOLDERABILITY PRESERVATIVE (OSP)  
 -0.0001-0.0005 IMMERSION SILVER (Ag)  
 -0.0001-0.0005 IMMERSION GOLD OVER  
 0.00127-0.0076 NICKEL (ENIG)  
 FINISH HOLE DIAMETER AFTER PLATING =  $\phi 0.36$  REF
- △ ADDITIONAL CONNECTOR-SIDE KEEPOUT AREA REQUIRED IF CONNECTOR-SIDE EXTRACTION TOOL IS TO BE USED.
- △ FINISH: 1.27µm MIN GOLD IN CONTACT AREA, 0.50µm MIN TIN ON PCB TAIL OVER 2.54µm MIN. NICKEL OVER ALL.



PC BOARD LAYOUT  
 (CONNECTOR SIDE)  
 (SEE SHEET 2 FOR RTM)  
 SCALE 5:1

△ 5	2302790-2
△ 4	2302790-1
PLATING	PART NO

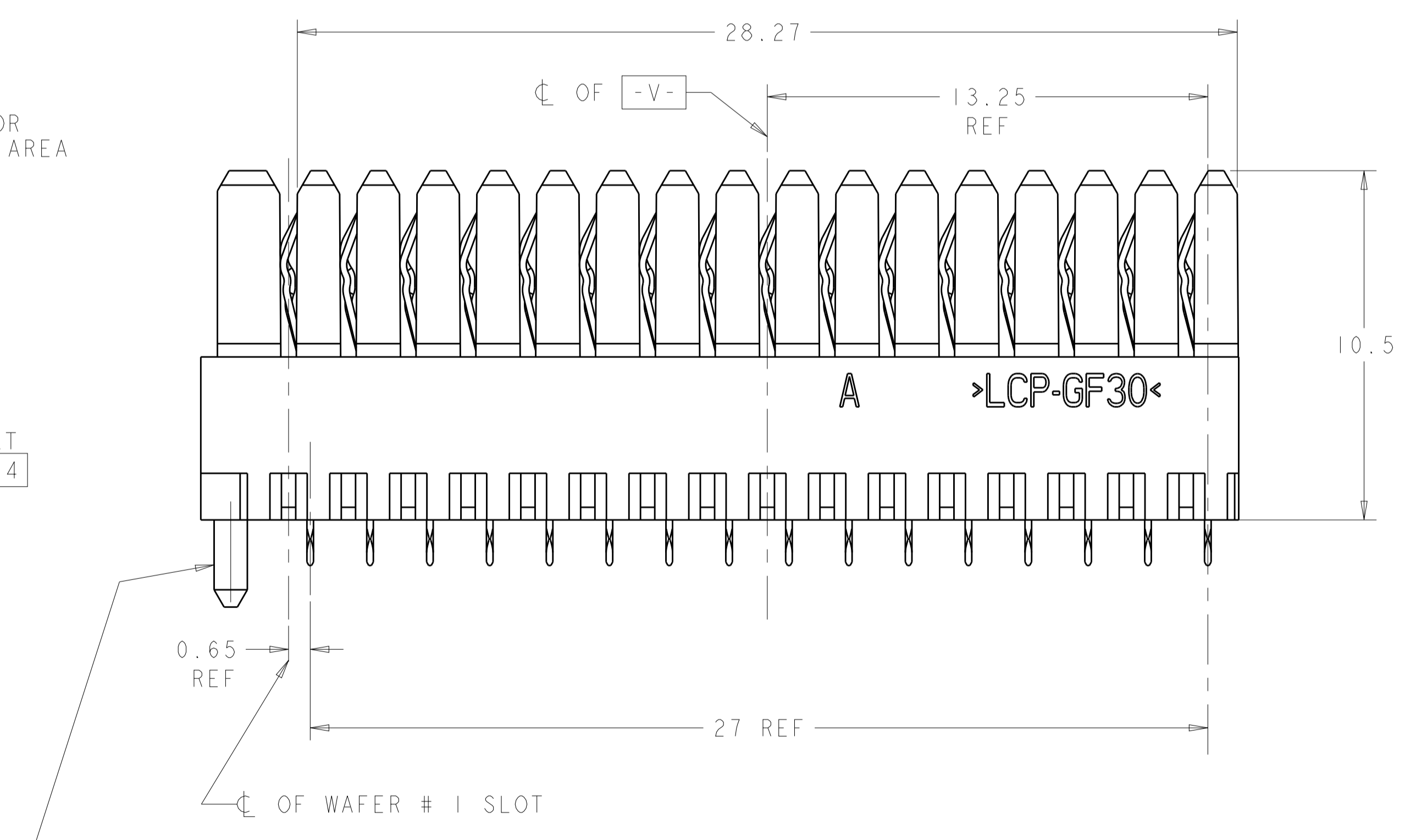
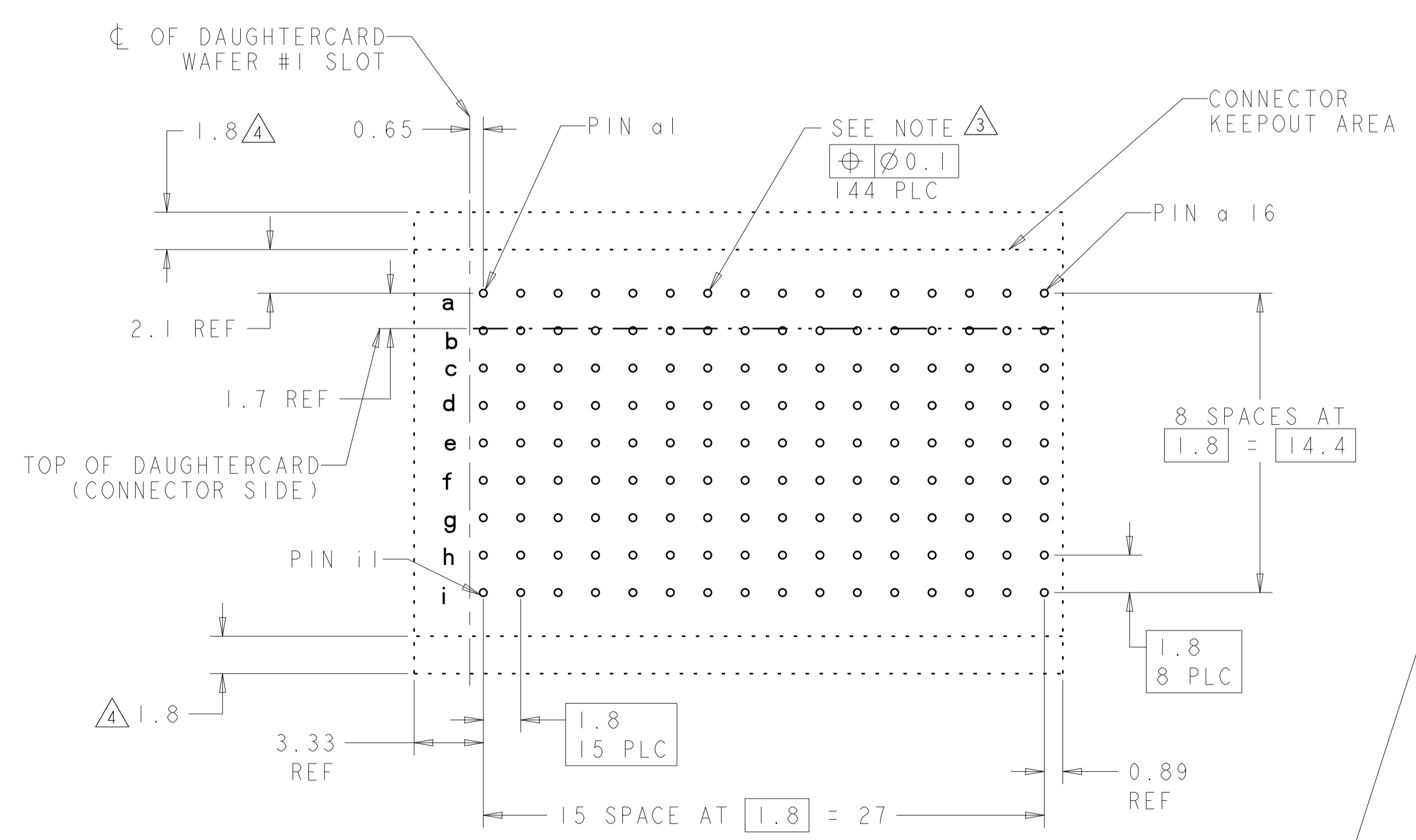
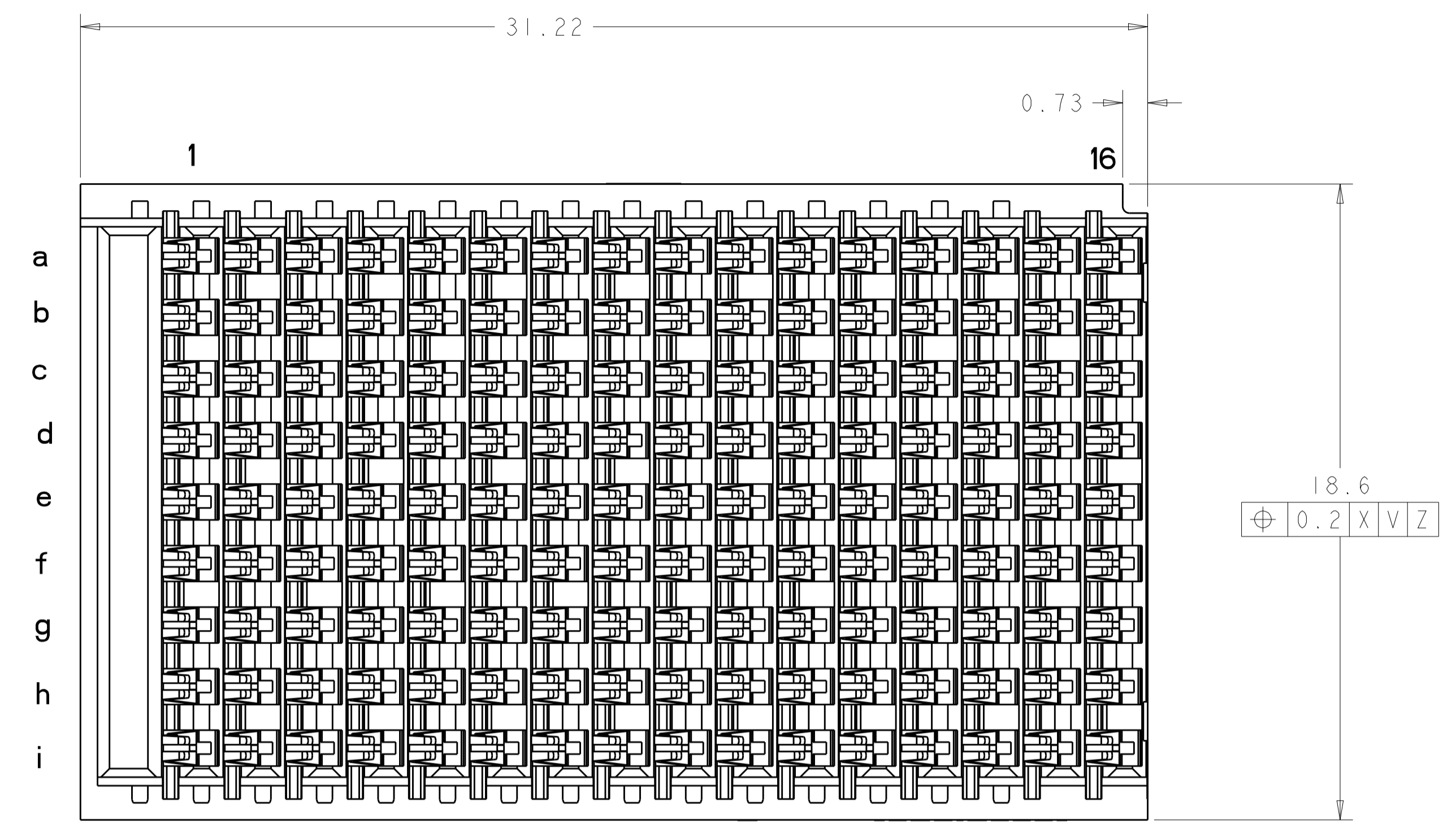
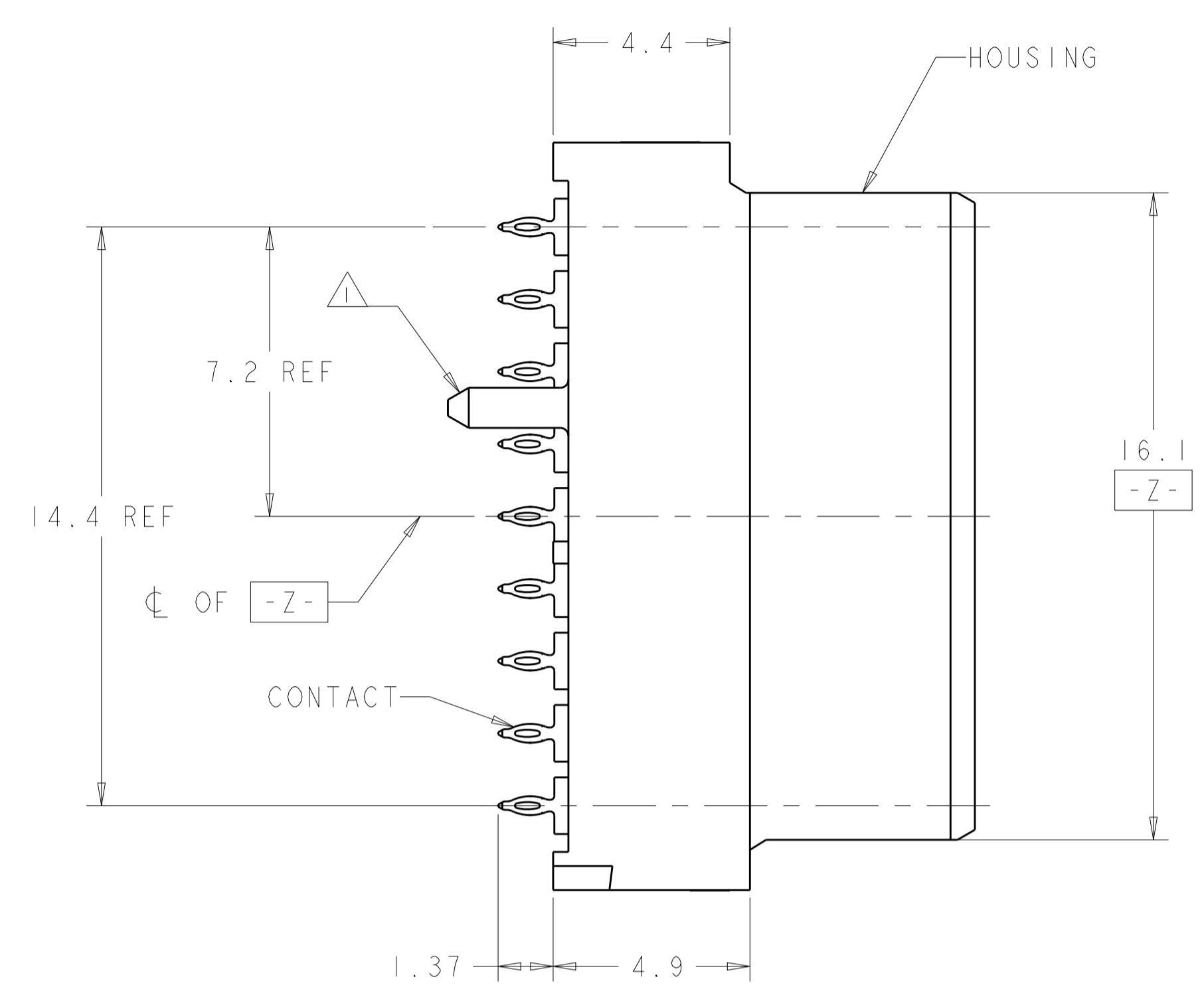
THIS DRAWING IS A CONTROLLED DOCUMENT.

DIMENSIONS:	TOLERANCES UNLESS OTHERWISE SPECIFIED:	OWN: R. MILLER 09AUG2016	NAME: VERTICAL RECEPTACLE ASSEMBLY, RIGHT END, MULTIGIG RT 3
mm	0 PLC ±0.5	CHK: A. TSANG 09AUG2016	PRODUCT SPEC: 108-2072-3
$\text{M} \text{ } \phi$	1 PLC ±0.13	APVD:	APPLICATION SPEC:
$\text{M} \text{ } \phi$	2 PLC ±0.13		SIZE: 114-163004
$\text{M} \text{ } \phi$	3 PLC ±0.13		WEIGHT: 6.97g
$\text{M} \text{ } \phi$	4 PLC ±0.13		RESTRICTED CUSTOMER
ANGLES	±1°		SCALE: 8:1
MATERIAL:	FINISH:		SHEET 1 OF 2
SEE TABLE			REV B

RESTRICTED TO: A100779C=2302790

REVISIONS				
P.	LTN.	DESCRIPTION	DATE	APVD.
-	-	SEE SHEET 1	-	-

# REAR TRANSITION MODULE APPLICATION



PC BOARD REAR TRANSITION MODULE (CONNECTOR SIDE) SCALE 5:1

THIS DRAWING IS A CONTROLLED DOCUMENT.		DWN: R. MILLER 09AUG2016 CHK: A. TSANG 09AUG2016 APVD: -	TE Connectivity
DIMENSIONS: mm TOLERANCES UNLESS OTHERWISE SPECIFIED: 0 PLC ± 1 PLC ±0.5 2 PLC ±0.13 3 PLC ± 4 PLC ± ANGLES ±1°		PRODUCT SPEC: 108-2072-3 APPLICATION SPEC: MATERIAL: 114-163004 WEIGHT: 6.97g FINISH: SEE TABLE	
SCALE: 8:1 SHEET 2 OF 2 REV B			

单击下面可查看定价，库存，交付和生命周期等信息

[>>TE Connectivity\(泰科\)](#)