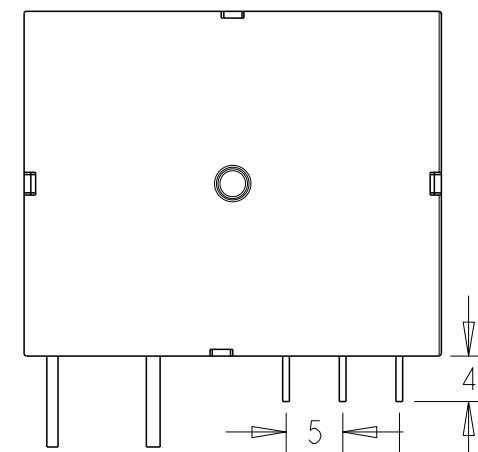
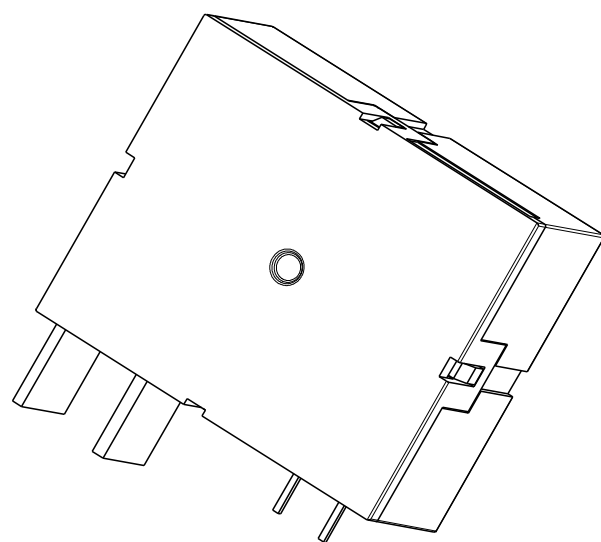
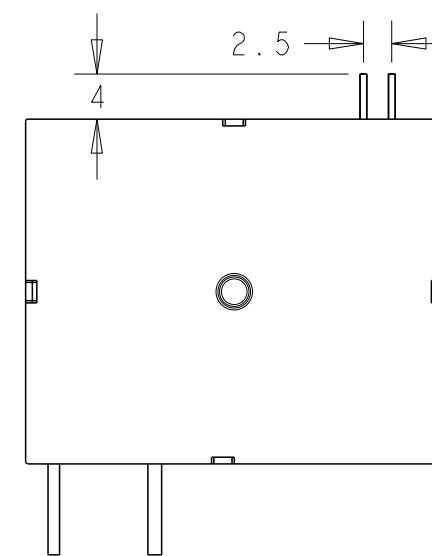


REVISIONS

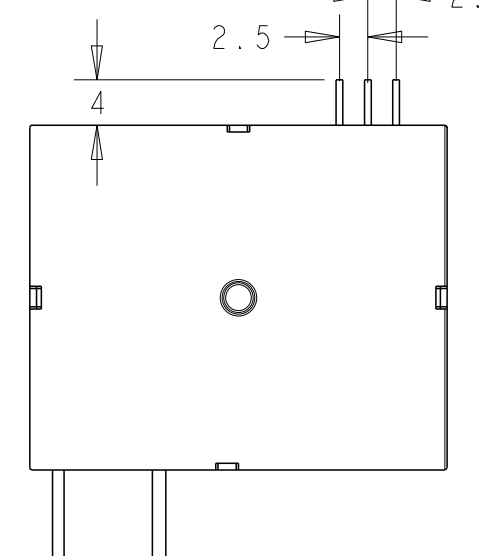
P	LTR	DESCRIPTION	DATE	DWN	APVD



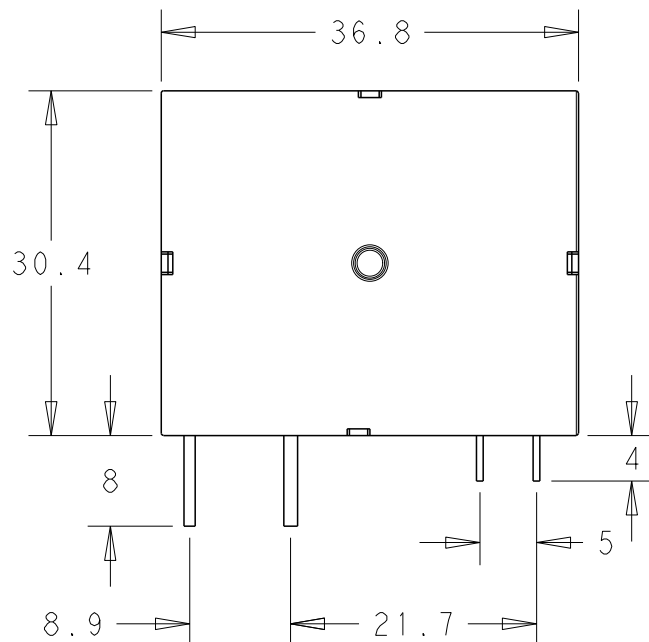
Dual Coil/Bottom Pin



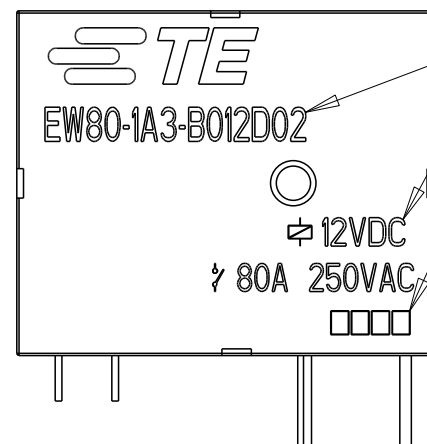
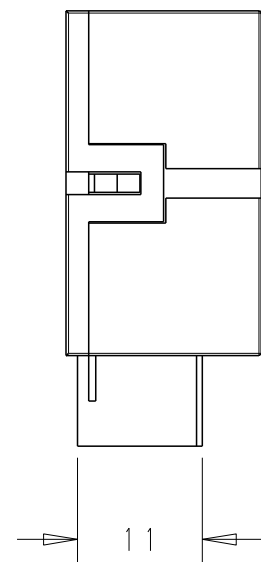
Single Coil/TOP Pin



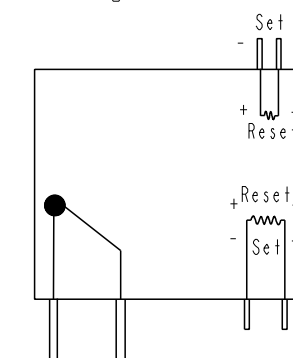
Dual Coil/TOP Pin



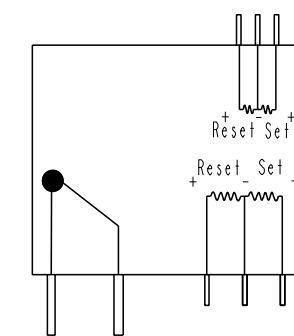
Single Coil/Bottom Pin



DIMENSION	TOLERANCE
<= 1mm	±0.2
1 ~ 5mm	±0.3
>= 5mm	±0.4



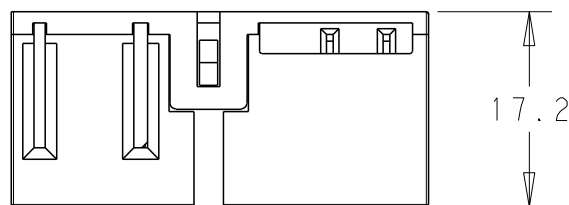
Single Coil



Dual Coil

Wire Connection drawing

1-2071349-2	Dual coil/Top Pin(24V)	EW82-1A3-C024D02	24V	12
1-2071349-1	Dual coil/Top Pin(12V)	EW82-1A3-C012D02	12V	11
1-2071349-0	Dual coil/Top Pin(9V)	EW82-1A3-C009D02	9V	10
2071349-9	Single coil/Top Pin(24V)	EW82-1A3-B024D02	24V	9
2071349-8	Single coil/Top Pin(12V)	EW82-1A3-B012D02	12V	8
2071349-7	Single coil/Top Pin(9V)	EW82-1A3-B009D02	9V	7
2071349-6	Dual coil/Bottom Pin(24V)	EW80-1A3-C024D02	24V	6
2071349-5	Dual coil/Bottom Pin(12V)	EW80-1A3-C012D02	12V	5
2071349-4	Dual coil/Bottom Pin(9V)	EW80-1A3-C009D02	9V	4
2071349-3	Single coil/Bottom Pin(24V)	EW80-1A3-B024D02	24V	3
2071349-2	Single coil/Bottom Pin(12V)	EW80-1A3-B012D02	12V	2
2071349-1	Single coil/Bottom Pin(9V)	EW80-1A3-B009D02	9V	1
PART NO	DESCRIPTION	PART A	PART B	ITEM



THIS DRAWING IS A CONTROLLED DOCUMENT.

DIMENSIONS:	TOLERANCES UNLESS OTHERWISE SPECIFIED:
mm	0 PLC ±
1 PLC ±	2 PLC ±
3 PLC ±	4 PLC ±
ANGLES ±	
MATERIAL TBD	FINISH -

DWN	15NOV2013
CHK	Andrew Fu
APVD	Xiaoning Zhang
PRODUCT SPEC	Sunny Zhang
APPLICATION SPEC	-
WEIGHT	-
CUSTOMER DRAWING	

		TE Connectivity	
		NAME	
-		-	
EW8X Straight Type		Customer Drawing	
SIZE	CAGE CODE	DRAWING NO	RESTRICTED TO
A3	-	©-2071349	-
SCALE 1:1		SHEET 1 OF 1	REV A

单击下面可查看定价，库存，交付和生命周期等信息

[>>TE Connectivity\(泰科\)](#)