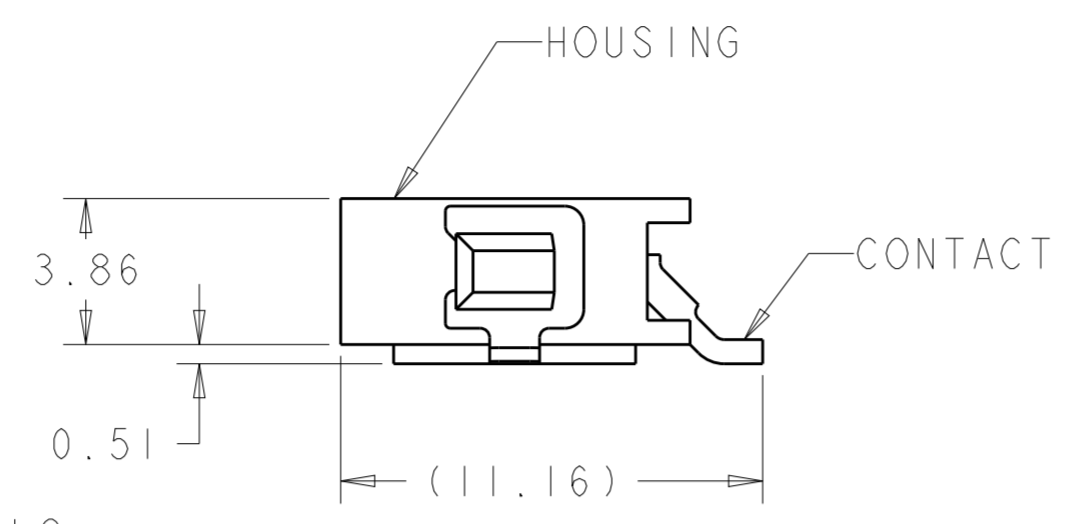
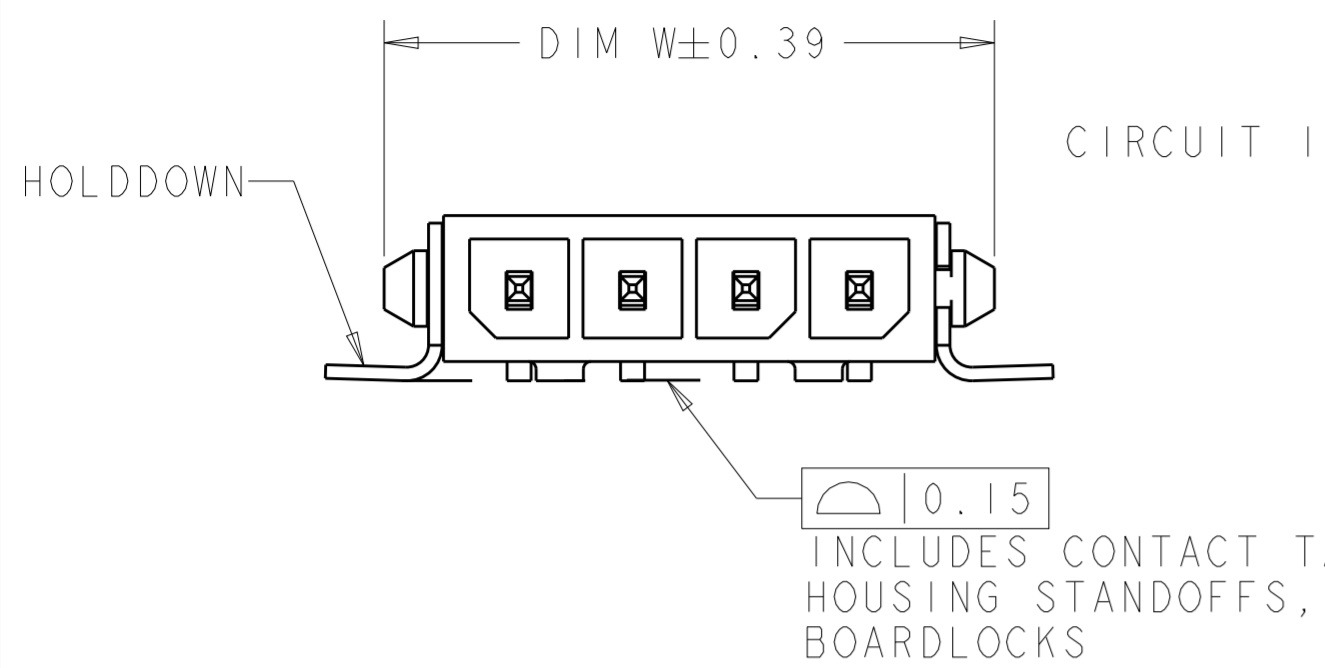
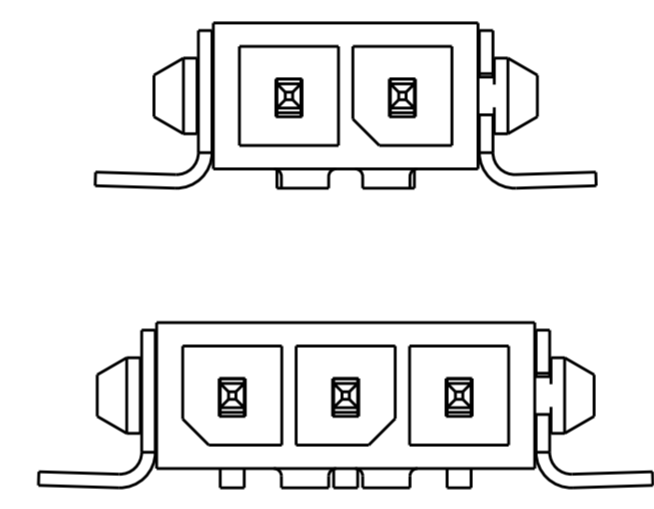
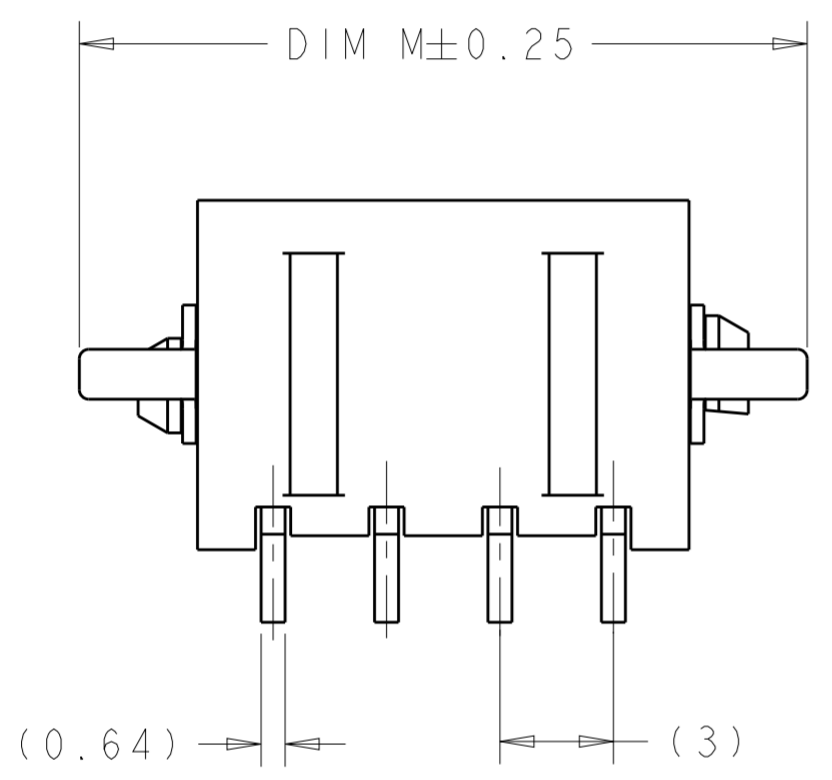


THIS DRAWING IS UNPUBLISHED. RELEASED FOR PUBLICATION 20  
 © COPYRIGHT 20 BY - ALL RIGHTS RESERVED.

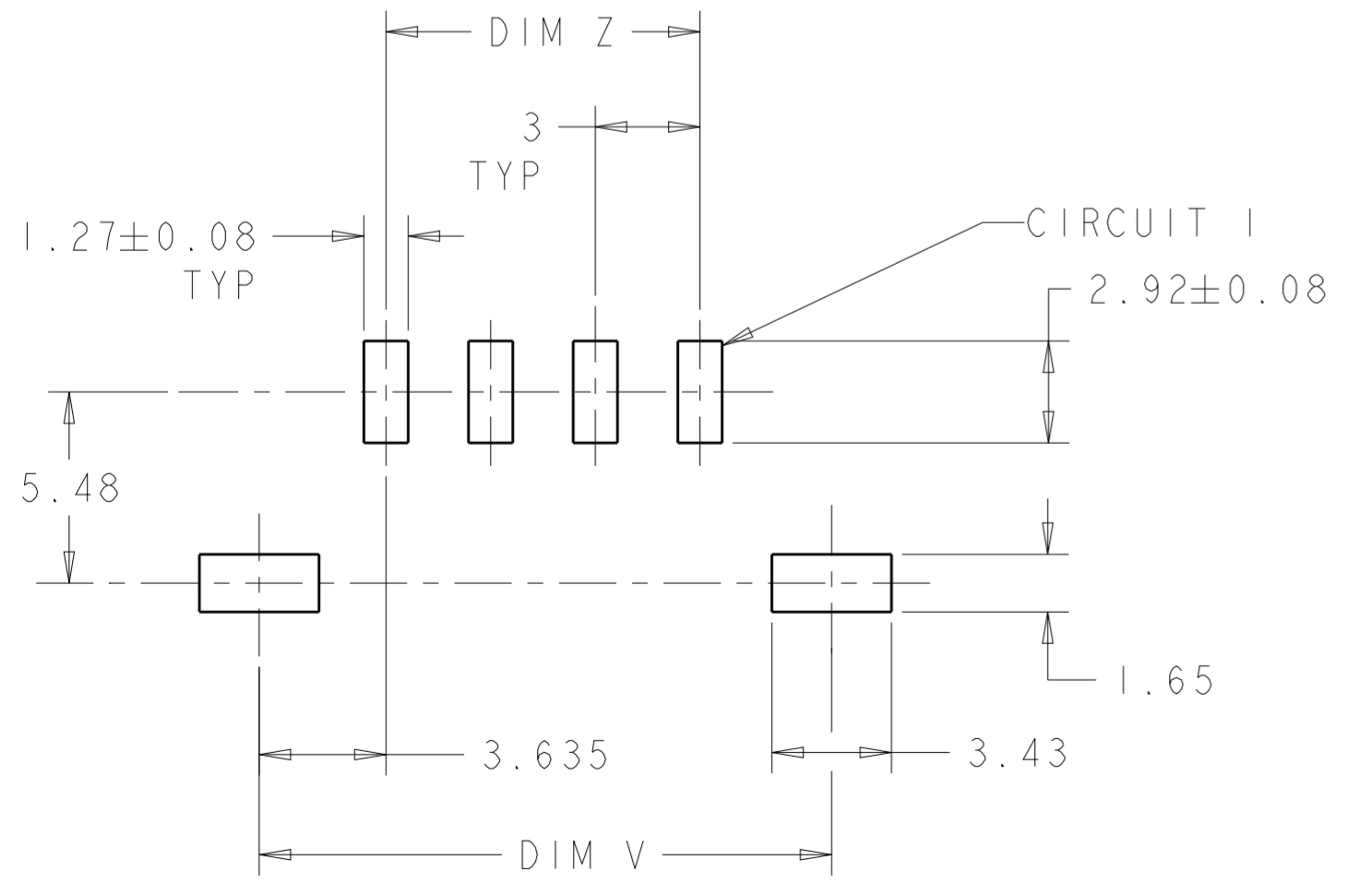
LOC	DIST	REVISIONS					
CM	00	P	LTR	DESCRIPTION	DATE	DWN	APVD
		B1		REVISED PER ECO-11-005027	14MAR2011	RK	HMR
		B2		ECO-19-006934	13MAY2019	AP	WS



- 1 MATERIAL: CONTACTS - BRASS  
HOUSING - UL 94V-0 RATED HIGH TEMP NYLON, COLOR NATURAL.  
HOLDDOWNS - PHOSPHOR BRONZE.
- 2 PLATING: CONTACTS - 2.54µm MINIMUM TIN OVER 1.27µm MINIMUM NICKEL.  
HOLDDOWNS - 2.54µm MINIMUM TIN OVER 1.27µm MINIMUM NICKEL.
- 3 RECOMMENDED PC BOARD THICKNESS OF 1.57.



KEYING BY POSITION SIZE



PCB LAYOUT COMPONENT SIDE 3

19.25	9	16	16.41	4	2029104-4
16.25	6	13	13.41	3	2029104-3
13.25	3	10	10.41	2	2029104-2
DIM M	DIM Z	DIM W	DIM V	NO. OF POSN	PART NUMBER

THIS DRAWING IS A CONTROLLED DOCUMENT.

DIMENSIONS:	TOLERANCES UNLESS OTHERWISE SPECIFIED:	DWN	24MAR2008	TE Connectivity
mm	0 PLC ±	CHK	K. WHITAKER 24MAR2008	
	1 PLC ±	APVD	C. JONES 24MAR2008	
	2 PLC ±0.13	NAME	C. JONES 24MAR2008	
	3 PLC ±	PRODUCT SPEC		RT ANG SURF MNT HDR ASSY, SGL LATCH, TIN POSTS, SURF MOUNT HOLDDOWNS, SINGLE ROW, MICRO MATE-N-LOK(TM)
	4 PLC ±	APPLICATION SPEC		SIZE CAGE CODE DRAWING NO RESTRICTED TO
	ANGLES ±	114-13000		A200779 C-2029104
	FINISH ±	WEIGHT		SCALE 5:1 SHEET 1 OF 1 REV B2
MATERIAL		CUSTOMER DRAWING		

单击下面可查看定价，库存，交付和生命周期等信息

[>>TE Connectivity\(泰科\)](#)