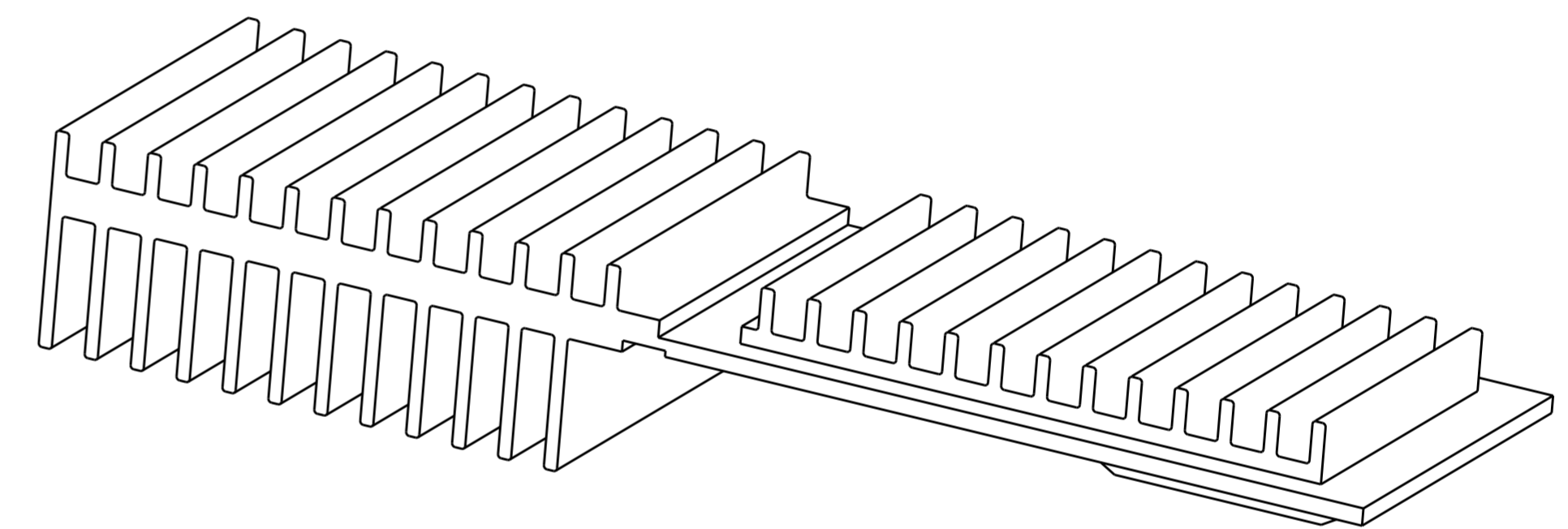
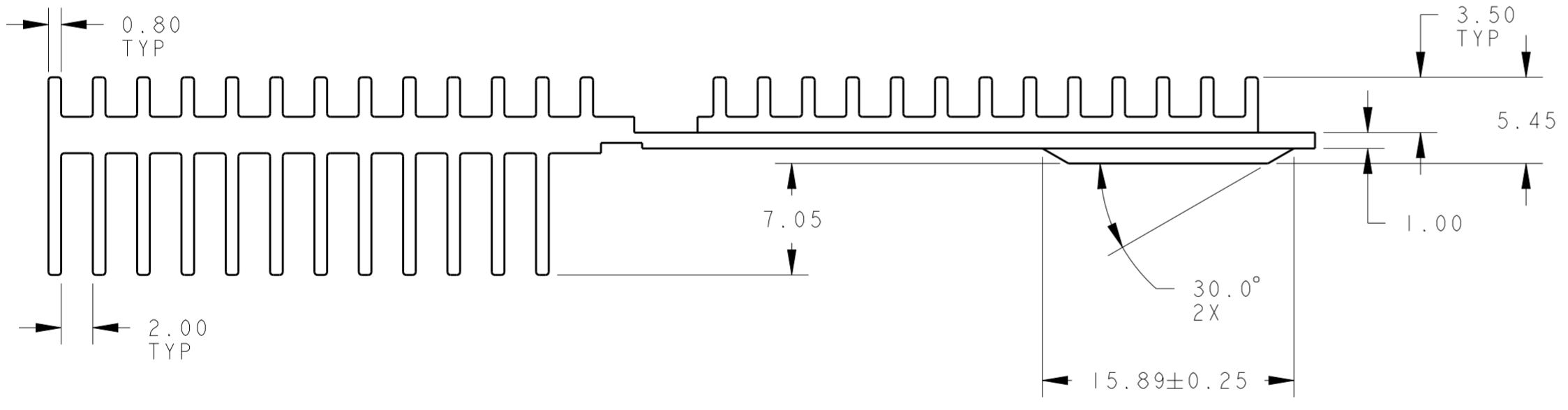
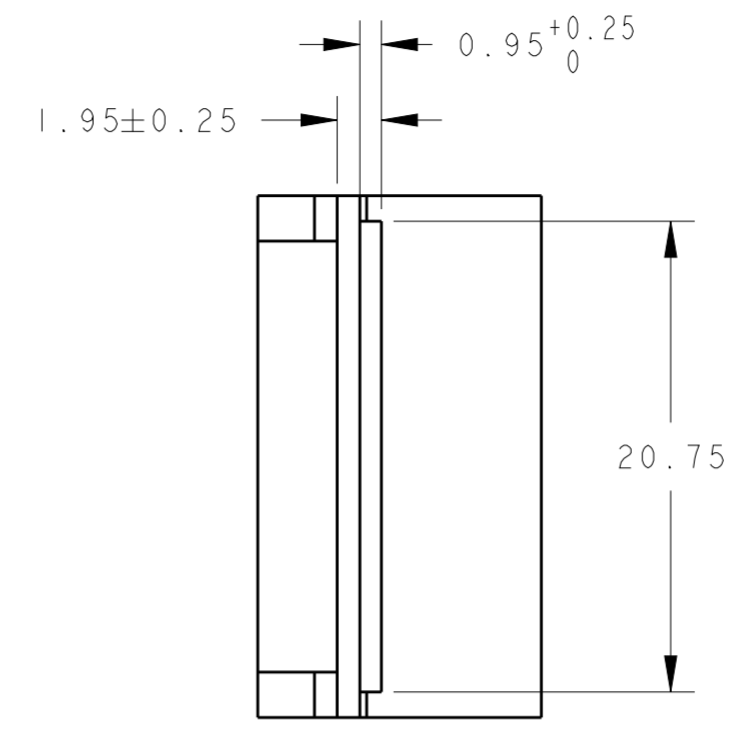
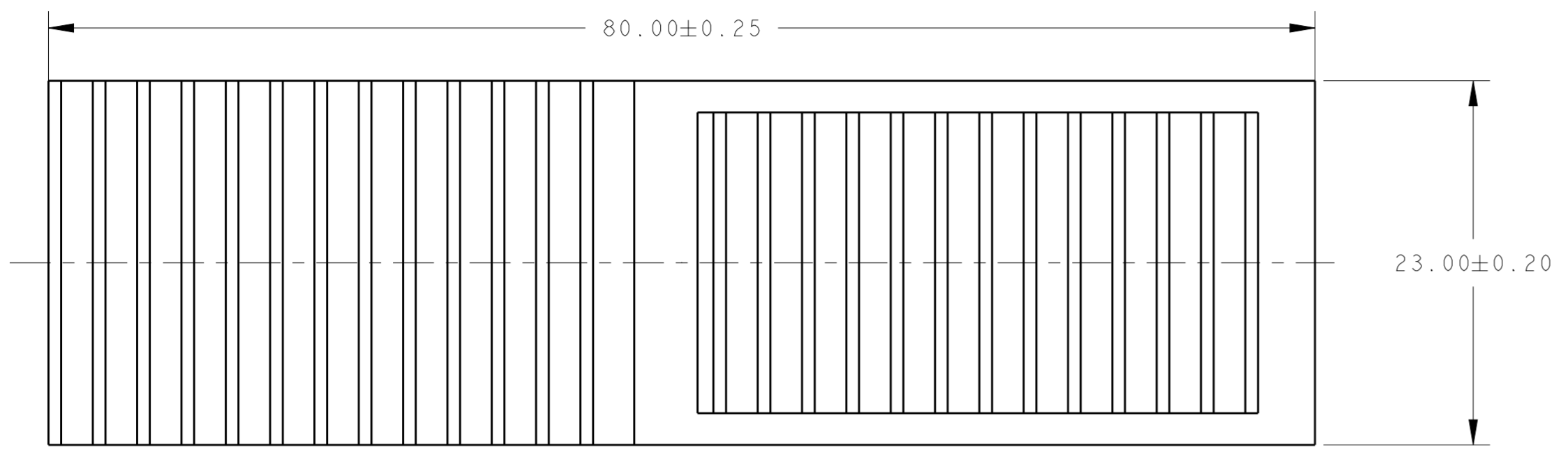


THIS DRAWING IS UNPUBLISHED. RELEASED FOR PUBLICATION 20  
 © COPYRIGHT 20 BY - ALL RIGHTS RESERVED.

REVISIONS				
P	LTR	DESCRIPTION	DATE	APVD
1		ORIGINAL	26SEP2013	BM SB
2		SLIGHT IMPROVEMENT	16OCT2018	JY SH



- NOTES:
- UNLESS OTHERWISE SPECIFIED
  - 1. INTERPRET DRAWING PER ASME Y14.5M - 1994.
  - 2. 0,2mm MAX BURR.
  - 3. VARIATION IN PLATING COLOR IS NORMAL AND ALLOWED.
  - 4. RoHS COMPLIANT AND CERTIFIED.

PRELIMINARY PART- NOT RELEASED FOR PRODUCTION

NICKEL PLATED	ALUMIMUM	2274303-3
<b>FINISH</b>	<b>MATERIAL</b>	<b>PART NUMBER</b>

THIS DRAWING IS A CONTROLLED DOCUMENT.		DWN 26SEP2013 B. MATTHEWS	TE Connectivity	
DIMENSIONS: mm		CHK 26SEP2013 S. BOLASH		
TOLERANCES UNLESS OTHERWISE SPECIFIED:		APVD 26SEP2013 S. BOLASH	NAME HEATSINK, EXTENDED, CXP	
0 PLC ±-	1 PLC ±0.5	PRODUCT SPEC -	SIZE A200779	CAGE CODE C-2274303
2 PLC ±0.25	3 PLC ±	APPLICATION SPEC -	SCALE 3.000	SHEET 1 OF 1
4 PLC ±	ANGLES ±8°	WEIGHT -	CUSTOMER DRAWING	REV 2
MATERIAL SEE TABLE	FINISH SEE TABLE	RESTRICTED TO		

单击下面可查看定价，库存，交付和生命周期等信息

[>>TE Connectivity\(泰科\)](#)