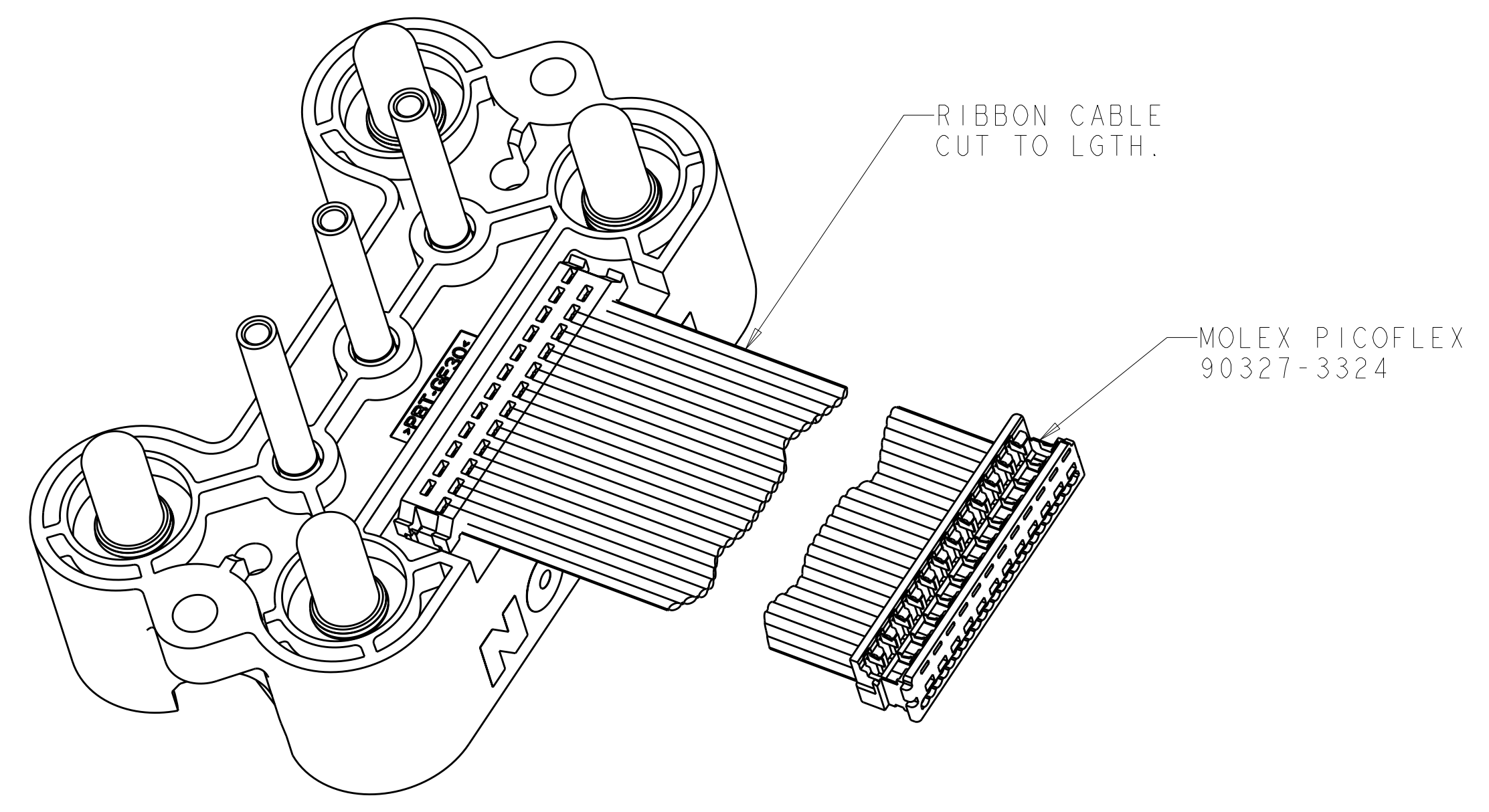
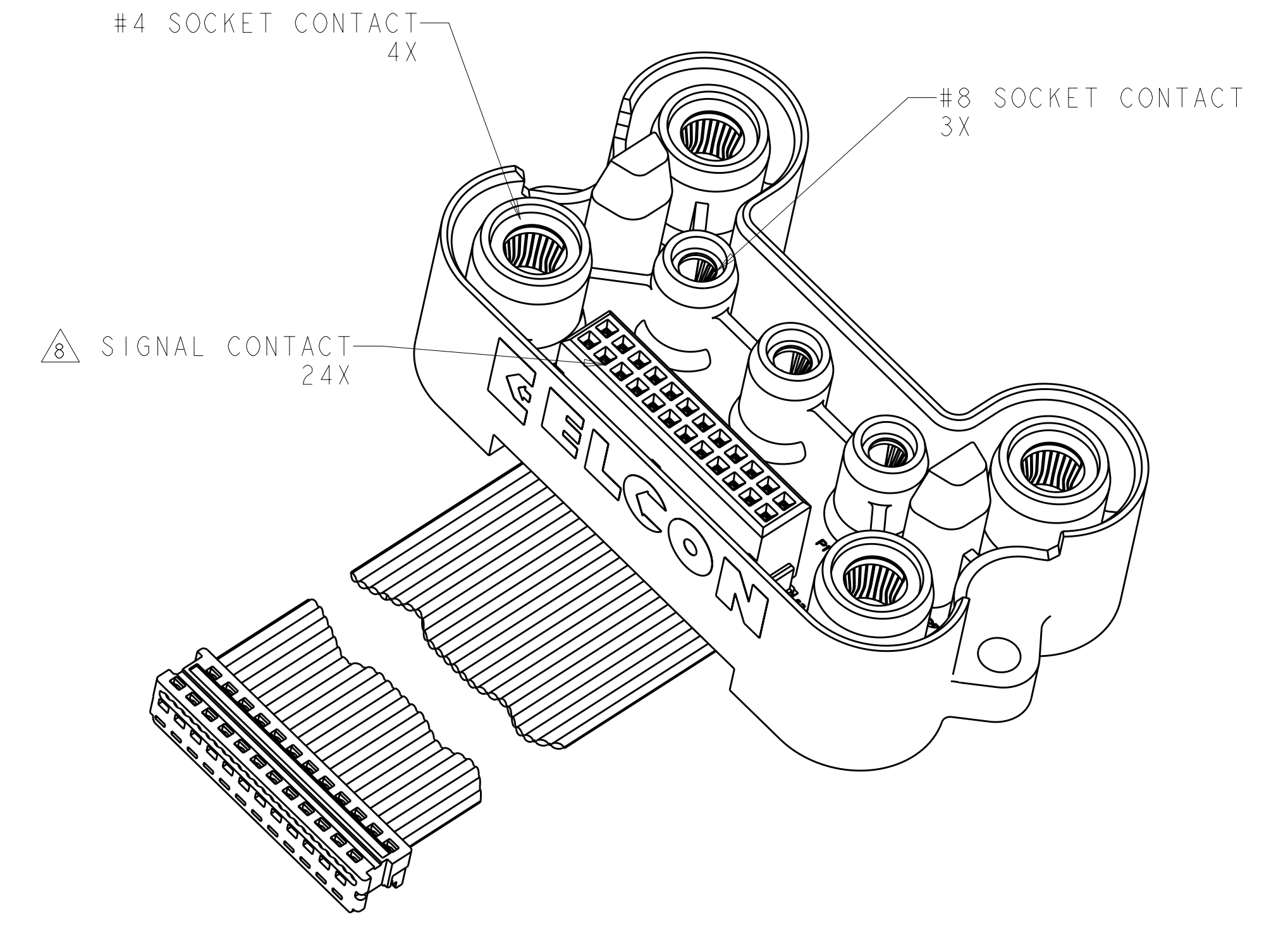


LOC	DIST	REV	DATE	BY	CHK	APPD
GP	00					
4		REMOVE P/N 9-1926753-9 AND NOTE 7	30OCT2008	WVS		GRD
5		CHANGED NOTES	01JUN2010	GIP		GRD
6		ADDED NOTE 8	27JAN2012	RG		DO



ISOMETRIC VIEW
 MOUNTING FACE
 SCALE 2:1



ISOMETRIC VIEW
 MATING FACE
 SCALE 2:1

1. PART NUMBER CHANGES AND/OR DESIGN CHANGES AFFECTING ITEM INTERCHANGEABILITY REQUIRES PRIOR TYCO ELECTRONICS APPROVAL AND AUTHORIZATION BY REVISION TO THIS DRAWING.

2. MATERIALS:
 HOUSING: THERMOPLASTIC, GLASS RENIFORCED, UL RATED 94V-0, COLOR-BLACK
 CONTACTS: COPPER ALLOY
 CROWN BANDS: BERYLLUM COPPER

3. FINISH:
 POWER CONTACT: SILVER 5.08µm [0.000200] MIN THICK PER QQ-S-365, OVER NICKEL 1.27µm [0.000050] MIN THICK PER AMS-2404
 SIGNAL CONTACT: GOLD 0.76µm [0.000030] MIN THICK PER MIL-G-45204 IN CONTACT AREA, MATTE TIN 3.05µm [0.000120] MIN THICK PER ASTM B545 IN TERMINATION AREA, OVER NICKEL 1.27µm [0.000050] MIN THICK PER QQ-N-290 ALL OVER
 CROWN BAND: GOLD 0.76µm [0.000030] MIN THICK PER MIL-G-45204, OVER NICKEL 1.27µm [0.000050] MIN THICK PER QQ-N-290

4. OUTLINE SPECIFICATION
 -CONNECTOR ASSEMBLY GATHERABILITY: 2.00[.079] NOMINAL
 -SIGNAL CONTACT WIPE: 4.52[.178], 5.54[.218], & 6.53[.257] RESPECTIVELY
 -#8 POWER CONTACT WIPE: 3.96[.156], & 5.18[.204]
 -#8 CONTACT CSA CURRENT RATING: 55A/250V @ 30°C RISE
 -#4 POWER CONTACT WIPE: 3.00[.118], & 4.14[.163]
 -#4 CONTACT CSA CURRENT RATING: 100A/250V @ 30°C RISE
 -MATING FORCE: 46.43 lbf MAXIMUM
 -EXTRACTION FORCE: 30.5 lbf MAXIMUM
 -POLARIZED HOUSING

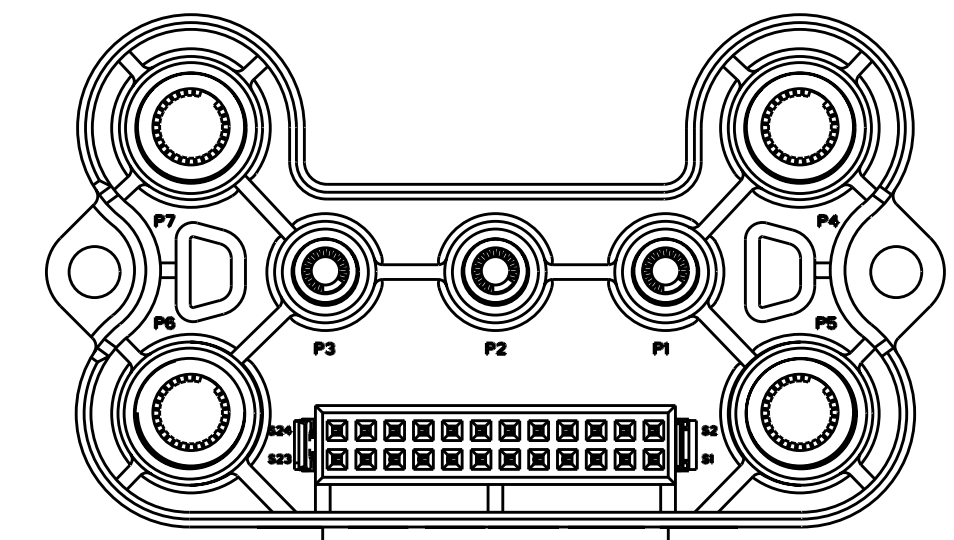
5. ITEMS PROVIDED TO THIS DRAWING TO BE PERMANENTLY IDENTIFIED WITH PART NUMBER, DATE CODE, AND COUNTRY OF ORIGIN.

6. SEE CUSTOMER DRAWING 1926125 OR 1926797 FOR MATING PIN CONNECTOR.

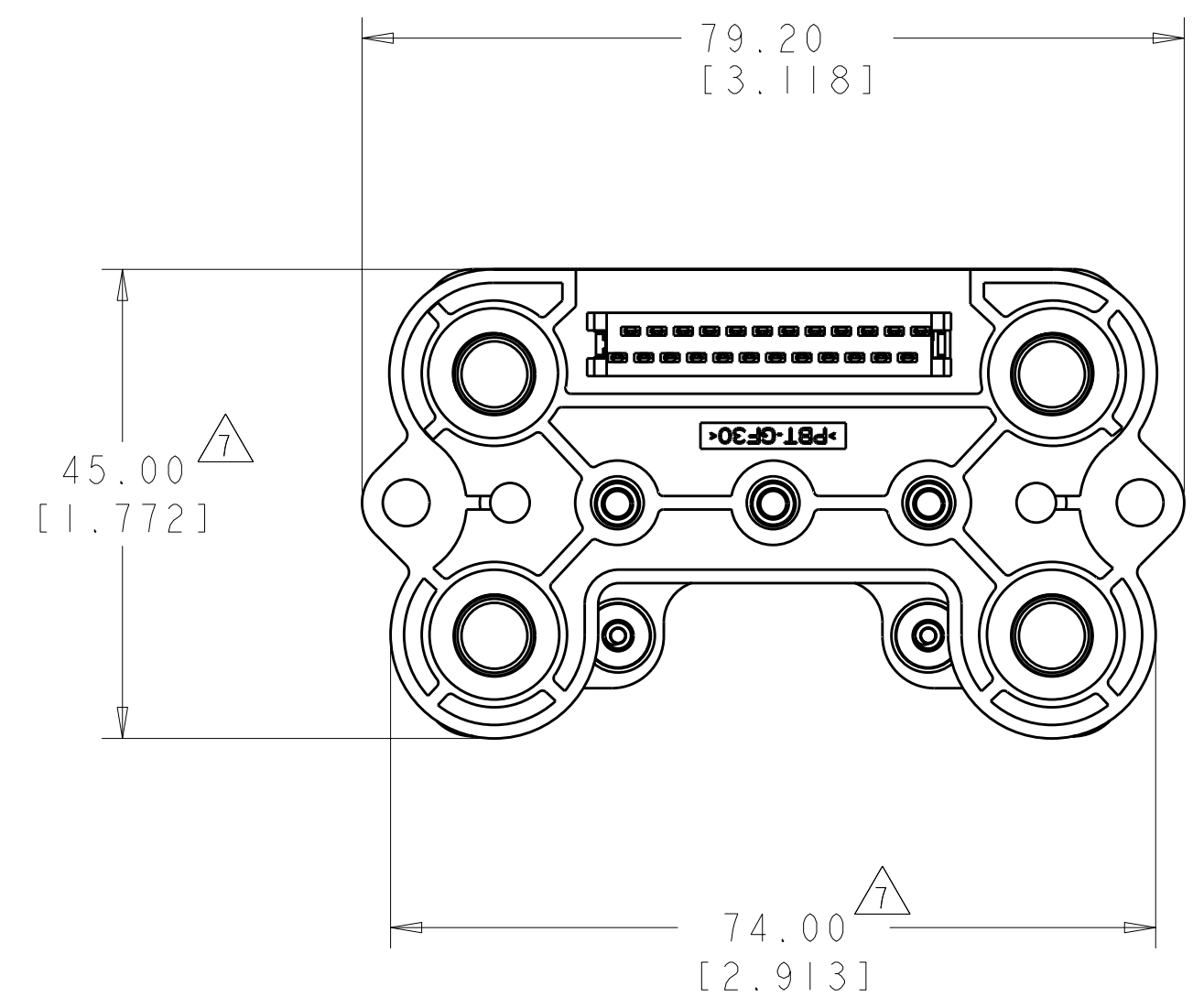
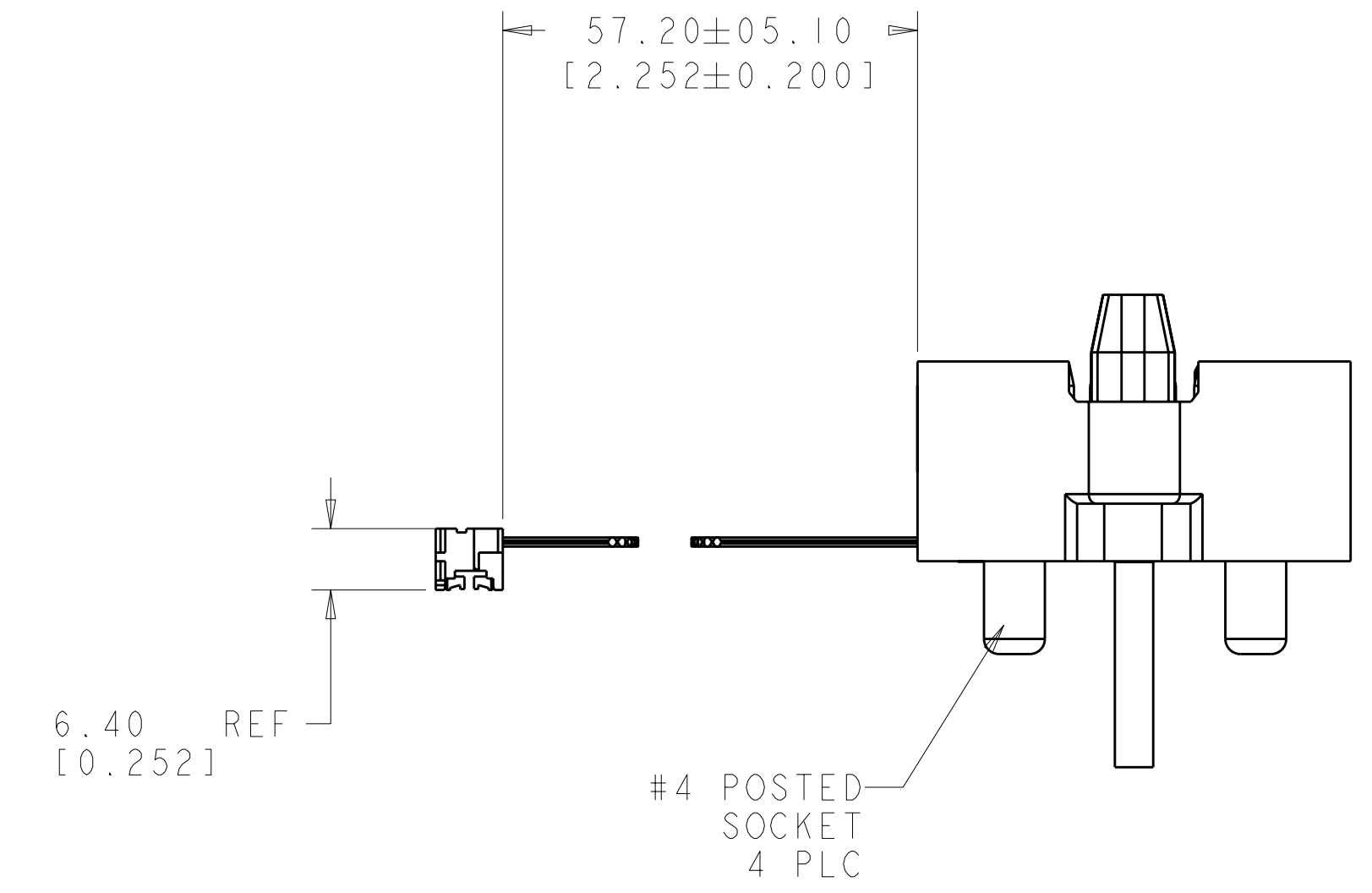
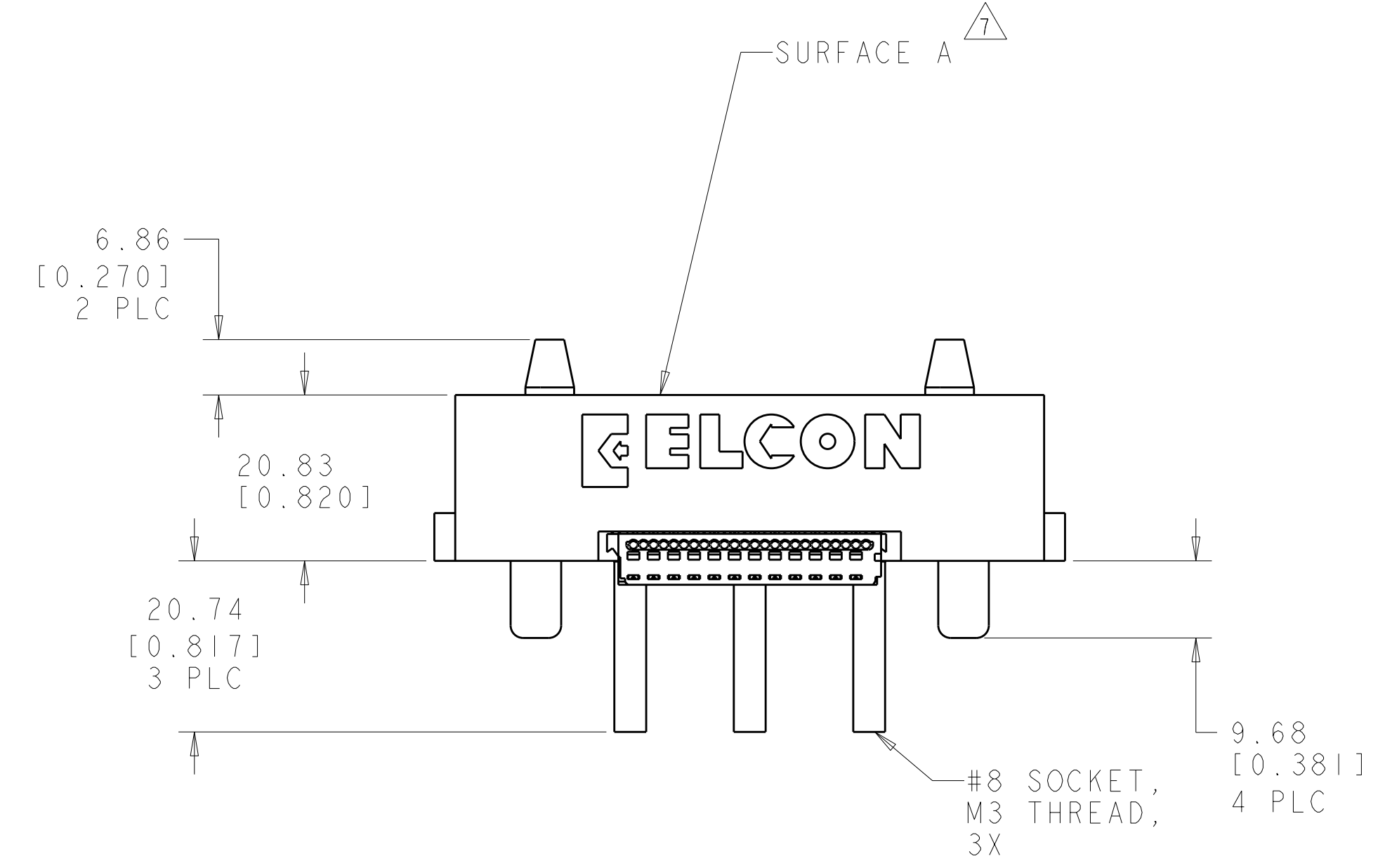
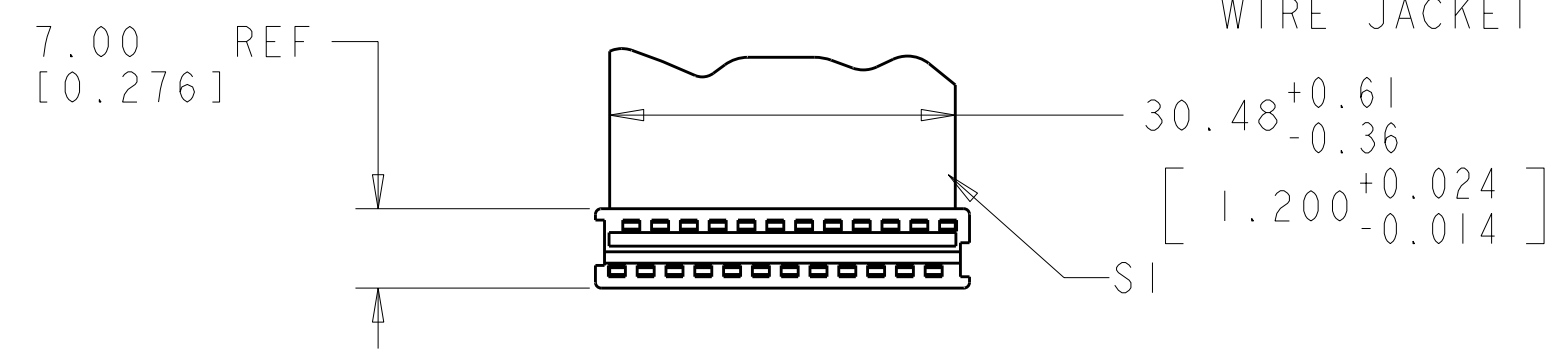
7. DIMENSIONS TO BE MEASURED AT SURFACE A.
 8. SIGNAL CONTACTS FLOAT IN CONTACT CAVITIES AND ARE PERMITTED TO BE ASYMMETRIC IN THE HOUSING OPENINGS

AS SHOWN		1926753-1	
DESCRIPTION		PART NUMBER	
DIMENSIONS: mm [INCHES] TOLERANCES UNLESS OTHERWISE SPECIFIED: 9 PLC ± 1 PLC ±0.25 5 PLC ± 4 PLC ± ANGLES ±9° MATERIAL: 2 FINISH: 3		DWN: WM VAN SCOCC CHK: G R DEBRAUGH APVD: G R DEBRAUGH DATE: 26NOV2007 NAME: G R DEBRAUGH PRODUCT SPEC: APPLICATION SPEC: WEIGHT: CUSTOMER DRAWING	
Tyco Electronics Harrisburg, PA 17105-3608 ASSEMBLY, SOCKET CONNECTOR, CUSTOM DRAWER, P7/S24, 18-SLOT, TYPE 2 SIZE: A 00779 C=1926753 SCALE: 1:1 SHEET 1 OF 3 REV 6		Tyco Electronics Harrisburg, PA 17105-3608 ASSEMBLY, SOCKET CONNECTOR, CUSTOM DRAWER, P7/S24, 18-SLOT, TYPE 2 SIZE: A 00779 C=1926753 SCALE: 1:1 SHEET 1 OF 3 REV 6	

LOC	DIST	REVISIONS			
P	LTB	DESCRIPTION	DATE	DWN	APVD
GP	00	SEE SHEET 1	-	-	-



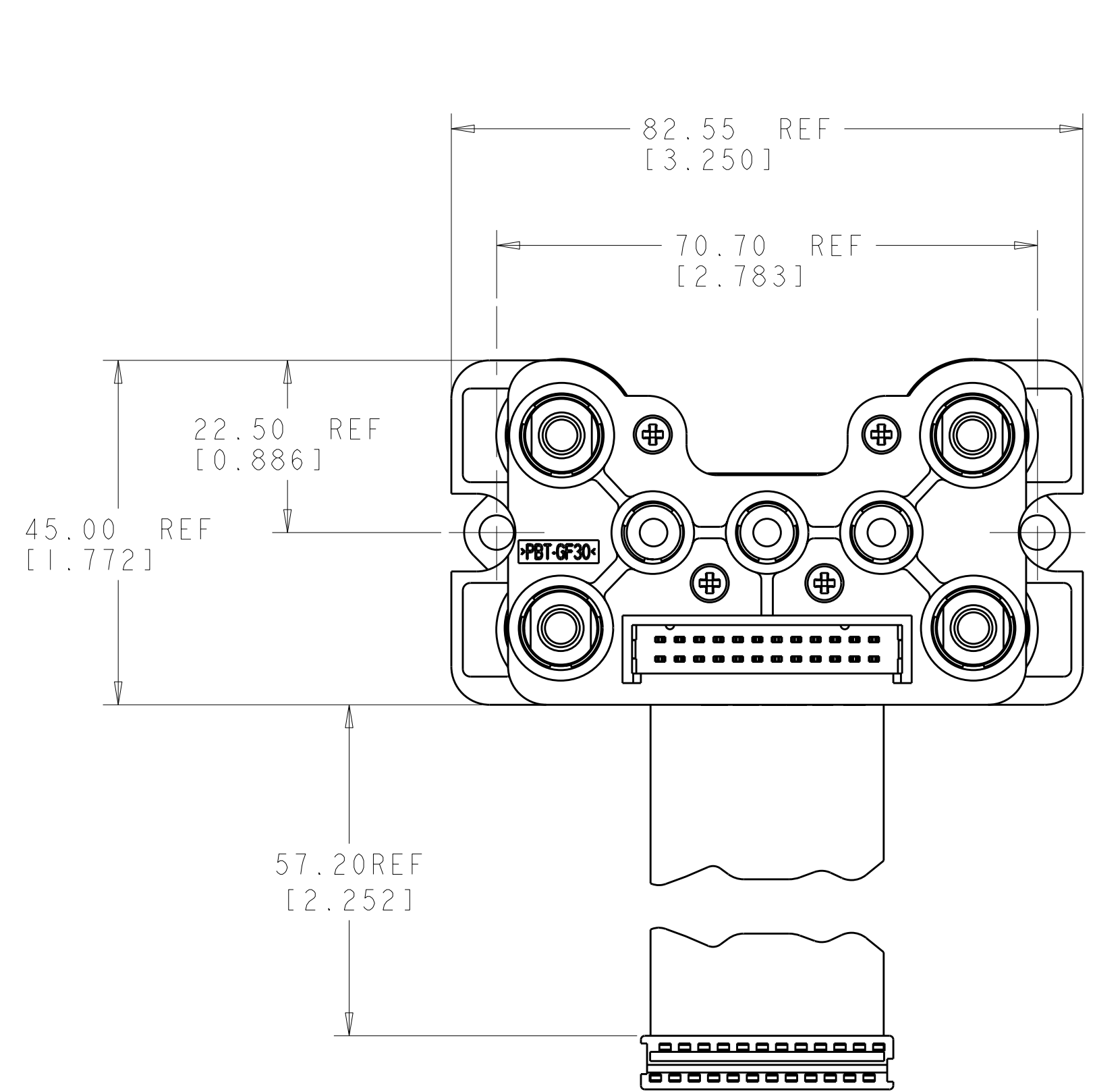
RIBBON CABLE CIRCUIT 1
 IDENTIFIED BY COLOR CODED
 WIRE JACKET



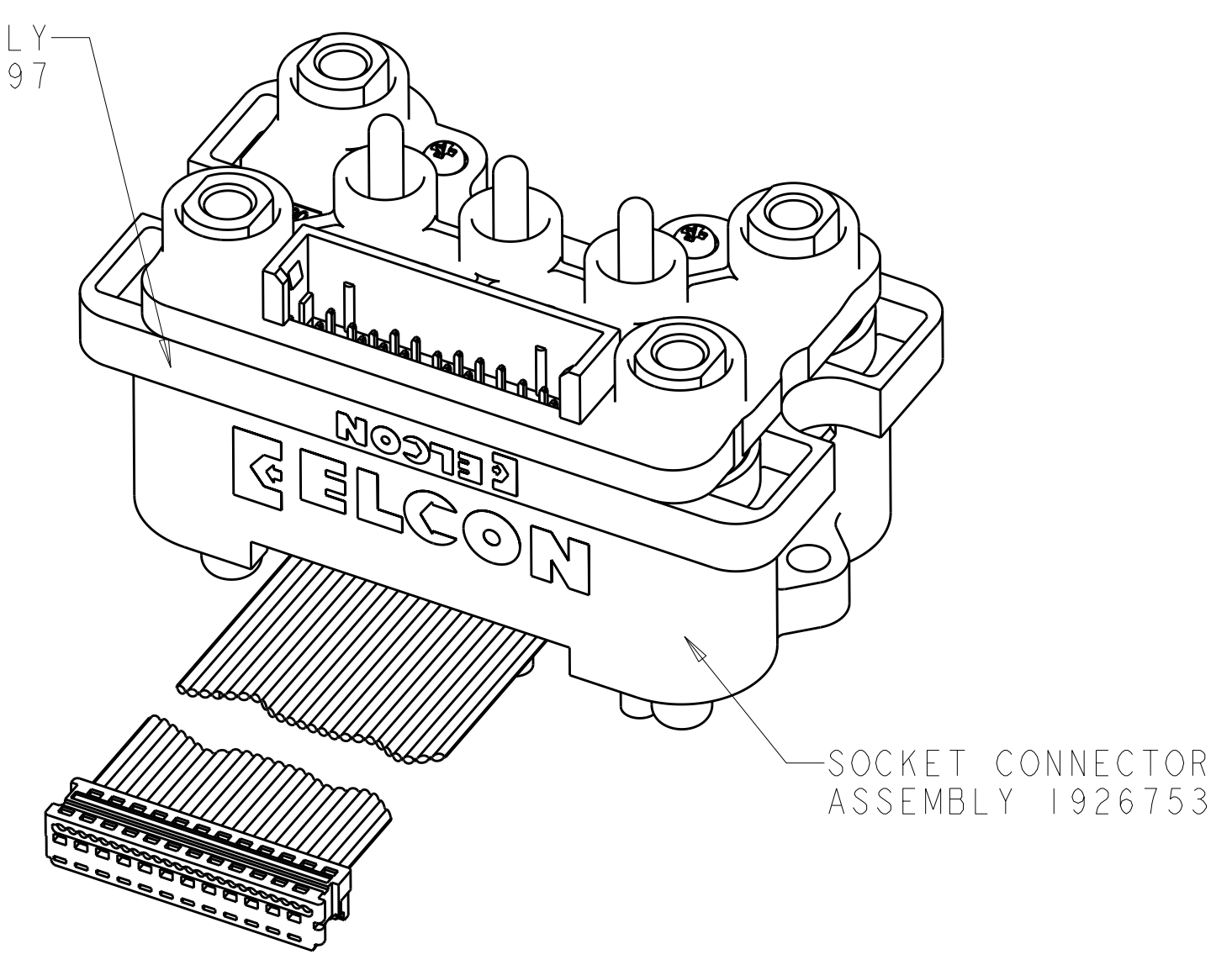
<small>THIS DRAWING IS UNPUBLISHED. RELEASED FOR PUBLICATION 20. THIS DRAWING IS UNPUBLISHED. RELEASED FOR PUBLICATION 20. THIS DRAWING IS UNPUBLISHED. RELEASED FOR PUBLICATION 20. THIS DRAWING IS UNPUBLISHED. RELEASED FOR PUBLICATION 20. THIS DRAWING IS UNPUBLISHED. RELEASED FOR PUBLICATION 20.</small>		DWN: 26NOV2007 CHK: WM VAN SCO G R DEF I RAUGH APVD: 26NOV2007 G R DEF I RAUGH	tyco Electronics Tyco Electronics Harrisburg, PA 17105-3608
DIMENSIONS: mm [INCHES] 9 PLC ± 1 PLC ± 2 PLC ±0.25 3 PLC ± 4 PLC ± ANGLES ±°	TOLERANCES UNLESS OTHERWISE SPECIFIED: ± ±0.25 ± ±°	NAME: ASSEMBLY, SOCKET CONNECTOR, CUSTOM DRAWER, P7/S24, 18-SLOT, TYPE 2 PRODUCT SPEC: APPLICATION SPEC: WEIGHT: CUSTOMER DRAWING	SIZE: A CAGE CODE: 100779 DRAWING NO: C=1926753 RESTRICTED TO: - SCALE: 3:2 SHEET 2 OF 3 REV 6

LOC	DIST	REV	DATE	BY	APPD
GP	00				

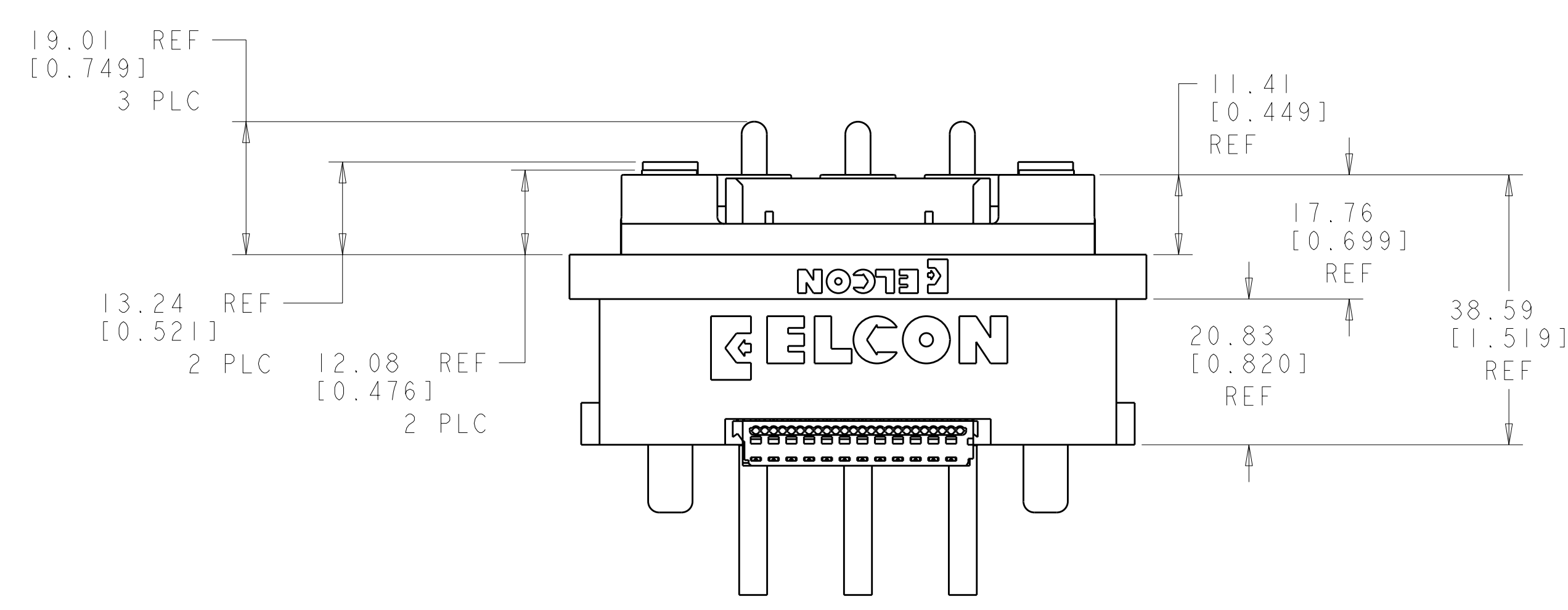
REVISONS		DATE	BY	APPD
-	SEE SHEET 1	-	-	-



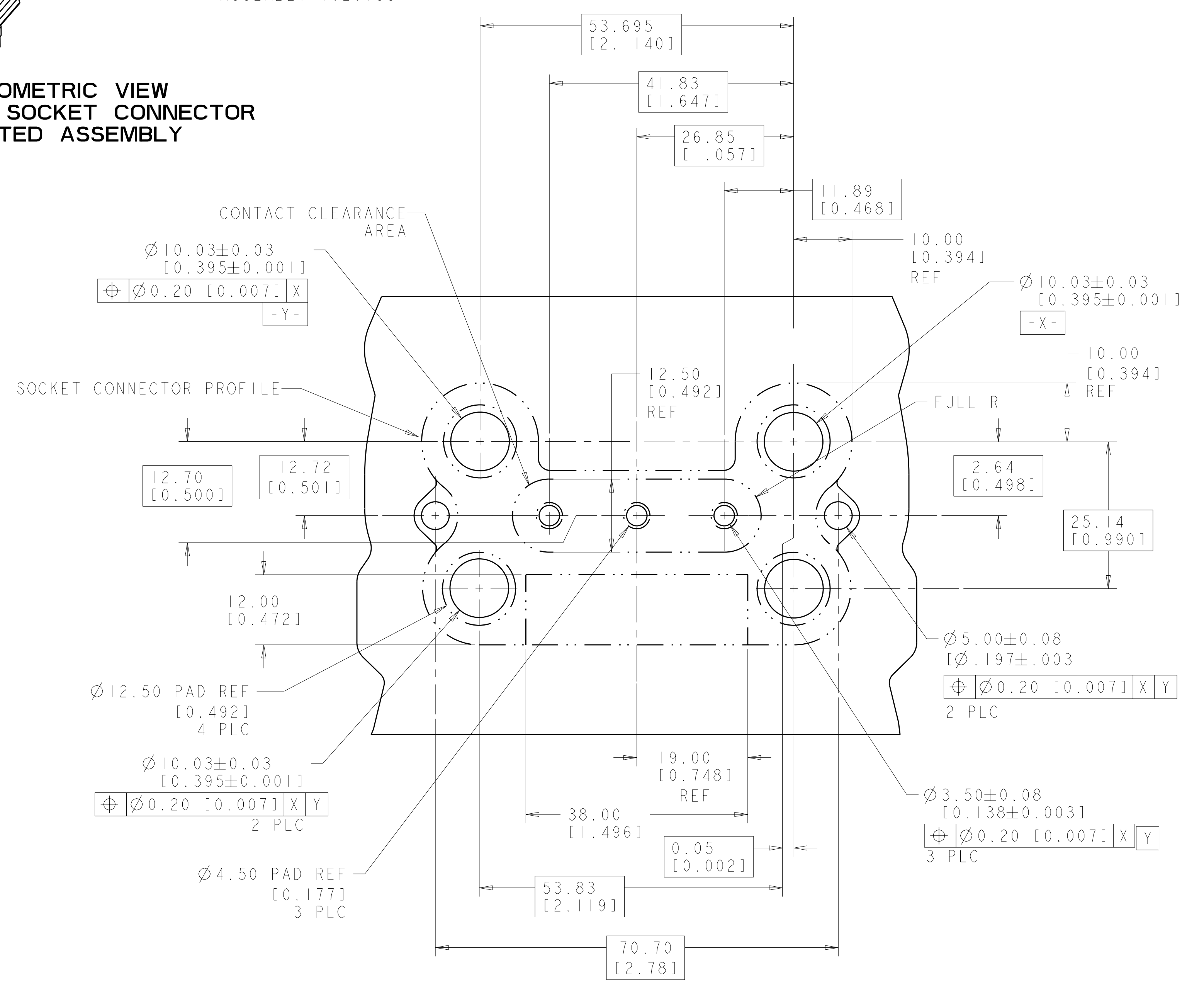
PIN CONNECTOR ASSEMBLY
 1926125 OR 1926797



ISOMETRIC VIEW
 PIN AND SOCKET CONNECTOR
 MATED ASSEMBLY



PIN AND SOCKET CONNECTOR
 MATED ASSEMBLY



RECOMMENDED BUS BAR LAYOUT
 (CONNECTOR SIDE)

<small>THIS DRAWING IS UNPUBLISHED. RELEASED FOR PUBLICATION BY TYCO ELECTRONICS CORPORATION. ALL RIGHTS RESERVED.</small>		DWN: 26NOV2007 CHK: 26NOV2007 G R DEF: 26NOV2007 APVD: 26NOV2007 G R DEF: 26NOV2007	tyco Electronics Tyco Electronics Harrisburg, PA 17105-3608
DIMENSIONS: mm [INCHES] TOLERANCES UNLESS OTHERWISE SPECIFIED: 0 PLC ± 1 PLC ±0.25 2 PLC ± 3 PLC ± 4 PLC ± ANGLES ± FINISH		NAME: ASSEMBLY, SOCKET CONNECTOR, CUSTOM DRAWER, P7/S24, 18-SLOT, TYPE 2 SIZE: A CAGE CODE: 100779 DRAWING NO: C=1926753	RESTRICTED TO: - SCALE: 3:2 SHEET: 3 OF 3 REV: 6
MATERIAL: - FINISH: -		WEIGHT: - CUSTOMER DRAWING: -	DATE: - BY: - APPD: -

单击下面可查看定价，库存，交付和生命周期等信息

[>>TE Connectivity\(泰科\)](#)