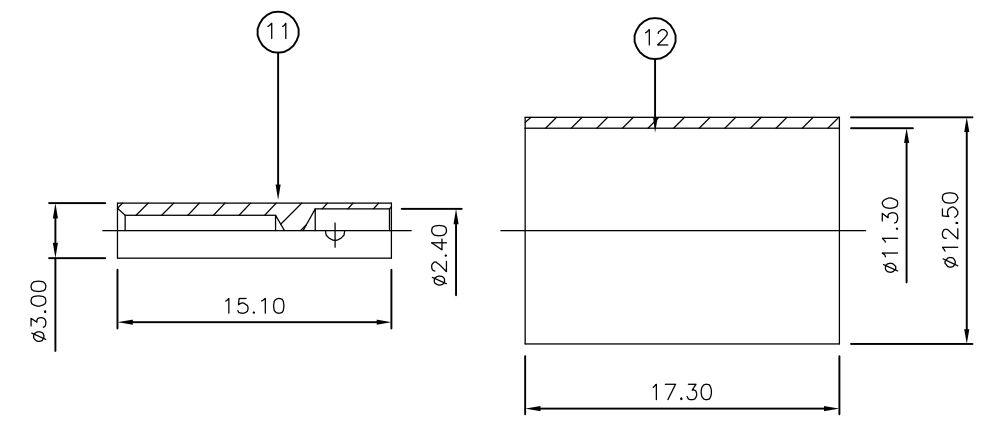
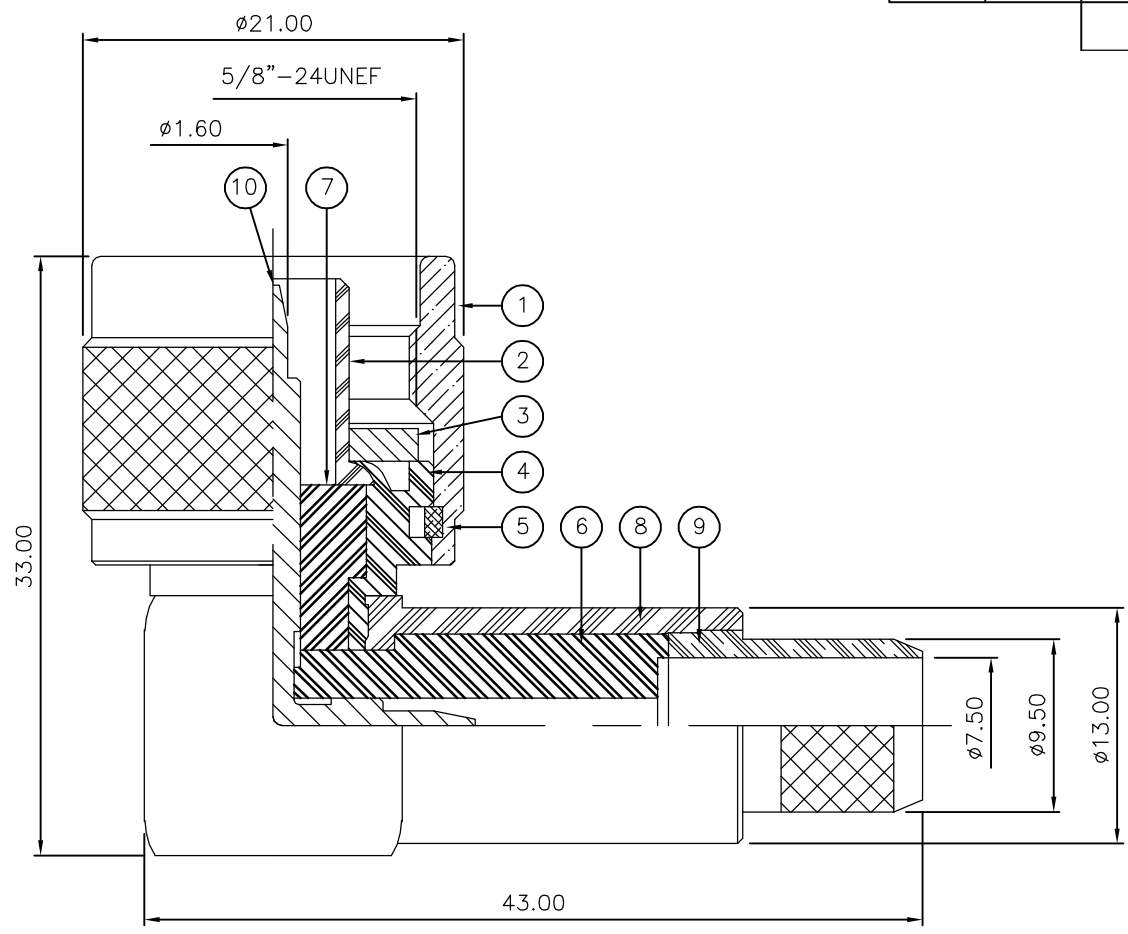


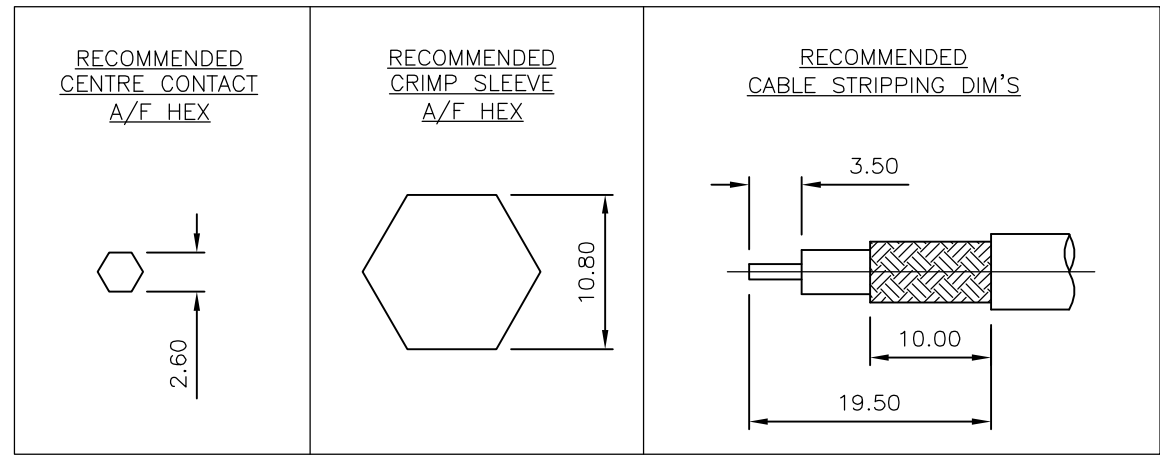
THIS DRAWING IS UNPUBLISHED. RELEASED FOR PUBLICATION MAY, 2006.  
 © COPYRIGHT 2006 BY TYCO ELECTRONICS CORPORATION. ALL RIGHTS RESERVED.

LOC	DIST	REVISIONS					
E	B	P	LTR	DESCRIPTION	DATE	DWN	APVD
		C		ECR-06-010127	18MAY06	JMS	FWK

- NOTES:**
- 1 PACK IN ACCORDANCE WITH AMP SPEC 107-3275
  - 2 100 TRAY PACK IN ACCORDANCE WITH AMP SPEC 107-3275
  - 3 Au PLATING
  - 4 Ni PLATING
  - 5 THIS ITEM MUST BE WHITE
  - 6 HAND TOOL : 9-1478240-0
  - 7 DIE SET : 9-1478246-0
  - 8 ELECTRICAL CHARACTERISTICS  
 FREQUENCY RANGE: DC - 11 GHz  
 NOMINAL IMPEDANCE: 50 Ohm  
 INSULATION RESISTANCE: 5000 MOhm  
 WORKING VOLTAGE: 1000 Volts RMS at Sea Level  
 DIELECTRIC WITHSTAND VOLTAGE: 2500 Volts RMS Max  
 CONTACT RESISTANCE:  
 CENTRE CONTACT: 1.00 mOhm Max  
 OUTER CONTACT: 1.00 mOhm Max  
 VSWR @ 4GHz: 1.50:1 Max  
 INSERTION LOSS dB @ x 4 GHz: 0.30 Max
  - 9 MECHANICAL CHARACTERISTICS  
 COUPLING RETENTION FORCE: 445N Min  
 CABLE RETENTION FORCE: 350N Min  
 DURABILITY: 500 Cycles Min
  - 10 ENVIRONMENTAL CHARACTERISTICS  
 OPERATING TEMPERATURE: -65 to +165 DegC
  - 11 FOR TECHNICAL DATA REFER TO YOUR LOCAL TYCO ELECTRONICS SALES OFFICE
  - 12 ALL DIMENSIONS ARE NOMINAL FOR REFERENCE ONLY UNLESS OTHERWISE STATED



QTY	QTY PER ASSY	MATERIAL	DESCRIPTION	ITEM
1	1	BRASS	FERRULE	12
1	1	BRASS	CONTACT 2	11
1	1	BRASS	CONTACT 1	10
1	1	BRASS	CHASSIS 2	9
1	1	BRASS	BODY 2	8
1	1	PTFE	INSULATION 2	7
1	1	PTFE	INSULATION 1	6
1	1	BRASS	CIRCLIP	5
1	1	BRASS	BODY 1	4
1	1	SILICONE RUBBER	GASKET	3
1	1	BRASS	CHASSIS 1	2
1	1	BRASS	COUPLING NUT	1
6--0	1--0			



THIS DRAWING IS A CONTROLLED DOCUMENT.

DWN J.SANDWELL 18MAY06  
 CHK S.PARLOW 18MAY06  
 APVD F.WHEELER-KING 18MAY06

PRODUCT SPEC  
 APPLICATION SPEC  
 411-3247

WEIGHT -

CUSTOMER DRAWING

SCALE NTS

SHEET 1 OF 1

REV C

TYCO Electronics Tyco Electronics Corporation Bideford EX39 4HE

NAME TYPE 'N' ELBOW PLUG CRIMP 50 OHM RG9B/U, 214/U, URM91, KX 13, KX 24

SIZE A3 CAGE CODE 00779 DRAWING NO C-1337628 RESTRICTED TO -

单击下面可查看定价，库存，交付和生命周期等信息

[>>TE Connectivity\(泰科\)](#)