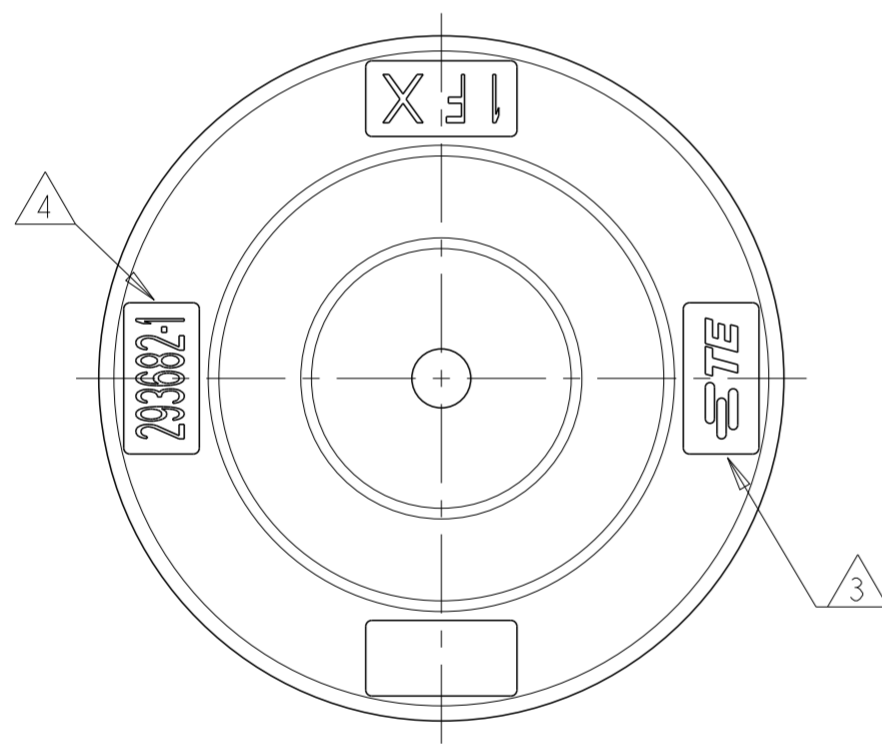
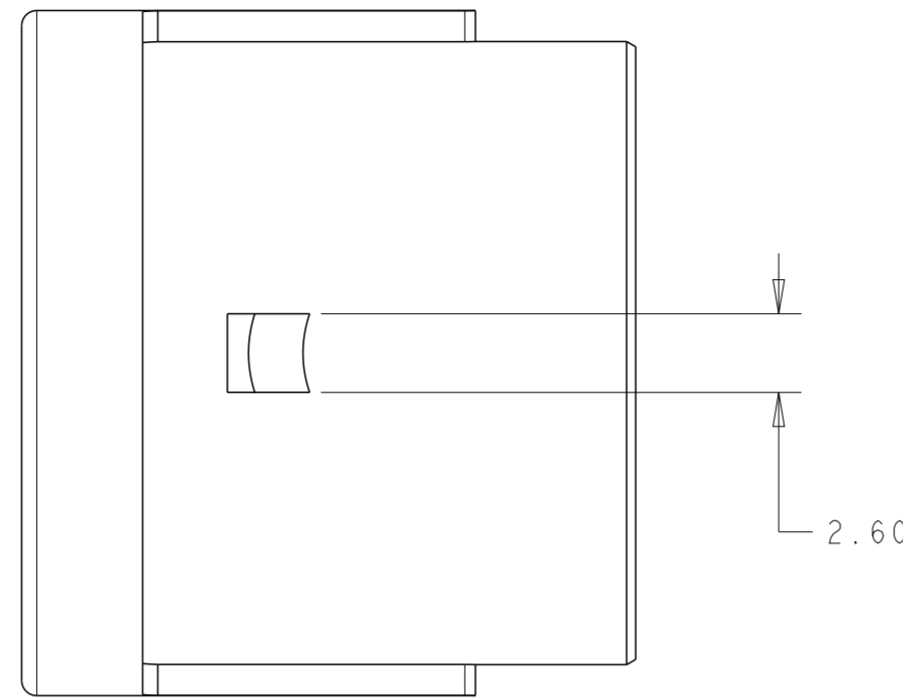


THIS DRAWING IS UNPUBLISHED. RELEASED FOR PUBLICATION 20  
 © COPYRIGHT 20 BY - ALL RIGHTS RESERVED.

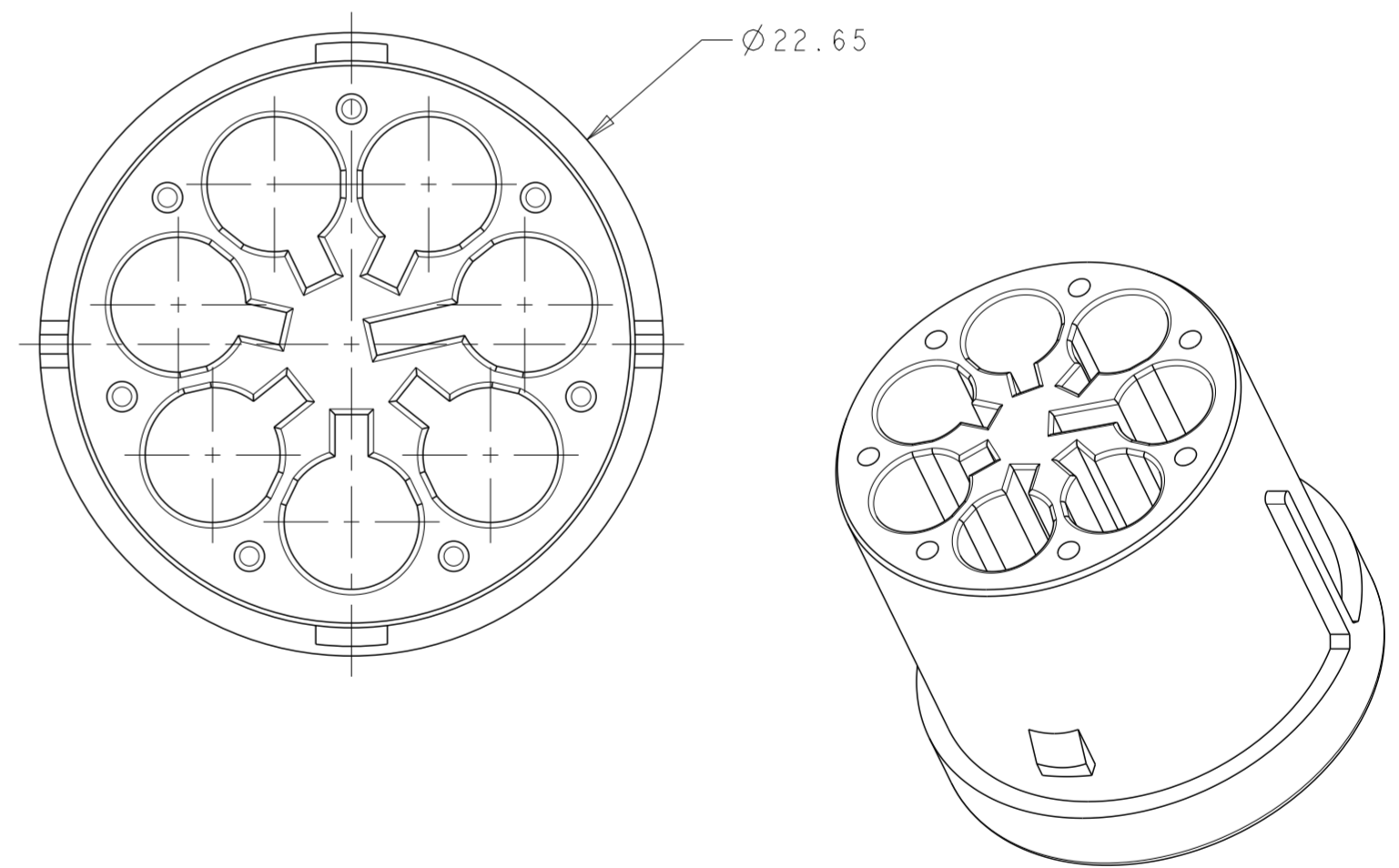
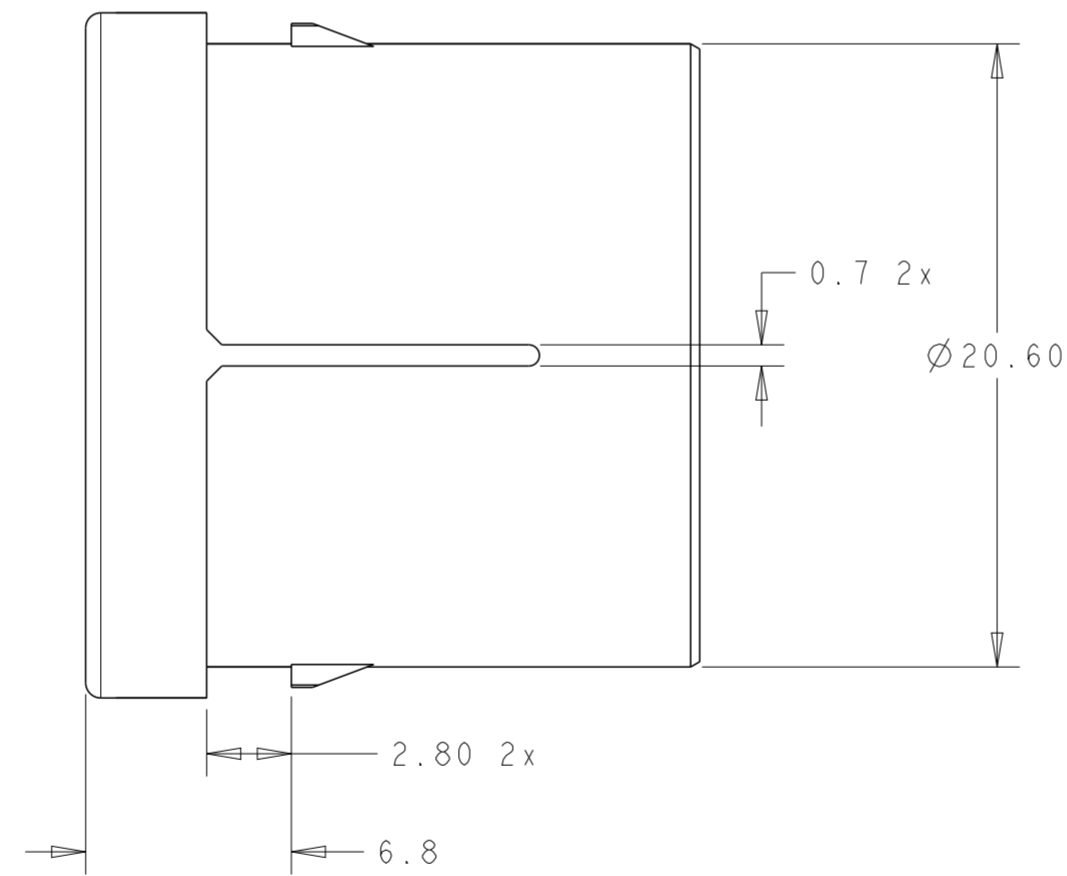
REVISIONS				
P	LTR	DESCRIPTION	DATE	APVD
A		ECR-15-003851	10MAR2015	KR JL
B		ECR-15-004175	23MAR2015	RS JL
C		REVISED AS PER ECR-15-008898	29JUN2015	RS JL
D		REVISED AS PER ECR-15-014607	19OCT2015	RS JL

NOTES:

- 1 MATERIAL: GLASS FILLED PBT  
COLOR: BLACK
- 2. MUST COMPLY WITH DIRECTIVE 2002/95/EC (ROHS)
- 3 TE LOGO
- 4 TE PART NUMBER



SCALE 4:1



2213588-1  
 PART NO.

THIS DRAWING IS A CONTROLLED DOCUMENT.		DWN J. SHAFFER 07 JAN 2015	TE Connectivity	
DIMENSIONS: mm		CHK M. LUKSIC 07 JAN 2015		
TOLERANCES UNLESS OTHERWISE SPECIFIED:		APVD M. LUKSIC 07 JAN 2015	NAME SOCKET CAP, SEALED NECTOR M-LINE 5, 6, 7 POSN	
0 PLC ±		PRODUCT SPEC	SIZE	RESTRICTED TO
1 PLC ±0.15		APPLICATION SPEC	A2	-
2 PLC ±0.10		WEIGHT	CAGE CODE	DRAWING NO
3 PLC ±		Customer Drawing	-	G-2213588
4 PLC ±		SCALE	3:1	SHEET 1 OF 1
ANGLES ±		REV	D	
FINISH				

单击下面可查看定价，库存，交付和生命周期等信息

[>>TE Connectivity\(泰科\)](#)