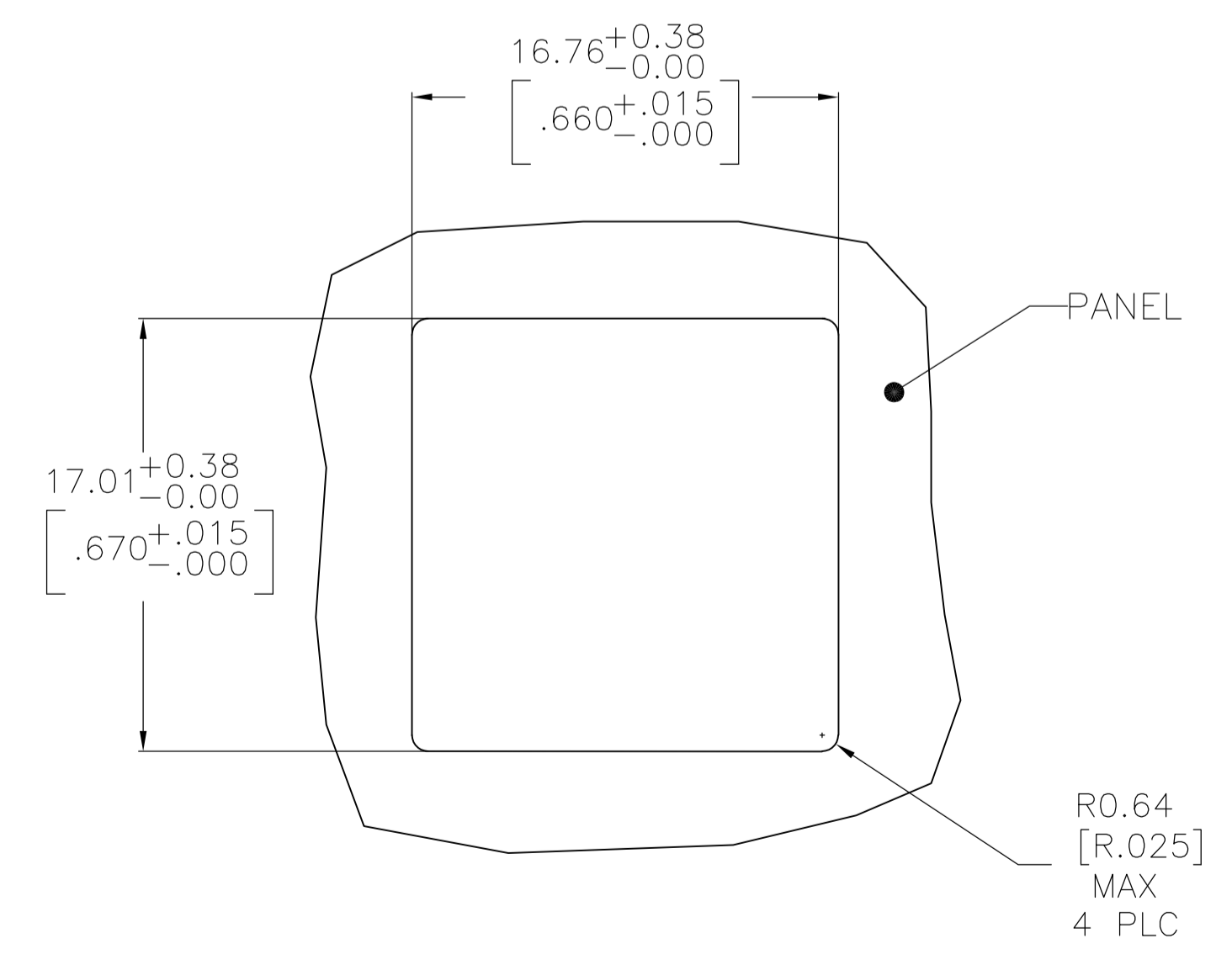


RECOMMENDED PRINTED CIRCUIT BOARD LAYOUT  
 COMPONENT SIDE SHOWN



RECOMMENDED PANEL CUTOUT

- MATERIAL:  
 HOUSING – POLYESTER MOLDING COMPOUND, COLOR: BLACK  
 TERMINALS – 0.35[.0138] THICK PHOS BRONZE PLATED WITH 1.27µm[.000050] MIN THICK GOLD IN LOCALIZED AREA AND 3.81µm[.000150] MIN THICK MATTE TIN IN SOLDER AREA OVER 1.27µm[.000050] MIN THICK NICKEL UNDERPLATE  
 SHIELD – COPPER ZINC ALLOY PLATED WITH 3.0µm[.000120] MIN THICK REFLOWED TIN.

2 CAVITY CONFORMS TO FCC RULES AND REGULATIONS PART 68 AND REA BULLETIN 345-81, PE-76 SPECIFICATION FOR MODULAR TELEPHONE HARDWARE.

6368115-1  
 PART NO

THIS DRAWING IS A CONTROLLED DOCUMENT.		DIN	15JUN2005	Tyco Electronics Corporation	
		CHK	DOCKS	Harrisburg, PA 17105-3608	
		APVD	15JUN2005	Tyco Electronics Corporation	
		NAME	FLICKINGER	MODULAR JACK ASSEMBY, TOP ENTRY, 8 POSITION, SHIELDED, WITH PANEL STOPS, PCB AND PANEL GROUNDS (IR COMPATIBLE)	
DIMENSIONS: mm [INCHES]		PRODUCT SPEC	108-1163	SIZE	
TOLERANCES UNLESS OTHERWISE SPECIFIED:		APPLICATION SPEC	114-2048	CAGE CODE	DRAWING NO
0 PLC ± -	1 PLC ± -	WEIGHT	—	A1	00779
2 PLC ± -	3 PLC ± 0.13(.005)	SCALE	4:1	SHEET	1 OF 1
4 PLC ± -	ANGLES ± -	RESTRICTED TO		REV	C
MATERIAL SEE NOTE 1	FINISH SEE NOTE 1	CUSTOMER DRAWING			

单击下面可查看定价，库存，交付和生命周期等信息

[>>TE Connectivity\(泰科\)](#)