

THIS DRAWING IS UNPUBLISHED.

RELEASED FOR PUBLICATION

20

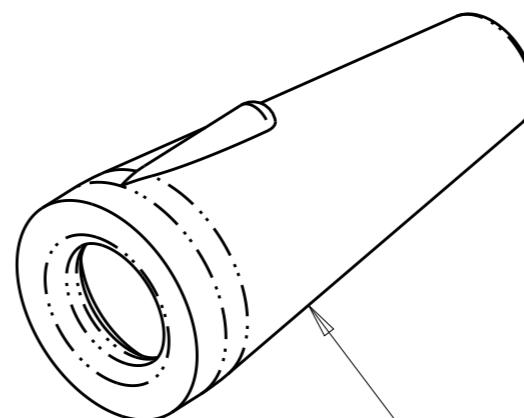
© COPYRIGHT 20 BY -

ALL RIGHTS RESERVED.

REVISIONS

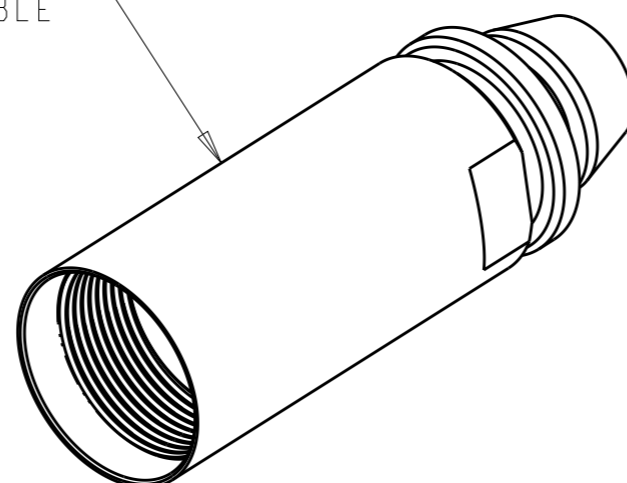
P	LTR	DESCRIPTION	DATE	DWN	APVD
	C	ECR-15-008603	23JUN2015	KG	DW

I. PACKAGED LOOSE PIECE.



BOOT  
MAT'L: SEE TABLE

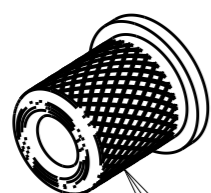
EXTENSION  
MAT'L: SEE TABLE



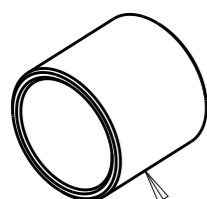
WASHER  
MAT'L: STAINLESS STEEL



SEAL  
MAT'L: FLUROSILICONE RUBBER



CRIMP SUPPORT  
MAT'L: NICKEL-SILVER ALLOY



CRIMP SLEEVE  
MAT'L: NICKEL-SILVER ALLOY

FLUROSILICONE RUBBER	NICKEL ALUMINUM BRONZE	6.7mm	1-1828700-6
		6.2mm	1-1828700-5
		5.6mm	1-1828700-4
FLUROSILICONE RUBBER	ALUMINUM ALLOY	5.1mm	1-1828700-3
		6.7mm	1-1828700-2
		6.2mm	1-1828700-1
EPDM RUBBER	NICKEL ALUMINUM BRONZE	5.6mm	1-1828700-0
		5.1mm	1828700-9
		6.7mm	1828700-8
EPDM RUBBER	ALUMINUM ALLOY	6.2mm	1828700-7
		5.6mm	1828700-6
		5.1mm	1828700-5
BOOT MATERIAL	EXTENSION MATERIAL	6.7mm	1828700-4
		6.2mm	1828700-3
		5.6mm	1828700-2
		5.1mm	1828700-1
		MAXIMUM CABLE SIZE	PART NUMBER

THIS DRAWING IS A CONTROLLED DOCUMENT.

DWN K. GLATFELTER 17 JUN 2005

CHK D. WERTMAN 24 JUN 2005

APVD D. WERTMAN 24 JUN 2005

PRODUCT SPEC -

APPLICATION SPEC -

WEIGHT -

Customer Drawing



TE Connectivity

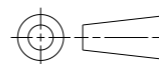
NAME  
CABLE ADAPTER KIT, PLUG  
PRO BEAM MINI

SIZE CAGE CODE DRAWING NO RESTRICTED TO

A300779 C-1828700

SCALE 2:1 SHEET 1 OF 1 REV C

DIMENSIONS:  
mm



TOLERANCES UNLESS OTHERWISE SPECIFIED:

- 0 PLC ±-
- 1 PLC ±-
- 2 PLC ±-
- 3 PLC ±-
- 4 PLC ±-
- ANGLES ±-

MATERIAL AS LISTED

FINISH HARD ANODIZE (AI ONLY)

单击下面可查看定价，库存，交付和生命周期等信息

[>>TE Connectivity\(泰科\)](#)