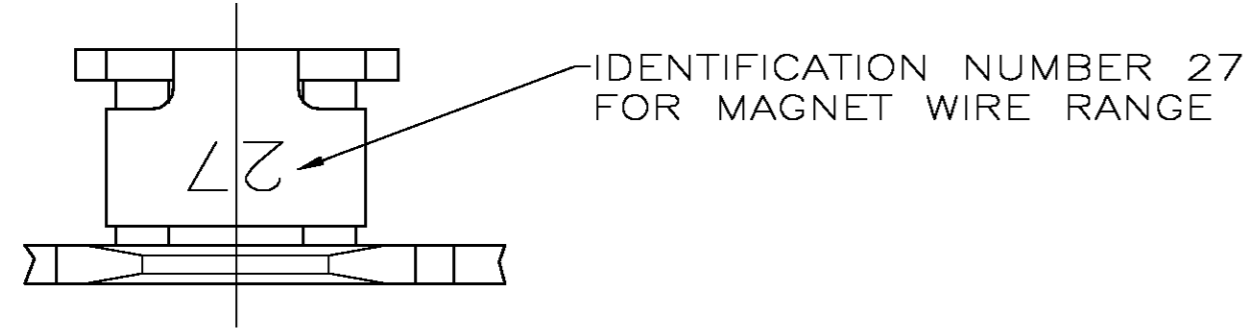
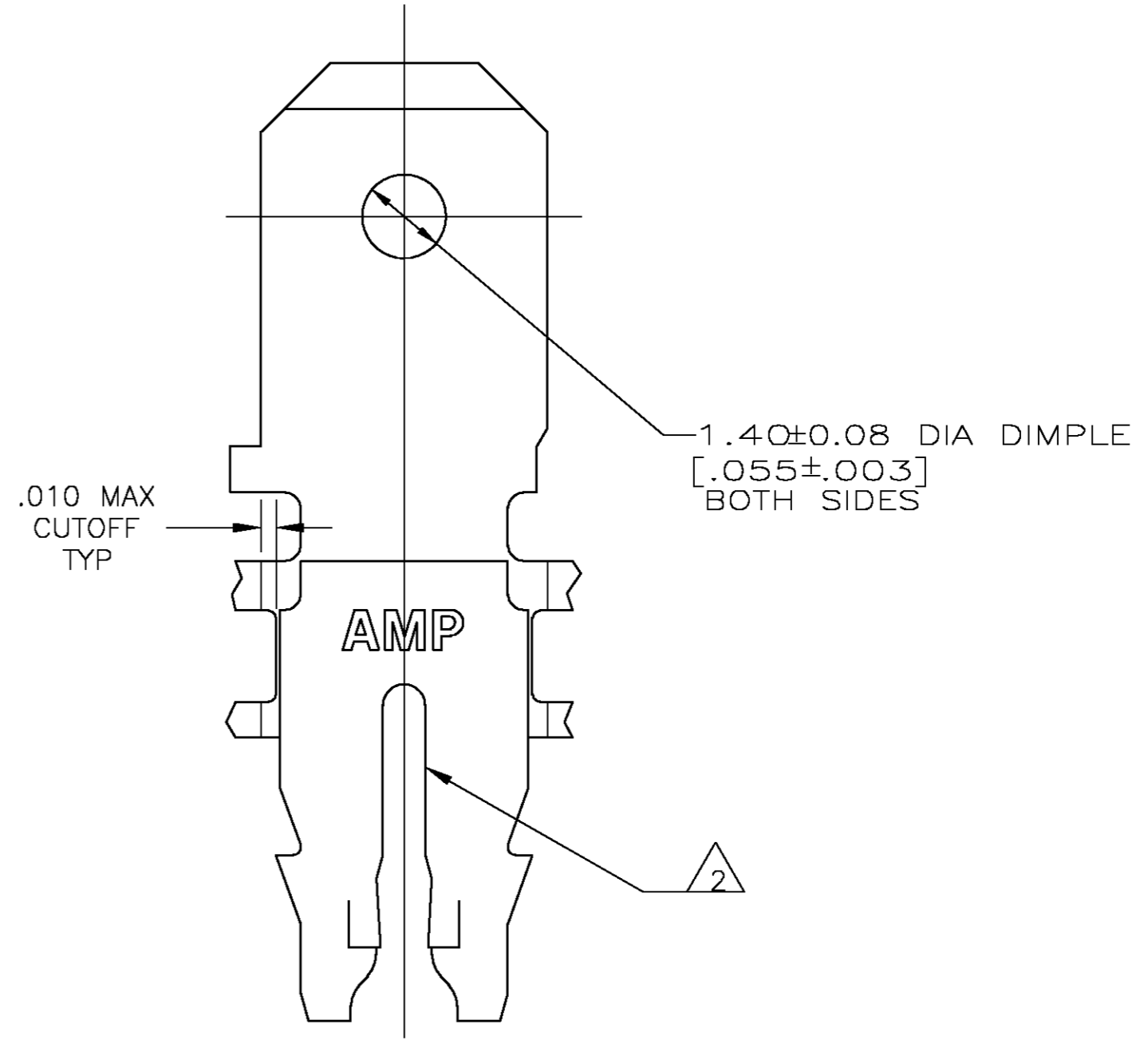
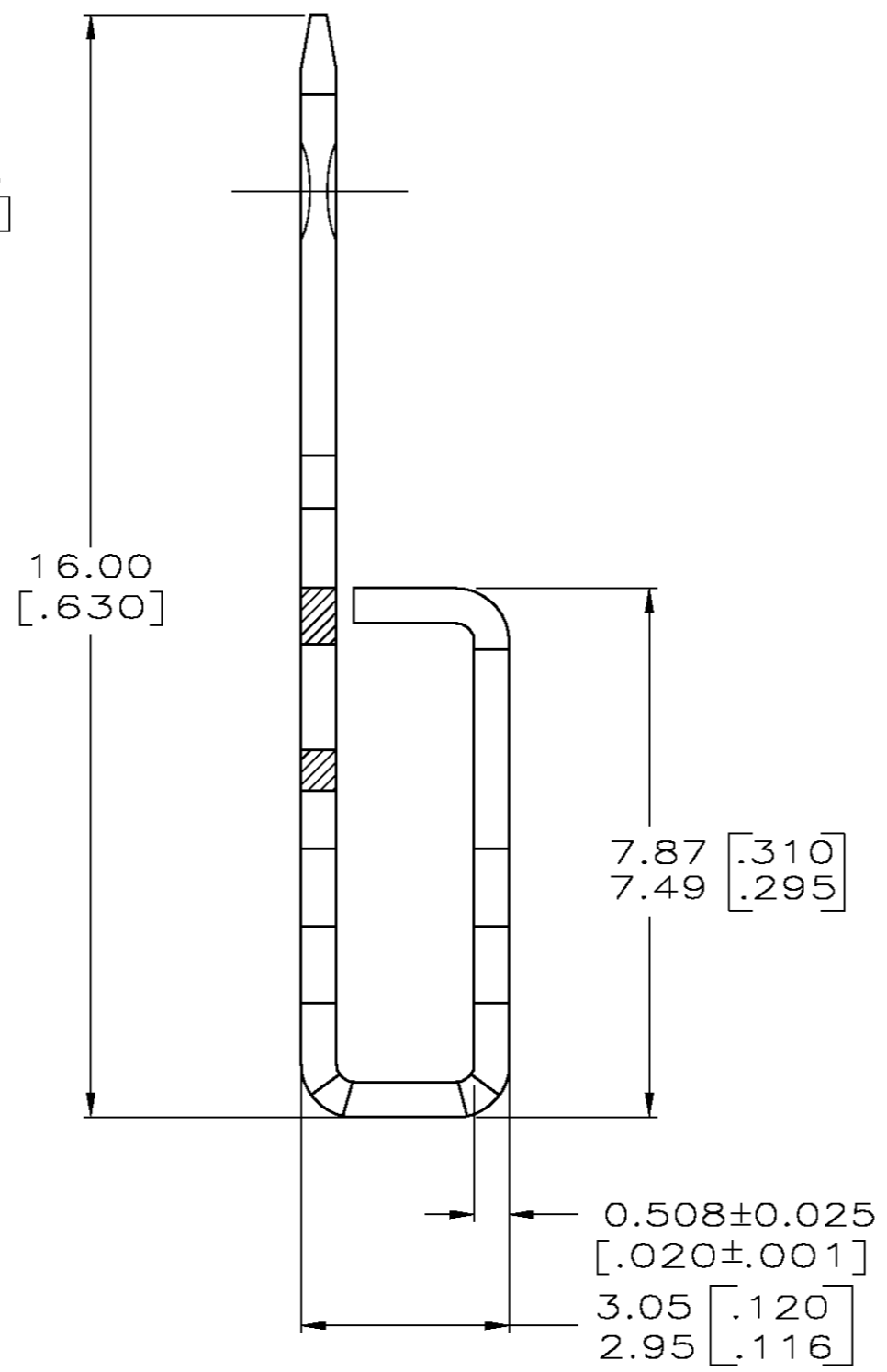
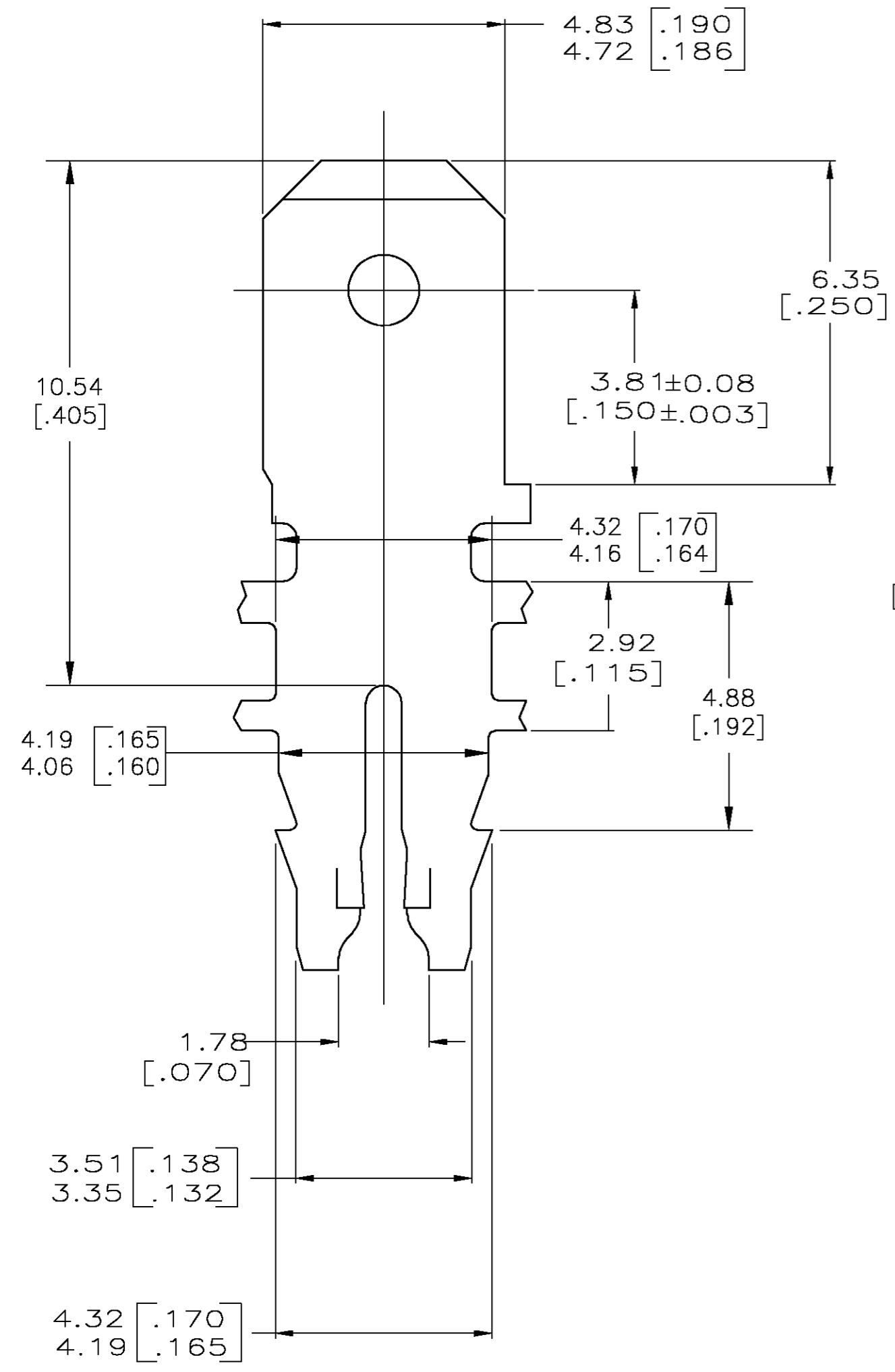


THIS DRAWING IS UNPUBLISHED. RELEASED FOR PUBLICATION  
 © COPYRIGHT BY TYCO ELECTRONICS CORPORATION. ALL RIGHTS RESERVED.

LOC		DIST		REVISIONS			
P	LTR	DESCRIPTION	DATE	DWN	APVD		
		REV PER 0G3A-1012-04	03JAN05	JR	KR		



- 1 CONTINUOUS STRIP ON REELS WITH TERMINALS LOCATED ON 5.59±0.08 [.220±.003] CENTERS.
- 2 SLOT TERMINATES EITHER A SINGLE OR DOUBLE MAGNET WIRE OF THE SAME SIZE AND TYPE. COPPER RANGE: 0.91-1.15mm [#19-#17] AWG.
- 3 AFTER INSERTION INTO PLASTIC HOLDER TAB PORTION MUST BE BENT OVER 45° TO 90° OR POTTED TO PREVENT PULL-OUT WHEN MATING RECEPTACLE IS DISCONNECTED.
- 4 SPECIAL CAVITY ANVIL HEIGHT REQUIRED 3.30±0.07 [.130±.003] REF APPLICATION SPEC 114-2046, SEC. 3.2, NOTE 7



1742160-1  
 PART NUMBER

THIS DRAWING IS A CONTROLLED DOCUMENT.		DWN 16AUG2004 MICHAEL S. FEHER	Tyco Electronics Corporation Harrisburg, Pa 17105-3608	
DIMENSIONS: INCHES		CHK 16AUG2004 KURT A. RANDOLPH	NAME	
TOLERANCES UNLESS OTHERWISE SPECIFIED:		APVD 16AUG2004 KURT A. RANDOLPH	PRODUCT SPEC	
0 PLC ± -		108-2012		
1 PLC ± -		APPLICATION SPEC		
2 PLC ± 0.25 [.010]		114-2046 4		
3 PLC ± -		SIZE CAGE CODE DRAWING NO		
4 PLC ± -		A2 00779 C=1742160		
ANGLES ± -		RESTRICTED TO		
MATERIAL 4M BRASS		WEIGHT -		
FINISH 0.002032 [.000080]		SCALE 10:1 SHEET 1 OF 1 REV D		
MIN TIN PLATE		CUSTOMER DRAWING		

单击下面可查看定价，库存，交付和生命周期等信息

[>>TE Connectivity\(泰科\)](#)