

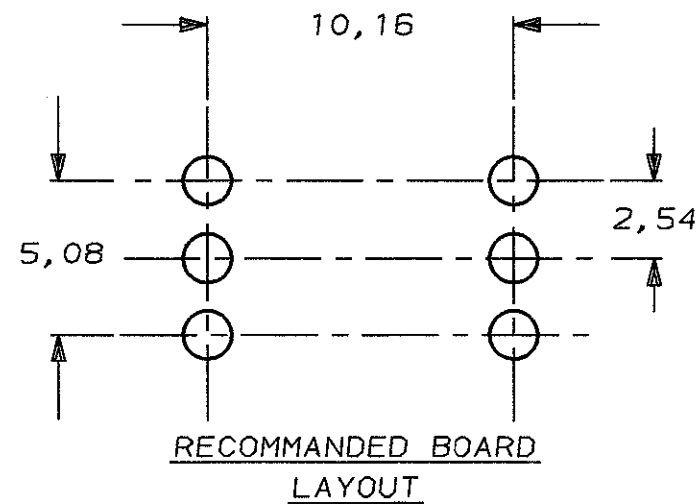
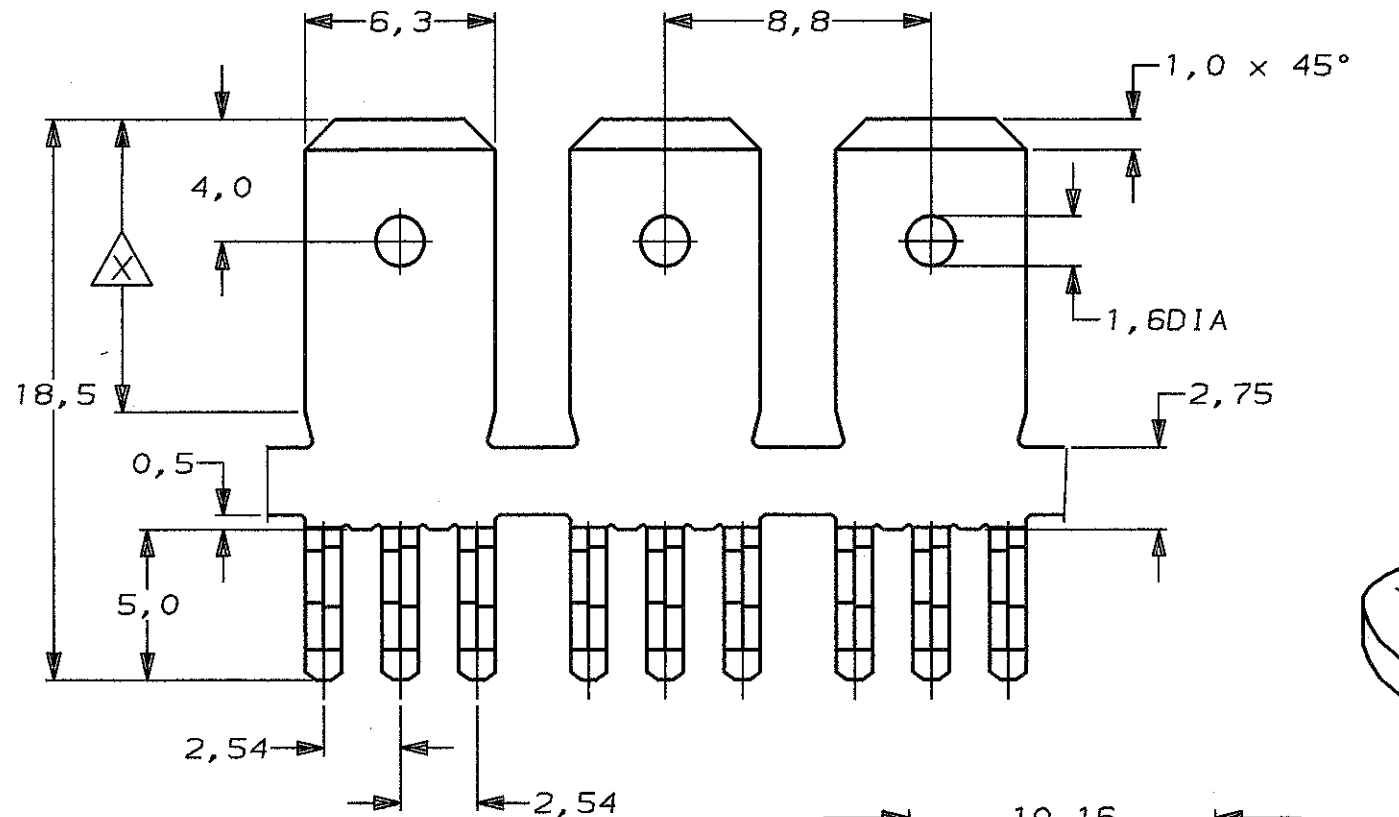
DO NOT SCALE

DIMENSIONS IN mm

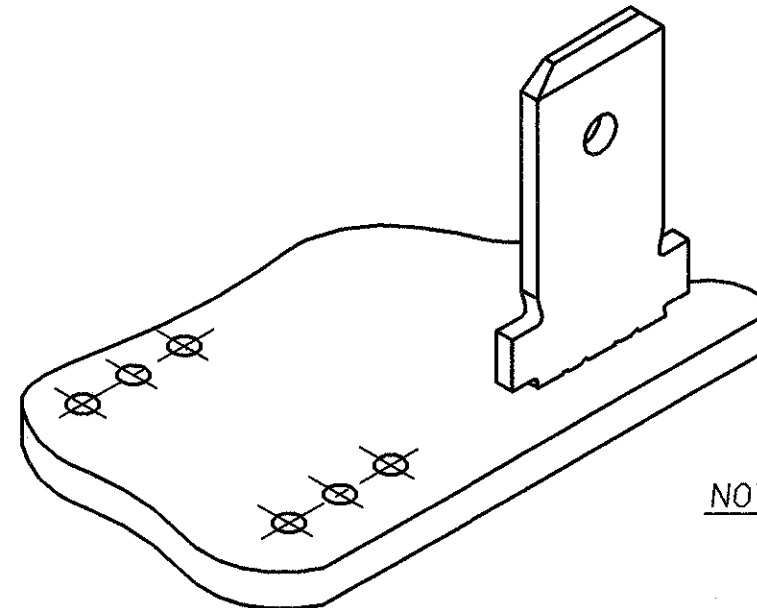
METRIC

THIRD ANGLE

PROJECTION



P.C.B. HOLE DIM. ACTION PIN		
DRILLED HOLE	:1,6	±0,025 mm
FIN. HOLE	:1,39	+0,15 -0,0 mm
AFTER REFLOW	:1,37	+0,15 -0,0 mm
Cu-thks	:0,025 to	0,075 mm
SnPb-thks	:0,004 to	0,010 mm



NOTES:

- 1 PHOSPHORBRONZE # 4 HD
- 2 2,54µm Sn/Pb OVER
1,25µm MIN. NICKEL.
- 3 AT AREA 2,54µm Sn/Pb 93/7 MIN.
1,25µm NICKEL MIN. UNDERCOATING
ALL OVER.

		100277-3
		100277-2
FINISH	MATERIAL	PARTNUMBER

CUSTOMER DRAWING

AMP

AMP-HOLLAND B.V.
's-Hertogenbosch, The Netherlands.

FOR REFERENCE ONLY
WILL NOT BE UPDATED

THIS DRAWING IS UNPUBLISHED RELEASED FOR PUBLICATION, IS
© COPYRIGHT 19- BY AMP-HOLLAND B.V.
ALL INTERNATIONAL RIGHTS RESERVED.
AMP PRODUCTS MAY BE COVERED BY U.S. AND FOREIGN PATENTS AND/OR
PATENTS PENDING.

DR. R.v.LOKVEN	DATE 28.02.91	WIRE RANGE -	NAME .250 SRS TAB WITH ACTION-PIN FOR POSITIVE LOCK RECEPTACLE (FOR 2,4-3,2 PC.B. THICKNESS)	REV.DATE D M Y 28 02 91
CHK. R.v.LOKVEN	DATE 28.02.91	INSUL. RANGE -		
APP. L.v.SOEST.	DATE 5-4-91	SIZE A3	SHEET 1 OF 1	DWG. No. C-100277 REV.LTR. 0

单击下面可查看定价，库存，交付和生命周期等信息

[>>TE Connectivity\(泰科\)](#)