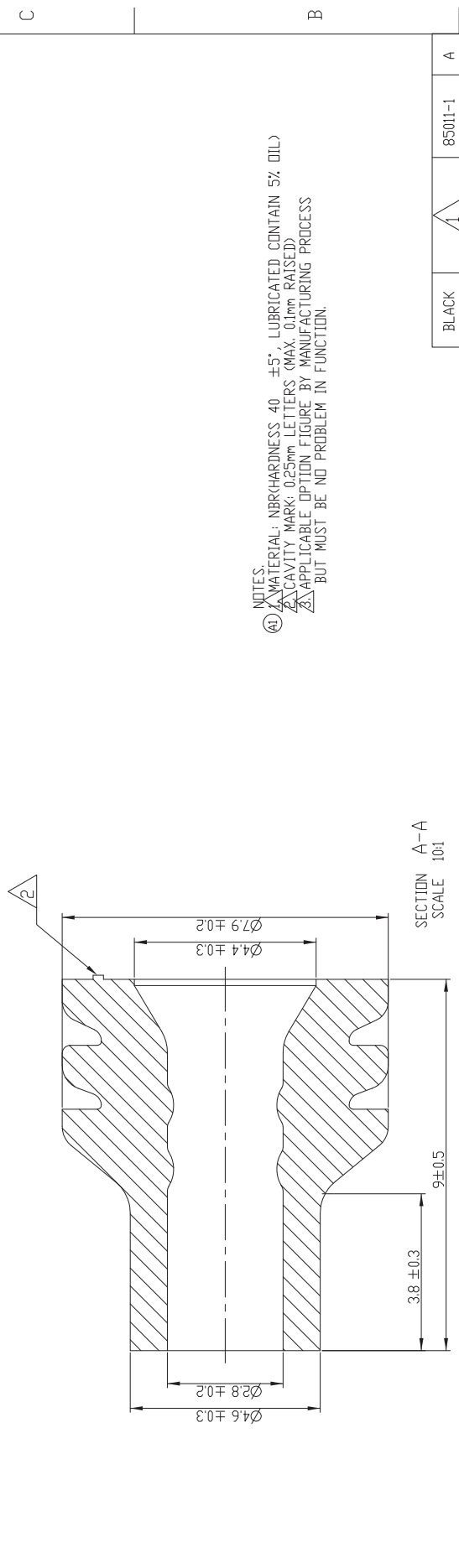
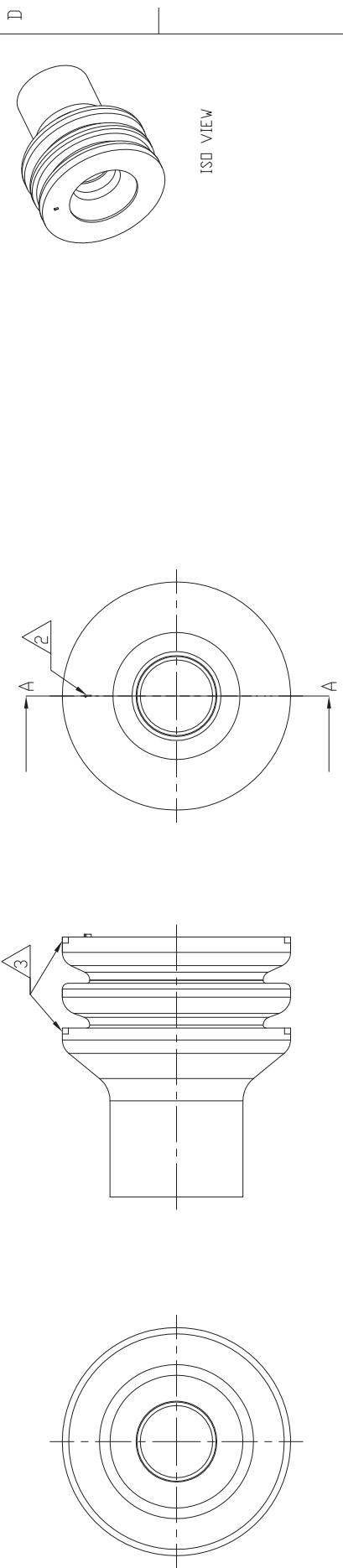


THIS DRAWING IS UNPUBLISHED.		RELEASED FOR PUBLICATION		20	
© COPYRIGHT 20		ALL RIGHTS RESERVED.			
BY -					
P		LTR	DATE	DWN	APVD
A1		REVISED (ECR-16-007323)	19MAY16	JM	JW



NOTES:  
 (A) MATERIAL: NBR(HARDNESS 40 ±5°, LUBRICATED CONTAIN 5% OIL)  
 (B) CAVITY MARK: 0.25mm LETTERS (MAX. 0.1mm RAISED)  
 (C) APPLICABLE OPTION FIGURE BY MANUFACTURING PROCESS  
 BUT MUST BE NO PROBLEM IN FUNCTION.

BLACK	1	85011-1	A
COLOR	MATERIAL	P/N	REV.



TE Connectivity

THIS DRAWING IS A CONTROLLED DOCUMENT.		DWN: JW JEON		NAME: TE Connectivity	
TOLERANCES UNLESS OTHERWISE SPECIFIED:		CHK: -	APVD: JW JUNG	PRODUCT SPEC: -	
0 PLC	±	APPL: -	APP: -	WEIGHT: -	CUSTOMER DRAWING
1 PLC	±	FINISH: -	SCALE: 7:1	SHEET: 1	OF: 1
2 PLC	±	SEE NOTE.	WIRE SEAL FOR 187 SLD 2P CONN'R		
3 PLC	±		(INSULATION DIA: Ø2.9-3.8mm)		
4 PLC	±		SIZE: A3	CAGE CODE: -	DRAWING NO: C-85011
FINISH	±		RESTRICTED TO: -		
MATERIAL: -		SCALE: 7:1		REV: A1	

单击下面可查看定价，库存，交付和生命周期等信息

[>>TE Connectivity\(泰科\)](#)