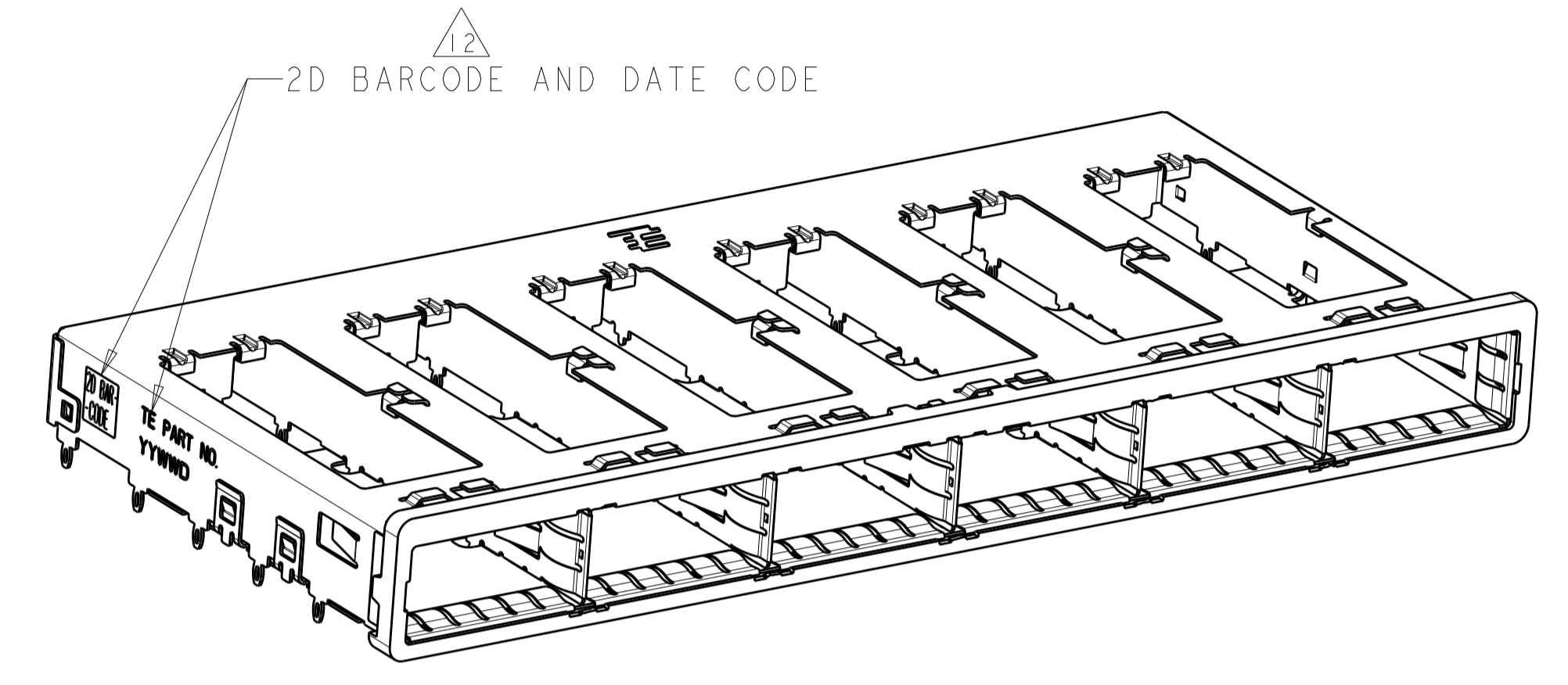
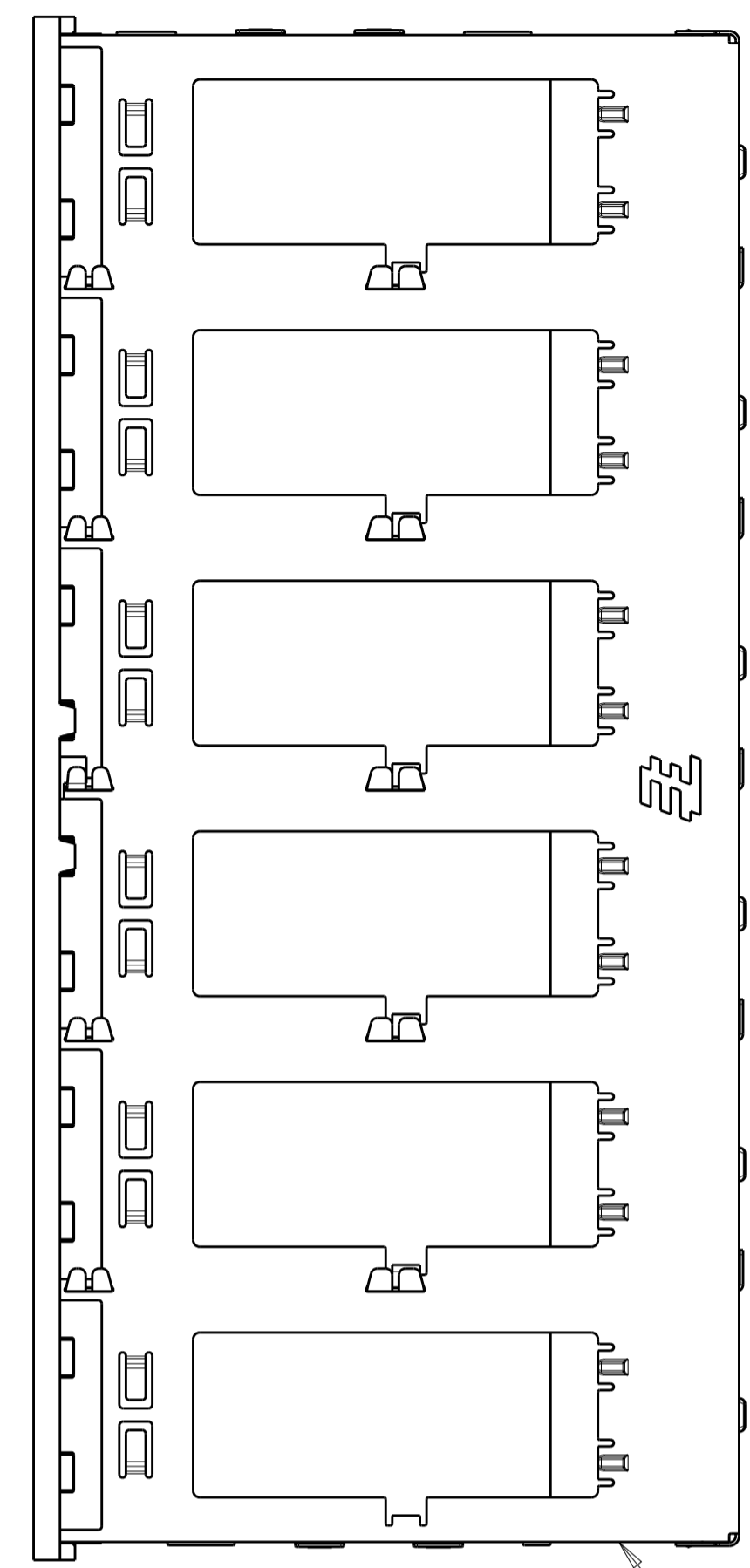
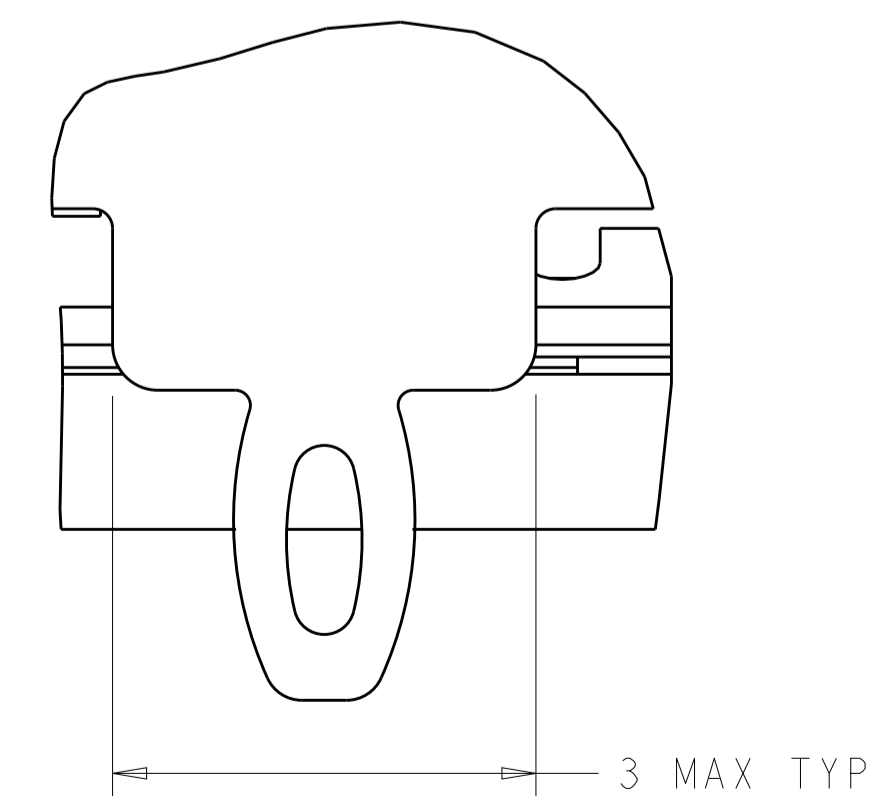
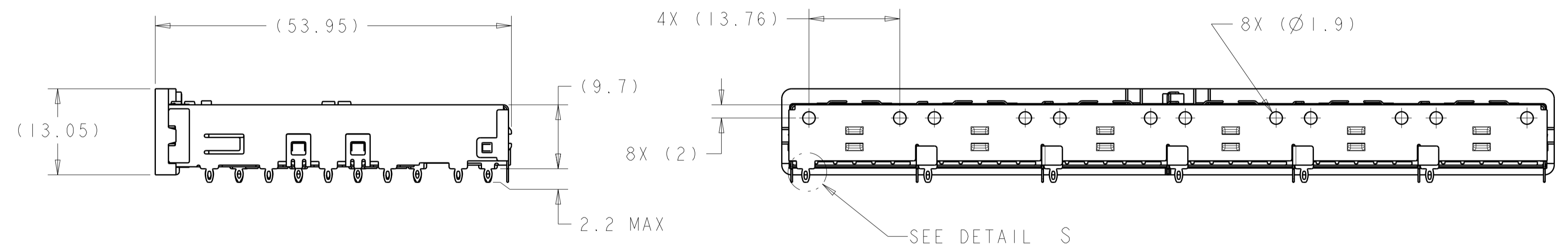
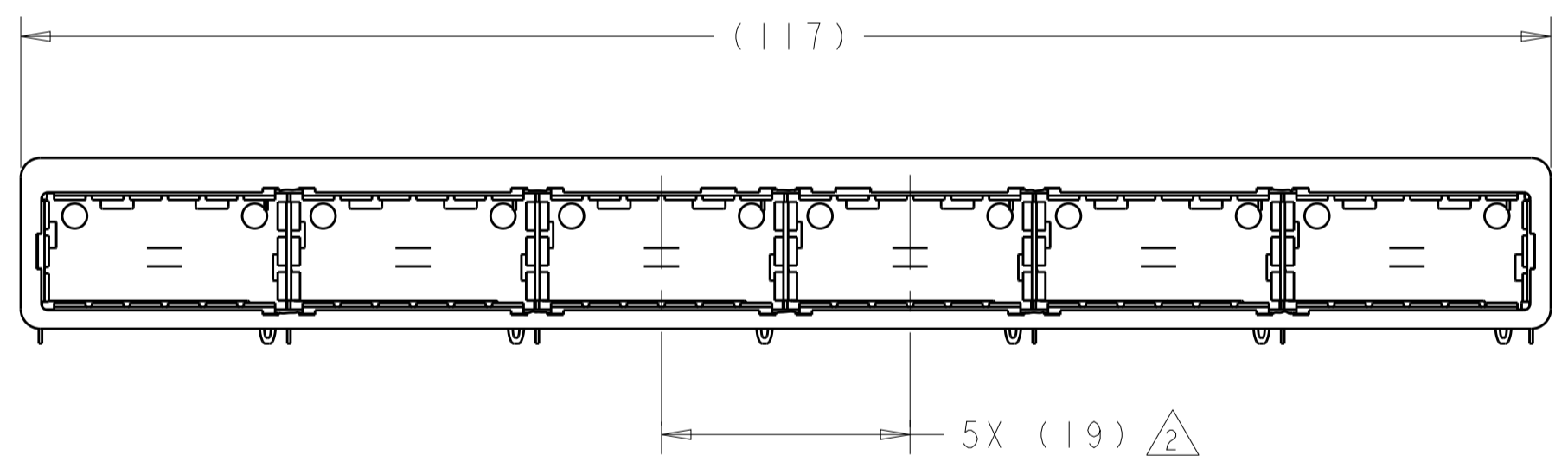


LOC	DIST	REVISIONS					
GP	00	P	LTH	DESCRIPTION	DATE	DWN	APVD
		1		ORIGINAL	25MAY2010	CJV	JRP
		2		PRELIMINARY	20APR2011	AL	CW
		3		REVISED PER ECO-12-003841	MAR142012	TY	KS
		4		REVISED PER ECO-15-000148	10APR2015	RG	MC

- 1 SURFACE TRACES PERMITTED WITHIN THIS AREA EXCEPT WHERE CAGE STANDOFFS, SHOWN IN DETAIL S, CONTACT PC BOARD.
- 2 PITCH BETWEEN PORTS OF ONE 1X6 CAGE.
- 3 SPACING BETWEEN CAGES ON THE SAME PC BOARD. TO BE SPECIFIED BY CUSTOMER, MUST COMPLY WITH MINIMUM DIMENSIONS SHOWN.
- 4 REFERENCE APPLICATION SPEC 114-13218 FOR RECOMMENDED DRILL HOLE DIAMETER AND PLATING THICKNESS.
- 5 UNPLATED THRU HOLE.
- 6 DATUM AND BASIC DIMENSION ESTABLISHED BY CUSTOMER.
- 7 DATUM A IS TOP SURFACE OF THE HOST BOARD.
- 8 DIMENSION C IS THE NOMINAL THICKNESS OF CUSTOMER SUPPLIED PC BOARD. MINIMUM PC BOARD THICKNESS:
 SINGLE SIDED: 1.45mm
 DOUBLE SIDED: 2.2mm PER QSFP
- 9. MATES WITH QSFP MSA COMPATIBLE TRANSCEIVER.
- 10 BASELINE FOR THE DIMENSION IS CENTER OF COMPLIANT PIN HOLE.
- 11 LED ON HOST BOARD. QUANTITY, POSITION, AND GEOMETRY DEPENDS ON CHOICE OF LIGHT PIPES.
- 12 2D BARCODE AND DATE CODE (YYWW) MARKED APPROXIMATELY AS SHOWN.
- 13 REFERENCE APP SPEC 114-13218 FOR GASKET THICKNESS CALCULATION.
- 14 MATERIAL:
 CAGE ASSEMBLY: NICKEL SILVER, 0.25 THICK
 EMI SPRINGS: COPPER ALLOY
 FRONT FLANGE: ZINC ALLOY.
- 15 FINISH:
 EMI SPRINGS: 2µm MINIMUM TIN
 FRONT FLANGE: 3µm MINIMUM TIN OVER 1.27µm MINIMUM NICKEL OVER 5.08µm MINIMUM COPPER.



EMI SPRINGS CAGE ASSEMBLY



DETAIL S
 SCALE 20:1

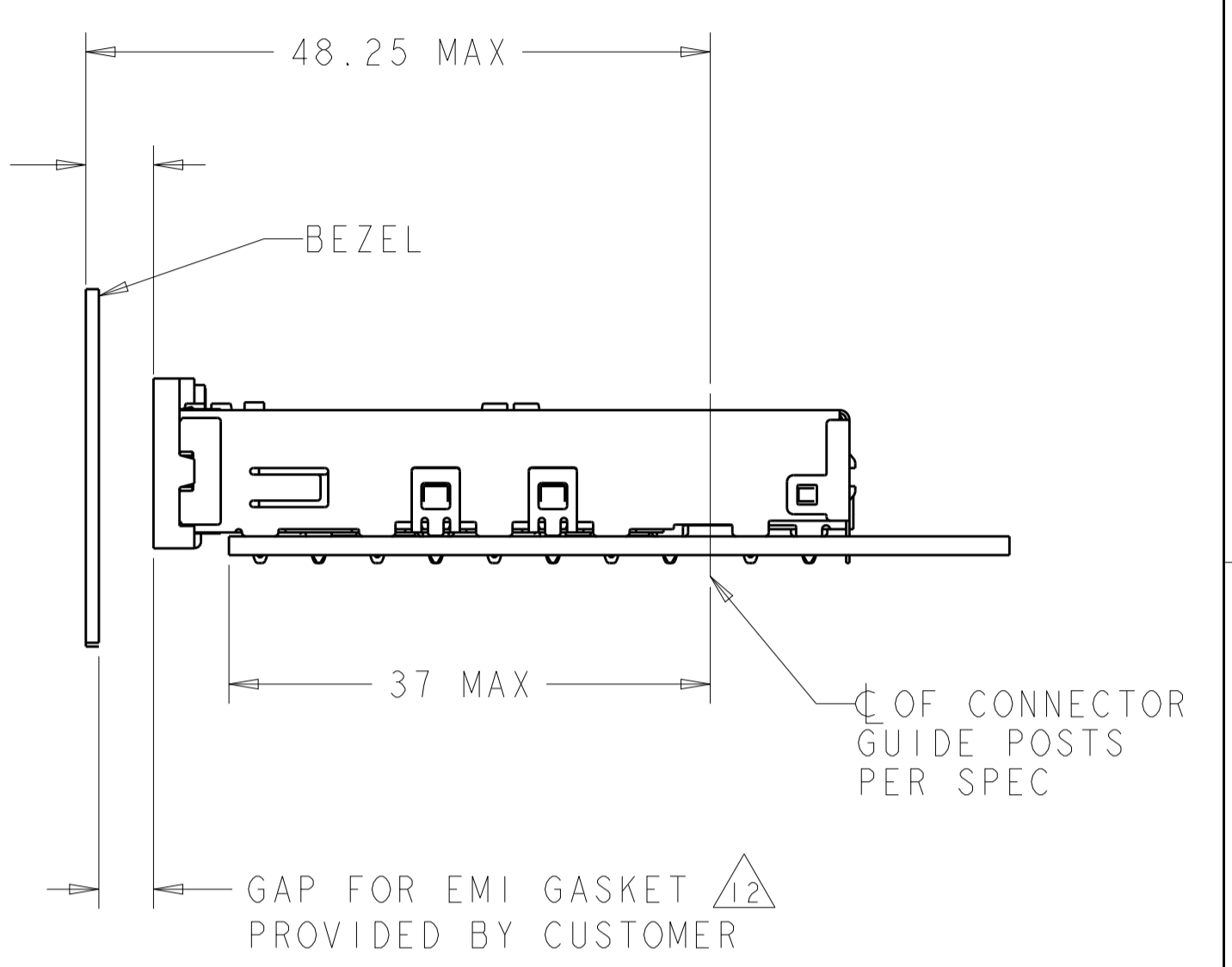
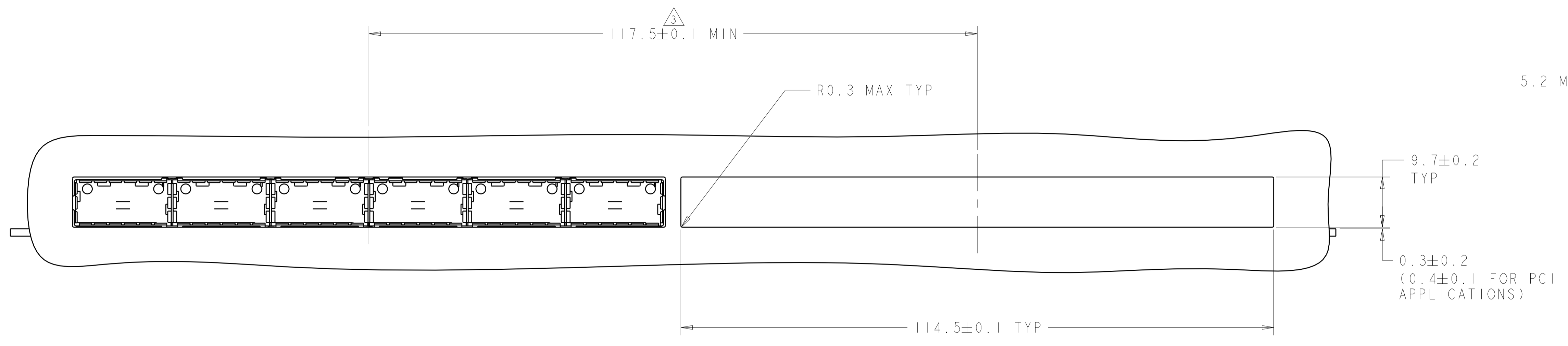
DESIGN APPROVED THIS PRINT IS
PRELIMINARY
 TO FIRST PIECE APPROVAL
 CONTACT PRODUCT ENGINEERING
 BEFORE USING THIS PRINT

2143329-1
 PART
 NUMBER

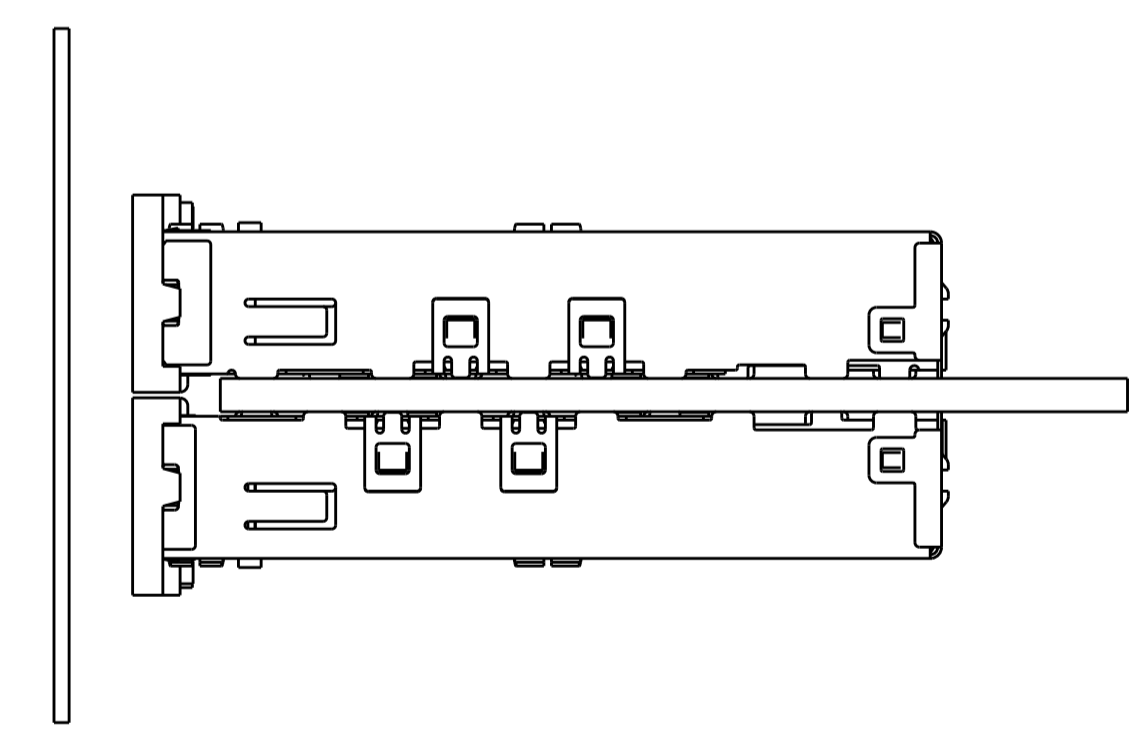
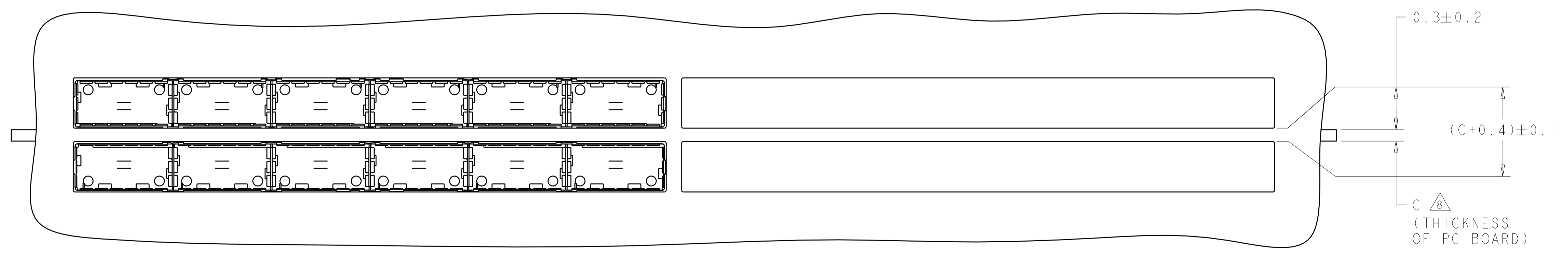
THIS DRAWING IS A CONTROLLED DOCUMENT.		DWN C. VALENTINE 25MAY2010	TE Connectivity
DIMENSIONS:		CHK E. BRIGHT 25MAY2010	
mm	TOLERANCES UNLESS OTHERWISE SPECIFIED:	APVD E. BRIGHT 25MAY2010	NAME 1X6 CAGE ASSEMBLY, BEHIND BEZEL, QSFP
0 PLC	±	PRODUCT SPEC	SIZE CAGE CODE DRAWING NO
1 PLC	±0.1	108-2286	RESTRICTED TO
2 PLC	±0.1	APPLICATION SPEC	A100779C=2143329
3 PLC	±0.013	114-13218	SCALE 2:1 SHEET 1 OF 4 REV 4
4 PLC	±0.0001	WEIGHT	
ANGLES	±	Customer Drawing	
MATERIAL	FINISH		
13	14		

LOC	DIST	REV	DATE	BY	APPD
GP	00				

REVISIONS					
REV	DATE	DESCRIPTION	BY	APPD	DATE
-	-	SEE SHEET 1	-	-	-



ONE SIDED CONFIGURATION
 SCALE 2:1



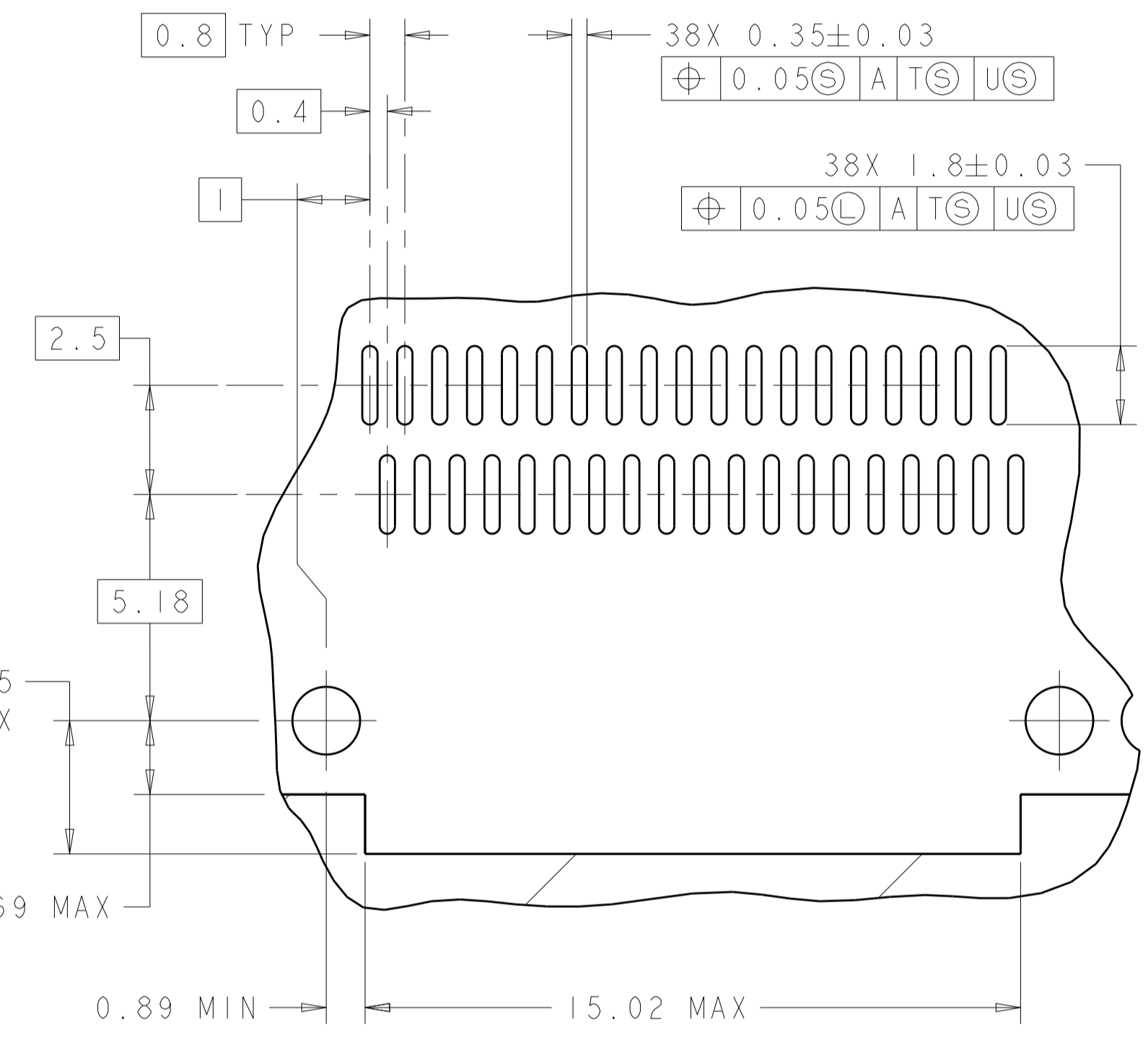
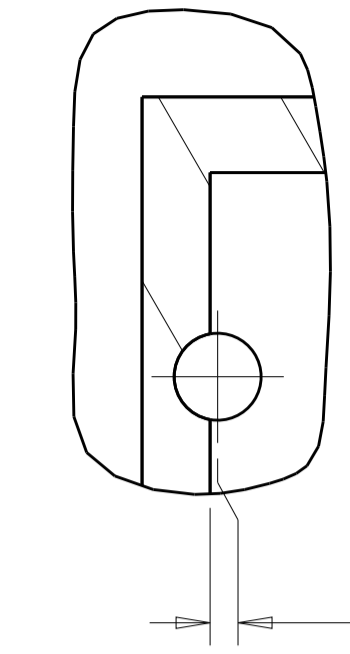
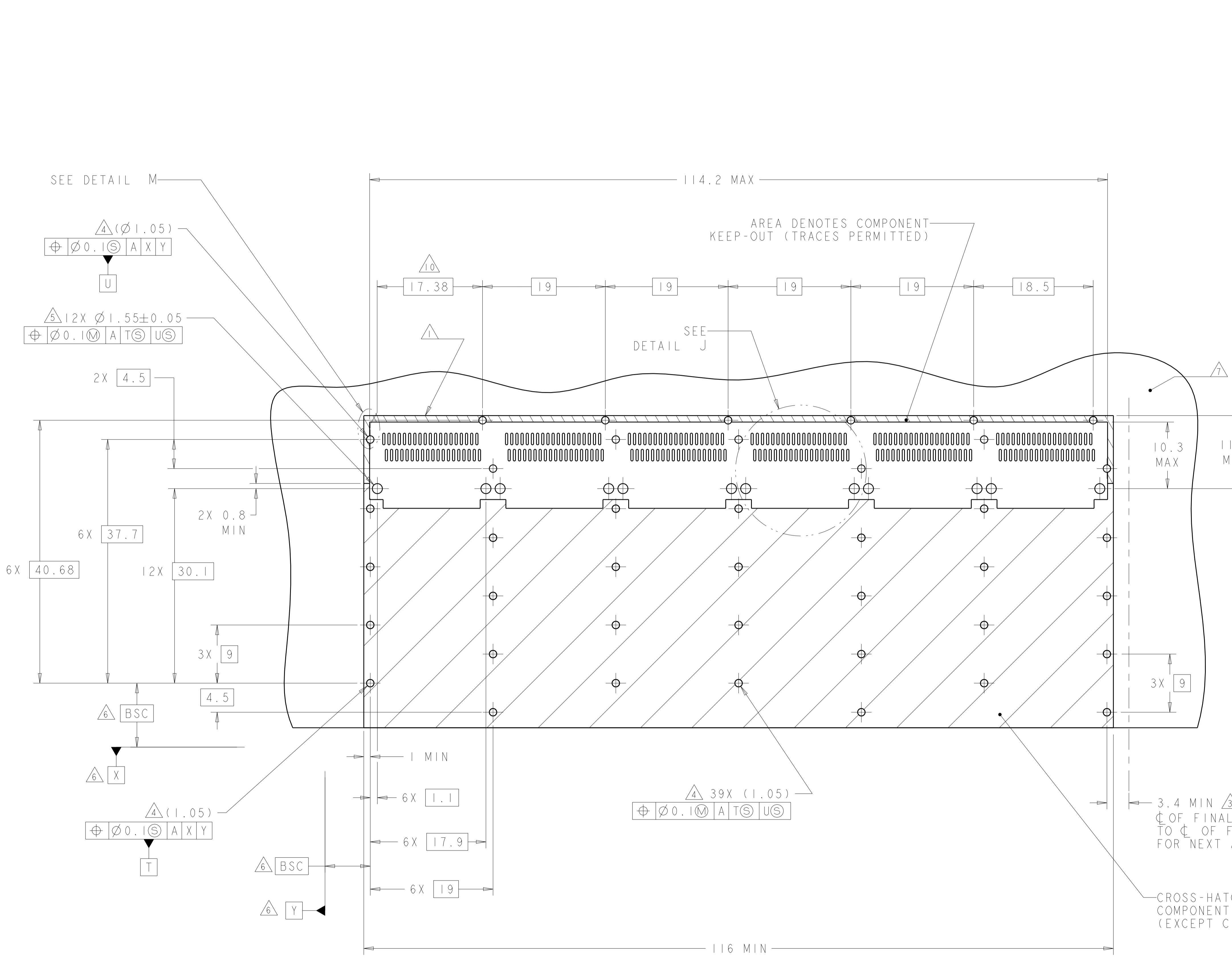
BELLY TO BELLY CONFIGURATION SIMILAR
 TO ONE SIDED EXCEPT WHERE NOTED
 SCALE 2:1

DESIGN APPROVED THIS PRINT IS
PRELIMINARY
 TO FIRST PIECE APPROVAL
 CONTACT PRODUCT ENGINEERING
 BEFORE USING THIS PRINT

THIS DRAWING IS A CONTROLLED DOCUMENT.		OWN C. VALENTINE 25MAY2010	TE Connectivity	
DIMENSIONS:		CHK E. BRIGHT 25MAY2010	NAME 1X6 CAGE ASSEMBLY, BEHIND BEZEL, QSFP	
mm	TOLERANCES UNLESS OTHERWISE SPECIFIED:	APVD E. BRIGHT 25MAY2010	PRODUCT SPEC	
	0 PLC ±		108-2286	
	2 PLC ±0.1		APPLICATION SPEC	
	3 PLC ±0.013		114-13218	
	4 PLC ±0.0001		WEIGHT	
	ANGLES ±		Customer Drawing	
MATERIAL	FINISH		SIZE A100779	SCALE 2:1
			CAGE CODE C=2143329	SHEET 2 OF 4
			RESTRICTED TO	REV 4

LOC	DIST	REV	DATE	BY	APPD
GP	00				

REVISIONS			
REV	DATE	BY	APPD
-	-	-	-
-	-	-	-



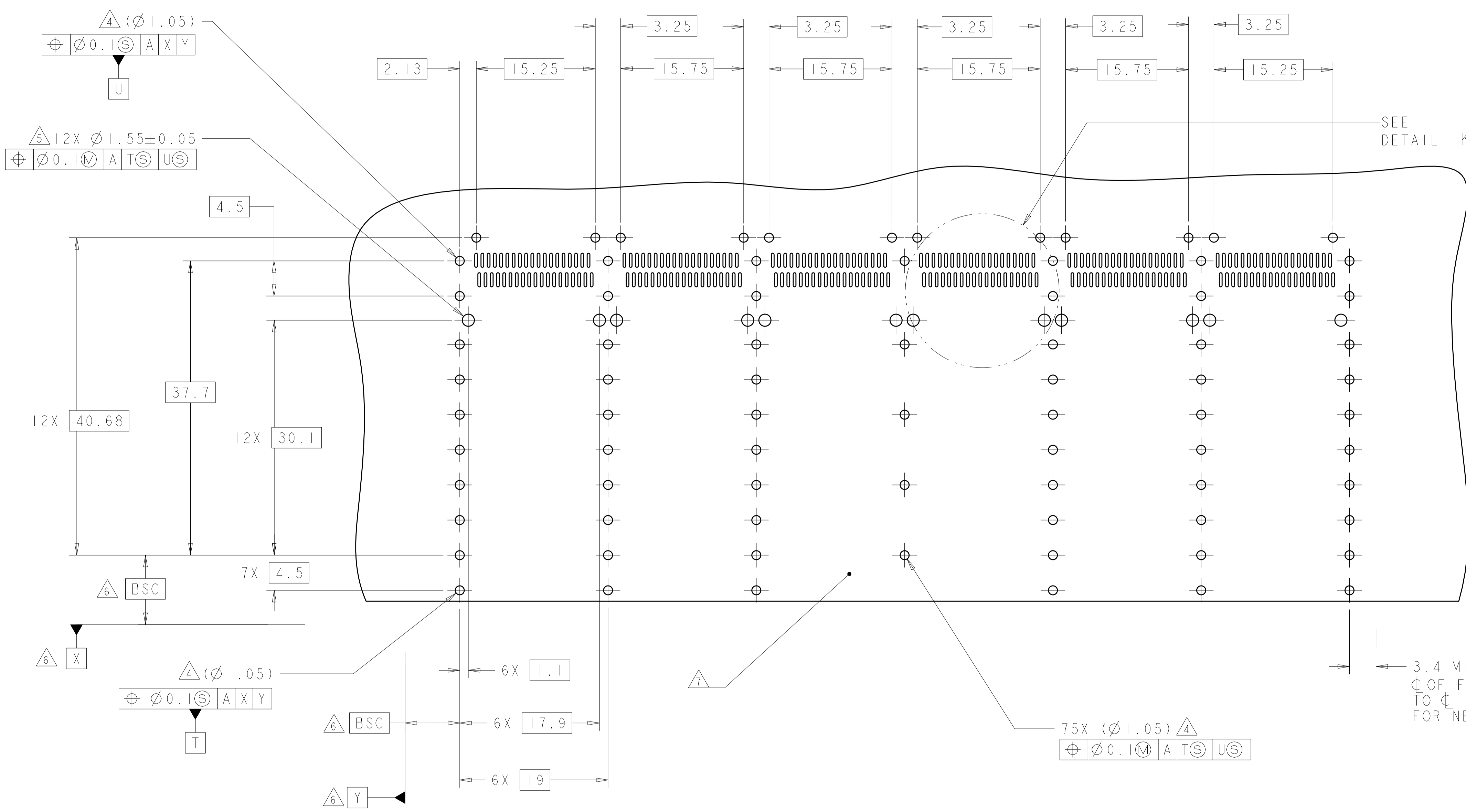
RECOMMENDED PC BOARD LAYOUT
 SINGLE SIDE MOUNT CONFIGURATION
 SCALE 3:1

CROSS-HATCHED AREA DENOTES COMPONENT AND TRACE KEEP-OUT (EXCEPT CHASSIS GROUND)

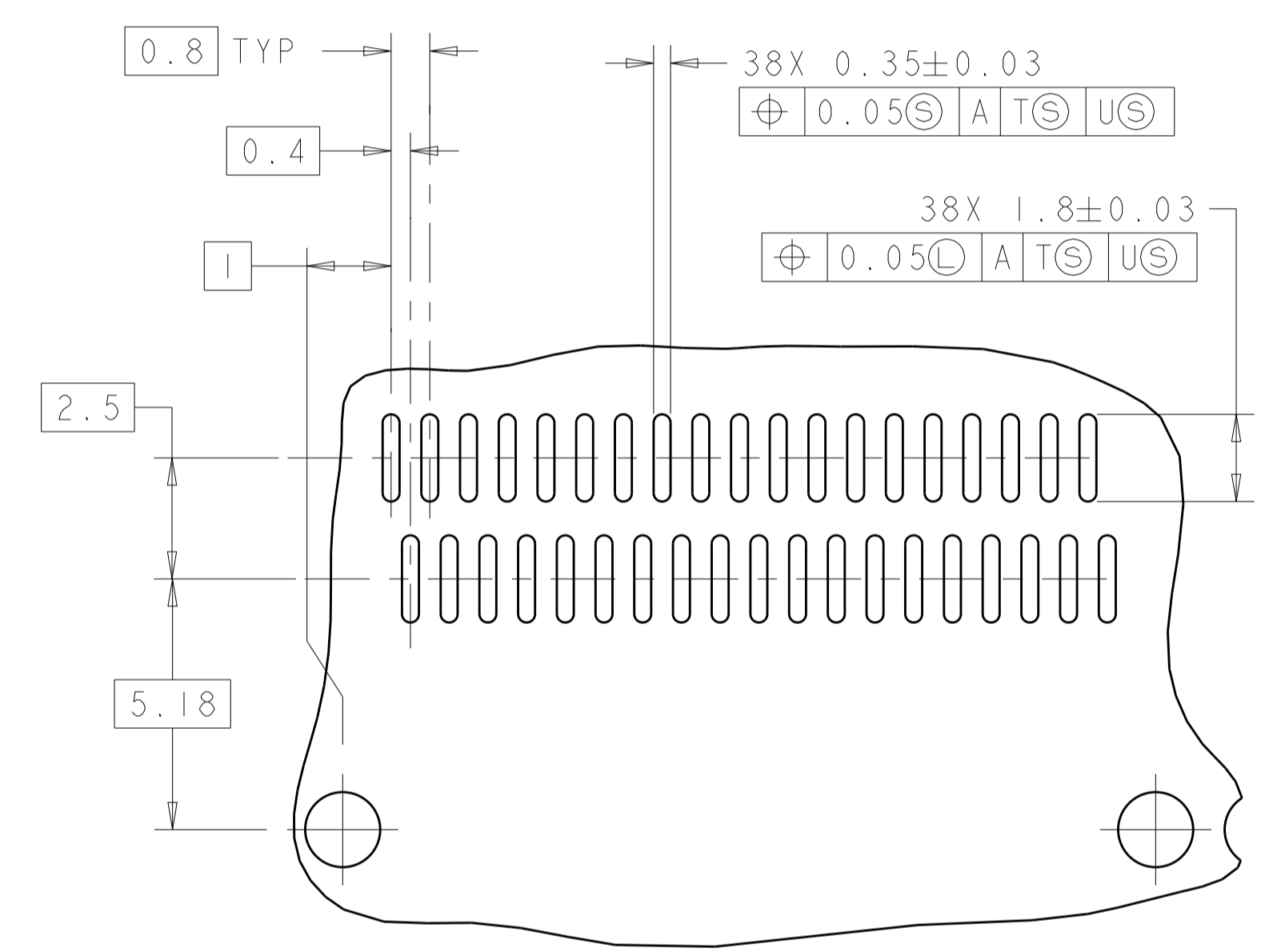
DESIGN APPROVED THIS PRINT IS
PRELIMINARY
 TO FIRST PIECE APPROVAL
 CONTACT PRODUCT ENGINEERING
 BEFORE USING THIS PRINT

THIS DRAWING IS A CONTROLLED DOCUMENT.		DWN C. VALENTINE 25MAY2010	TE Connectivity
DIMENSIONS: mm		CHK E. BRIGHT 25MAY2010	
TOLERANCES UNLESS OTHERWISE SPECIFIED:		APVD E. BRIGHT 25MAY2010	NAME 1X6 CAGE ASSEMBLY, BEHIND BEZEL, QSFP
0 PLC ±0.1	1 PLC ±0.1	PRODUCT SPEC	SIZE CAGE CODE DRAWING NO
2 PLC ±0.1	3 PLC ±0.013	APPLICATION SPEC	RESTRICTED TO
4 PLC ±0.0001	ANGLES ±0.0001	114-13218	A100779C=2143329
MATERIAL	FINISH	WEIGHT	SCALE 2:1 SHEET 3 OF 4 REV 4
Customer Drawing			

LOC	DIST	REVISIONS			
P	LTN	DESCRIPTION	DATE	DWN	APVD
-	-	SEE SHEET 1	-	-	-



SEE
DETAIL K



DETAIL K
6 PLACES
SCALE 8:1

RECOMMENDED PC BOARD LAYOUT
 BELLY TO BELLY CONFIGURATION
 SEE SHEET 3 FOR COMPONENT AND TRACE KEEP-OUTS
 SCALE 3:1

DESIGN APPROVED THIS PRINT IS
PRELIMINARY
 TO FIRST PIECE APPROVAL
 CONTACT PRODUCT ENGINEERING
 BEFORE USING THIS PRINT

THIS DRAWING IS A CONTROLLED DOCUMENT.		DWN C. VALENTINE 25MAY2010	TE Connectivity
DIMENSIONS: mm		CHK E. BRIGHT 25MAY2010	
TOLERANCES UNLESS OTHERWISE SPECIFIED: 0 PLC \pm 1 PLC ± 0.1 2 PLC ± 0.1 3 PLC ± 0.013 4 PLC ± 0.0001 ANGLES \pm		APVD E. BRIGHT 25MAY2010	NAME 1X6 CAGE ASSEMBLY, BEHIND BEZEL, QSFP
MATERIAL		PRODUCT SPEC 108-2286	SIZE A100779
FINISH		APPLICATION SPEC 114-13218	DRAWING NO C=2143329
Customer Drawing		RESTRICTED TO	SCALE 2:1 SHEET 4 OF 4 REV 4

单击下面可查看定价，库存，交付和生命周期等信息

[>>TE Connectivity\(泰科\)](#)