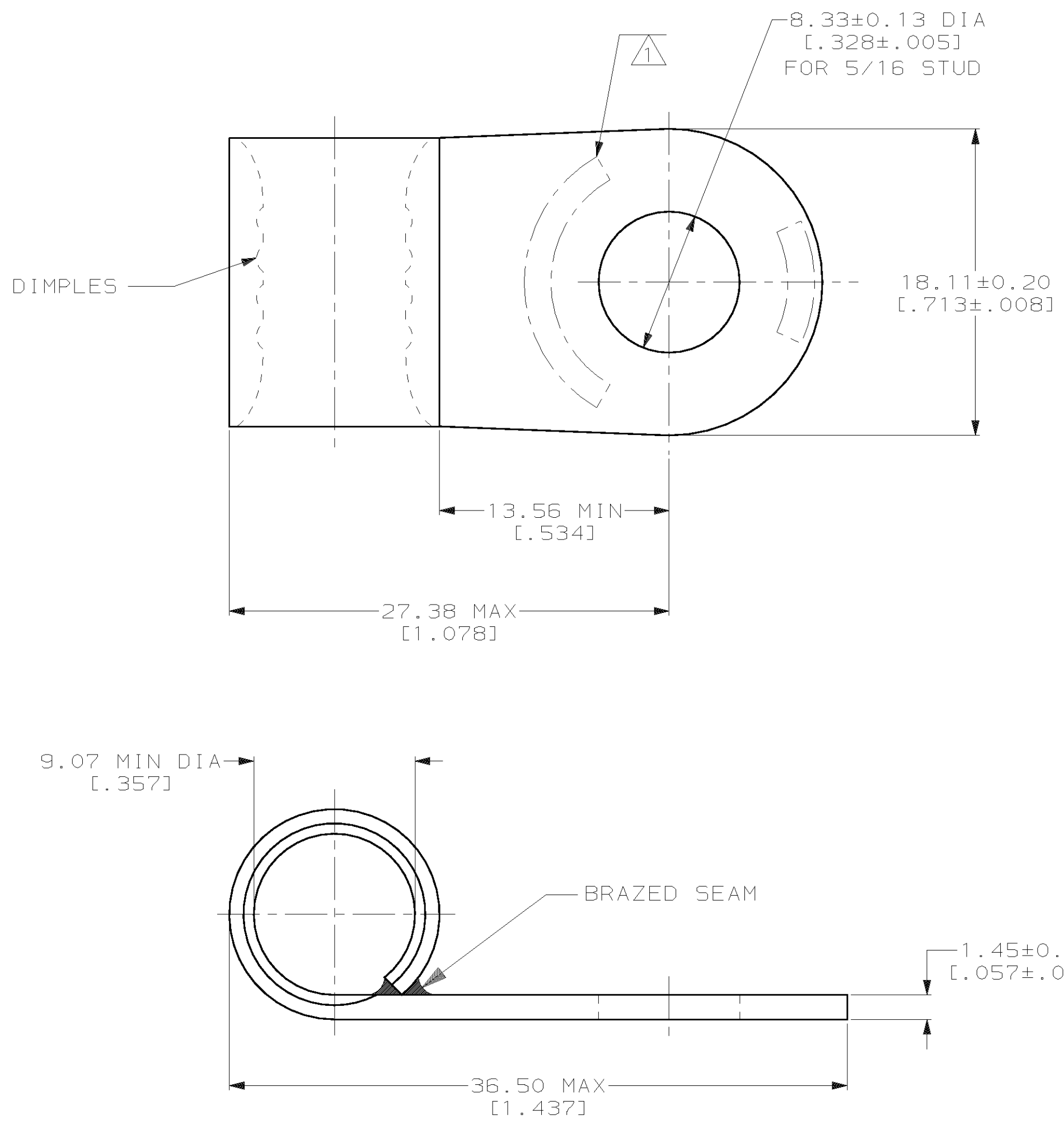


THIS DRAWING IS UNPUBLISHED. RELEASED FOR PUBLICATION ,19 .
 © COPYRIGHT 19 BY AMP INCORPORATED. ALL INTERNATIONAL RIGHTS RESERVED.

LOC	DIST	P	F	ZONE	LTR	DESCRIPTION	DATE	APPD
G	14					C REVISED PER 0L20-0220-97	02OCT97	MJS



AMP WIRE RANGE	UL E13288 Listed
2 AWG SOLID OR STRANDED	2 AWG STRANDED
SP LR7189 Certified	MILITARY P/N AND CLASS
2 AWG SOLID OR STRANDED	NOT APPLICABLE

1 STAMP AMP 2W* 60-75 APPROX AS SHOWN

AMP INCORPORATED CUSTOMER SERVICE SYSTEMS		MAX RECOMMENDED OPERATING TEMPERATURE: 170°C MAX	DO NOT SCALE PRINT. UNLESS SPECIFIED DIMENSIONS IN mm [INCHES] TOLERANCES ON: 2 PLC DEC ± - 3 PLC DEC ± - ANGLES ± -	DR 4-8-93 TA BRINKMAN CHK 4-8-93 DA PATTERSON APPD 4-8-93 DE MILLER APPD 4-8-93 JL MECKLEY PRODUCT SPEC - APPLICATION SPEC -	AMP AMP Incorporated Harrisburg, PA 17105-3608 NAME TERMINAL, RING TONGUE, FLAG, SOLISTRAND™		
FOR ADDITIONAL PRODUCT INFORMATION OR COPIES OF DRAWINGS AND TECHNICAL DOCUMENTS	PRODUCT INFORMATION CENTER 1-800-522-6752	VOLTAGE RATING: NOT APPLICABLE	MATERIAL COPPER PER ASTM B-152 ANNEALED	FINISH TIN PLATE 0.00254 [0.000100] MIN THK PER ASTM B-545	SIZE C 00779	CAGE CODE 00779	DRAWING NO C=321064
FOR APPLICATION TOOLING INFORMATION	TOOLING ASSISTANCE CENTER 1-800-722-1111	WIRE CROSS SECTIONAL AREA RANGE: 26.7-42.4mm² [52,600-83,700] CIR MILS SOLID OR STRANDED	THIS DRAWING IS A CONTROLLED DOCUMENT FOR AMP INCORPORATED. IT IS SUBJECT TO CHANGE AND THE CONTROLLING ENGINEERING ORGANIZATION SHOULD BE CONTACTED FOR THE LATEST REVISION.		WEIGHT -	SCALE 4:1	SHEET 1 OF 1
FOR ORDER ENTRY	1-800-526-5142	AMP 1471-6 REV 3-92 Downloaded From Onyac.com www.onyac.com/amp123/u.solistrand/u.flag					

单击下面可查看定价，库存，交付和生命周期等信息

[>>TE Connectivity\(泰科\)](#)