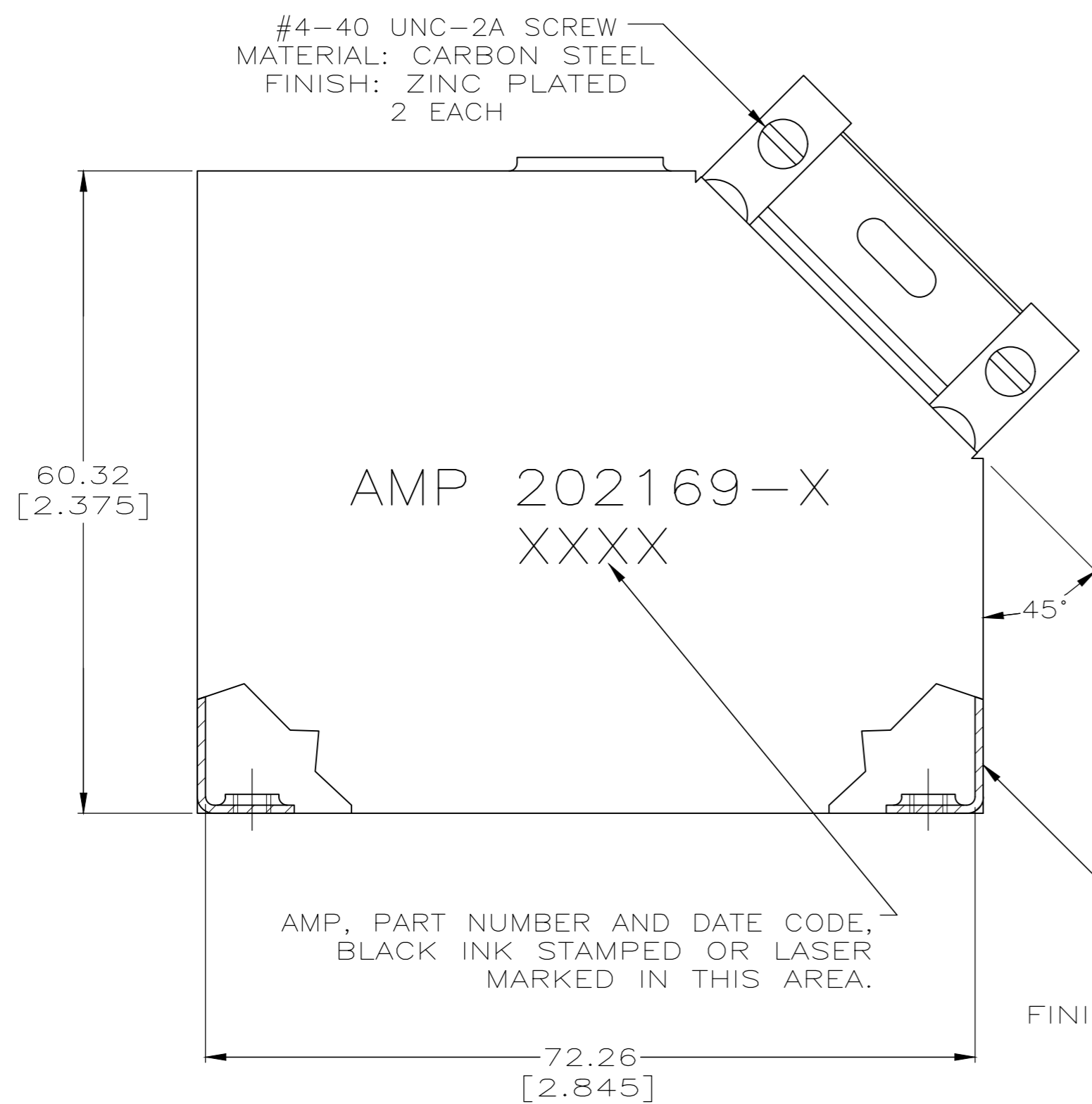


THIS DRAWING IS UNPUBLISHED. RELEASED FOR PUBLICATION  
 © COPYRIGHT - L ALL RIGHTS RESERVED.

REVISIONS				
P	LTR	DESCRIPTION	DATE	APVD
L		REVISED PER ECO-18-007013	21MAY2018	KH MZ



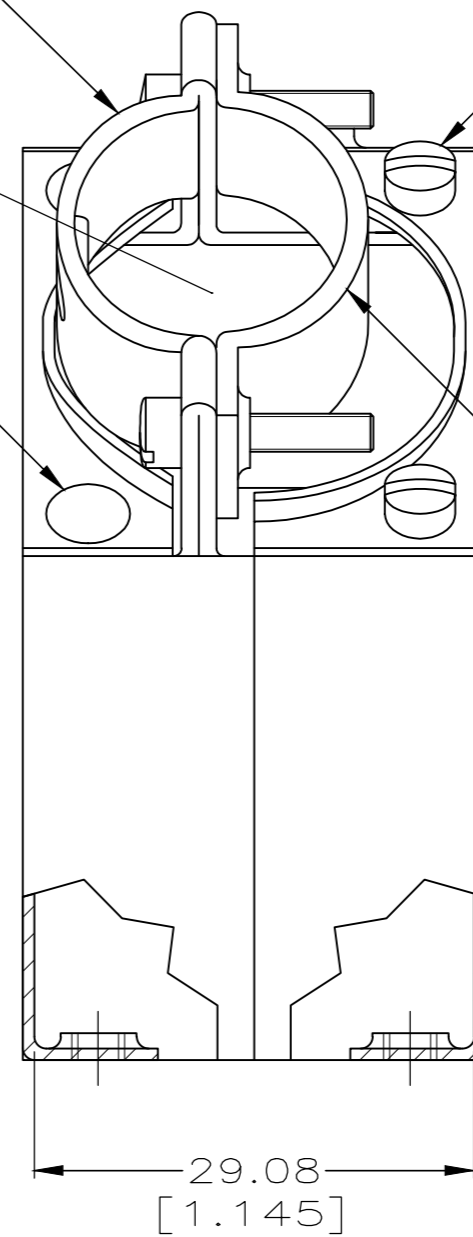
FIXED CABLE CLAMP  
 MATERIAL: STAINLESS STEEL  
 1 EACH

RIVET  
 MATERIAL: STEEL  
 FINISH: NICKEL PLATED  
 2 EACH

SHIELDS  
 MATERIAL: CARBON STEEL  
 FINISH: 5.08um [.000200] MIN NICKEL  
 2 EACH

#4-40 UNC-2A SCREW  
 MATERIAL: CARBON STEEL  
 FINISH:  $\triangle 2$   $\triangle 3$   
 2 EACH

CABLE CLAMP  
 MATERIAL: CARBON STEEL  
 FINISH: 5.08um [.000200] MIN NICKEL  
 1 EACH



$\triangle 3$	202169-4
$\triangle 2$	202169-1
SCREW FINISH	PART NUMBER

- $\triangle 1$  ACCOMMODATES 22.86-25.40[.900-1.000] DIAMETER CABLE.
- $\triangle 2$  FINISH: ZINC WITH HEXAVALENT CHROMATE.
- $\triangle 3$  FINISH: ZINC WITH NON-HEXAVALENT CHROMATE.

THIS DRAWING IS A CONTROLLED DOCUMENT.		DWN D.HARDY 10-25-94	TE Connectivity Ltd.	
DIMENSIONS: mm [INCHES]		CHK R.STONE 10-27-94	NAME SHIELD KIT, UNASSEMBLED, 104 POSITION, M SERIES	
TOLERANCES UNLESS OTHERWISE SPECIFIED: 0 PLC ± - 1 PLC ± - 2 PLC ± 0.38 [.015] 3 PLC ± - 4 PLC ± - ANGLES ± -		APVD -	PRODUCT SPEC -	APPLICATION SPEC -
MATERIAL SEE CALLOUTS	FINISH SEE CALLOUTS	WEIGHT 0	SIZE A2	CAGE CODE 00779
CUSTOMER DRAWING		SCALE 2:1	DRAWING NO C=202169	RESTRICTED TO -
		SHEET 1 of 1	REV L	

单击下面可查看定价，库存，交付和生命周期等信息

[>>TE Connectivity\(泰科\)](#)