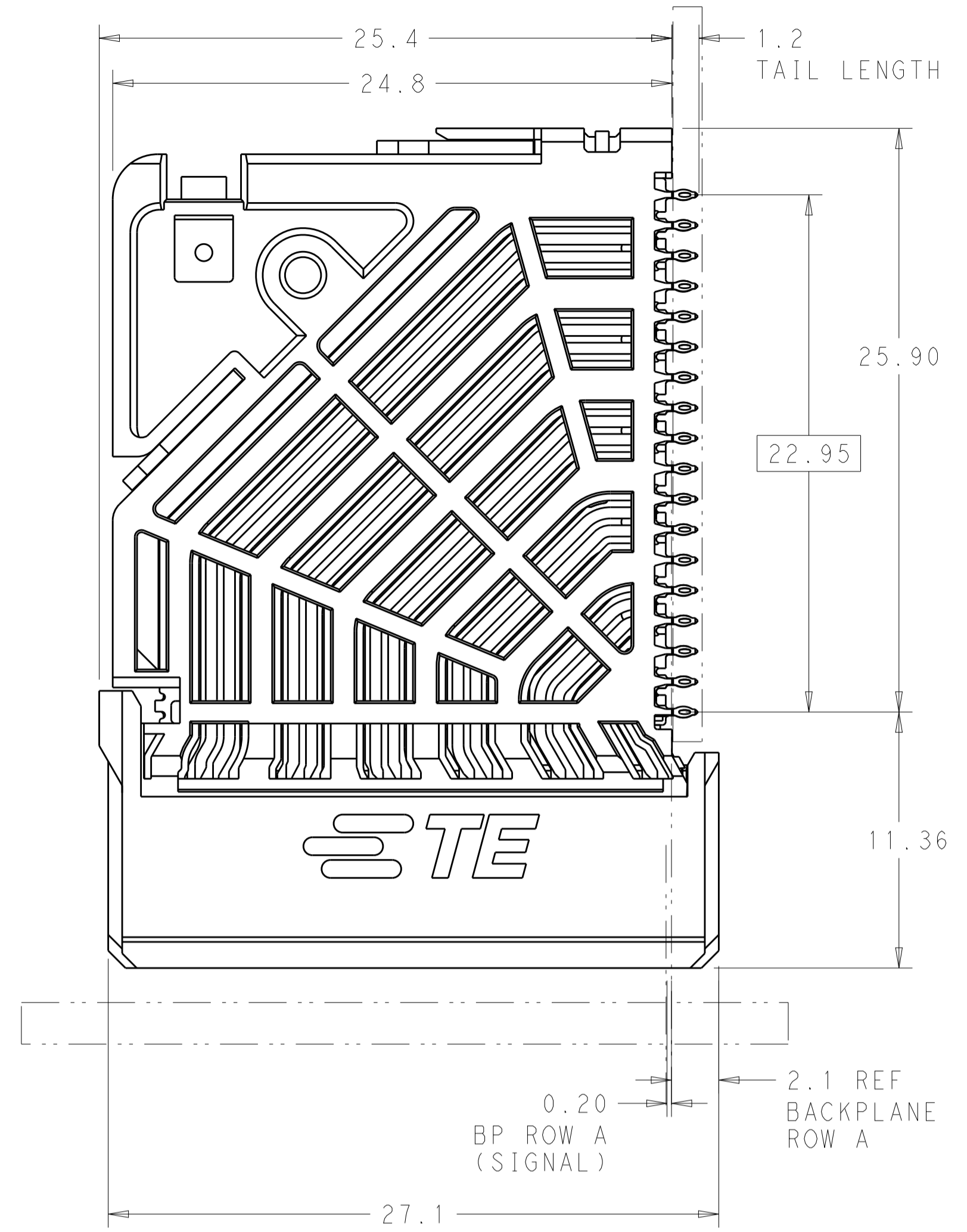
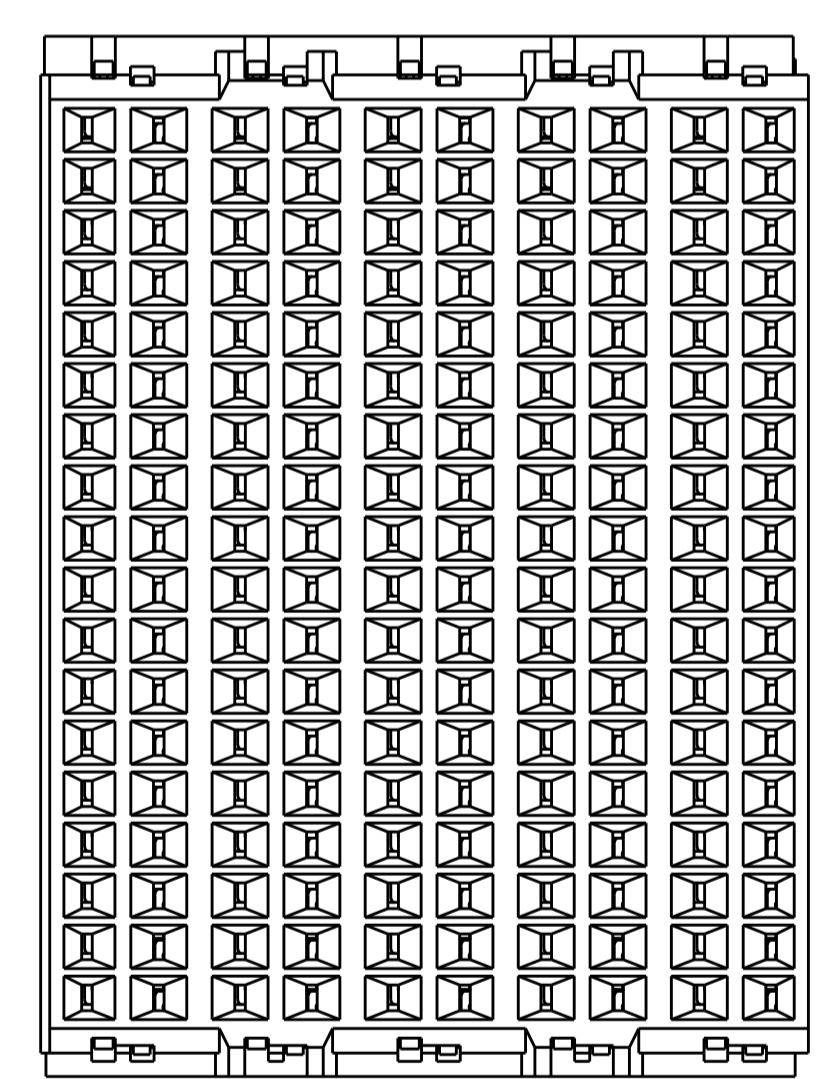
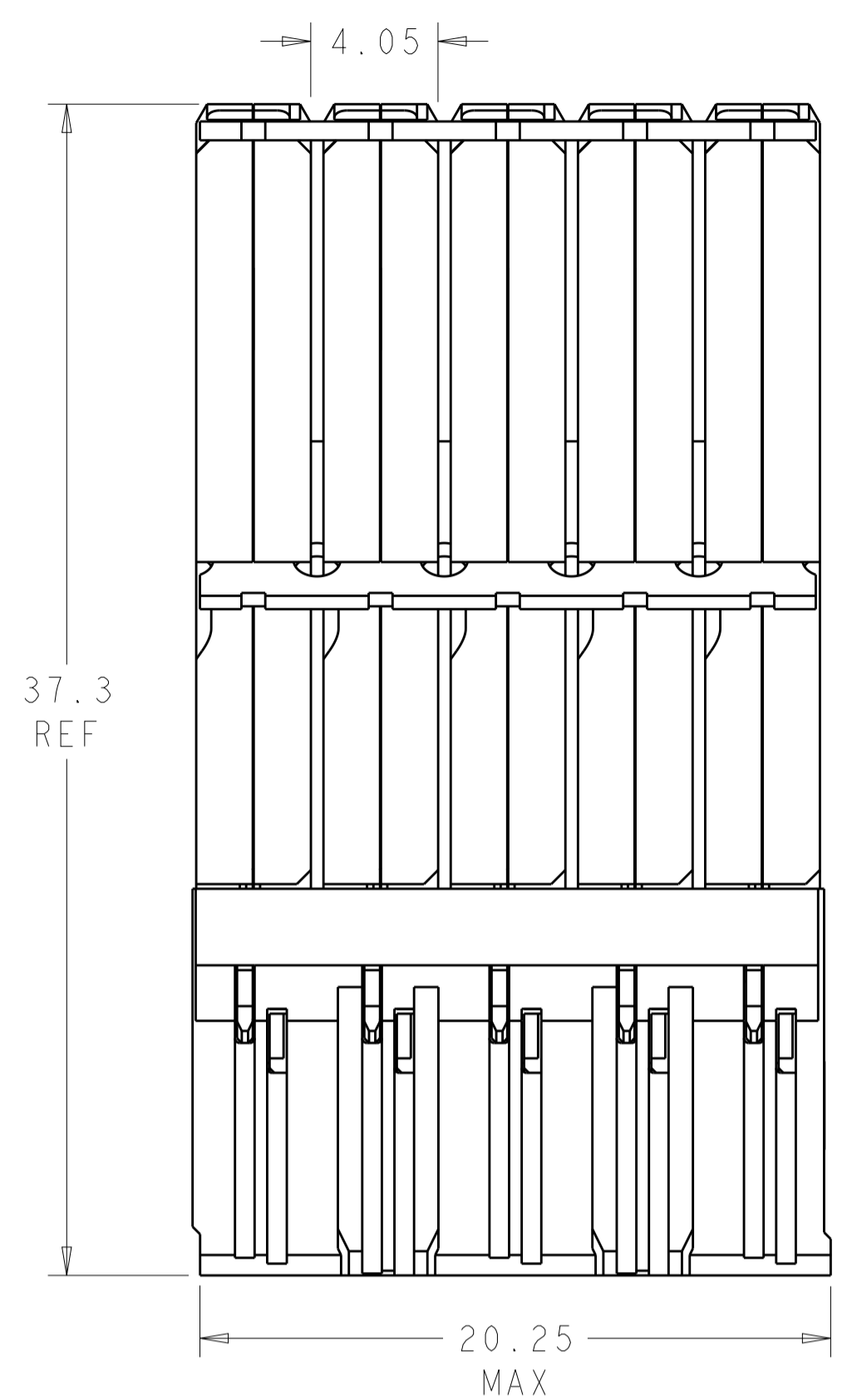
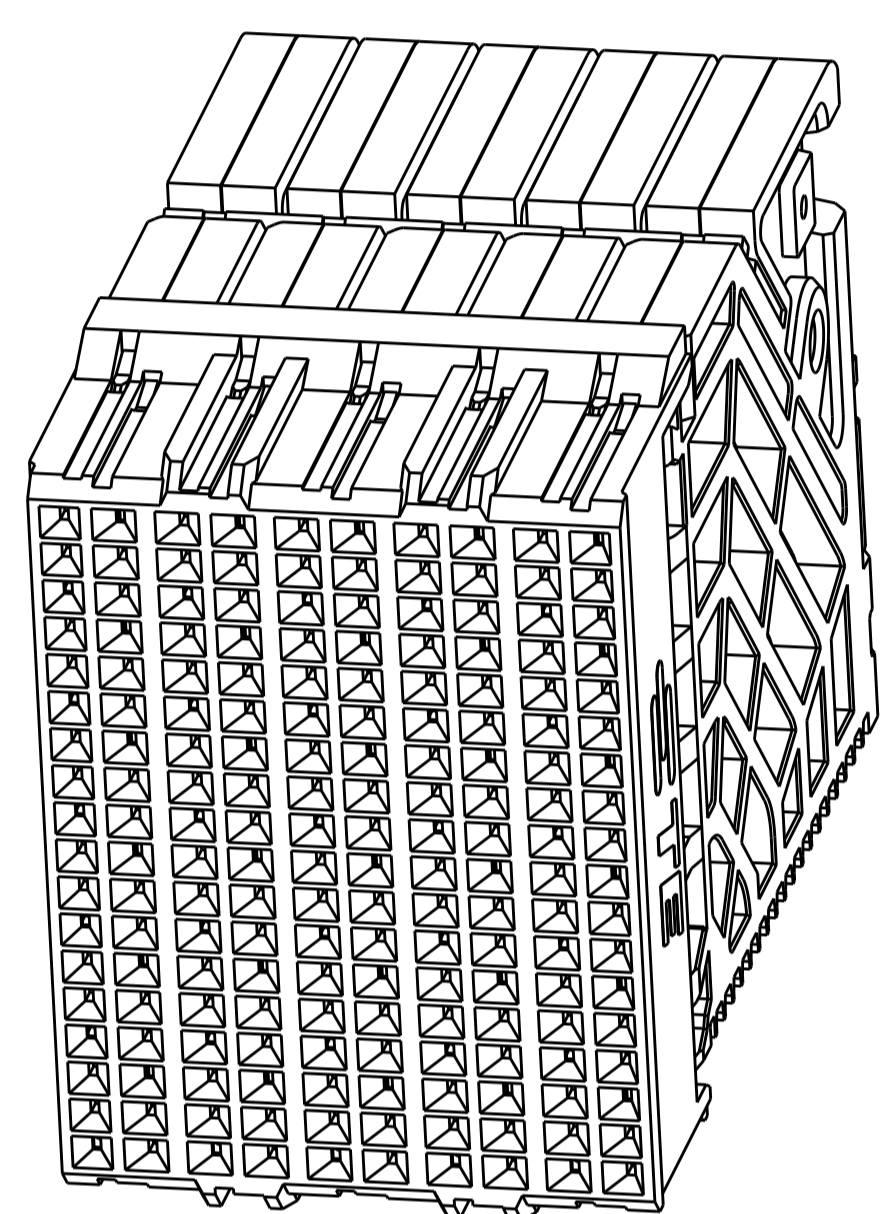


LOC	DIST	REVISIONS			
AD	00	REV	DATE	BY	APPV
		D	REVISED PER ECO-15-012351	03SEP2015	AP SY



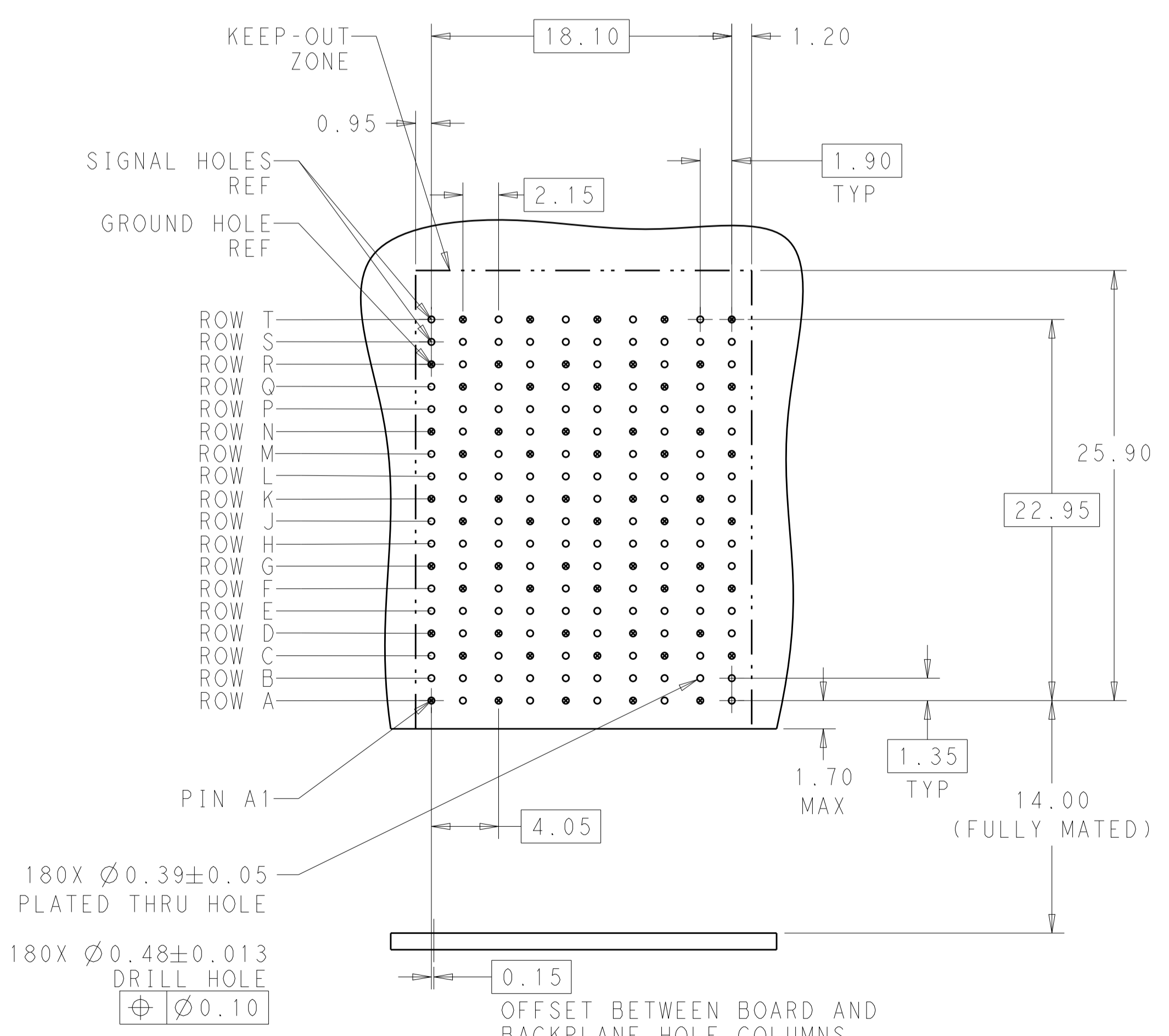
⚠ MATERIAL:
HOUSING: LCP, GLASS FILLED, UL94V-0.
TERMINALS: HIGH PERFORMANCE COPPER ALLOY.

⚠ FINISH:
30μ" SELECTIVE GOLD IN CONTACT AREA. SELECTIVE TIN ON PCB TAILS, NICKEL OVERALL.



SCALE 4:1

REFER TO WWW.TE.COM FOR PRODUCT AVAILABILITY



180X $\varnothing 0.39 \pm 0.05$ PLATED THRU HOLE

180X $\varnothing 0.48 \pm 0.013$ DRILL HOLE

$\varnothing \varnothing 0.10$

RECOMMENDED PCB LAYOUT
MIN BOARD THICKNESS 1.0

NONE	⚠	2132720-1
KEY POSITION	FINISH	PART NUMBER

THIS DRAWING IS A CONTROLLED DOCUMENT.		DWN: 11MAY2011	TE Connectivity	
DIMENSIONS: mm		CHK: D. DIXON 11MAY2011	NAME: IMPACT, ORTHOGONAL, 6 PAIR, DAUGHTERCARD, 10 COLUMN, NO GUIDE, SIGNAL MODULE, 0.39 EYELET	
TOLERANCES UNLESS OTHERWISE SPECIFIED:		APVD: D. DIXON 11MAY2011	PRODUCT SPEC	
0 PLC ±		APPLICATION SPEC		
1 PLC ±0.25		SIZE: CAGE CODE DRAWING NO: A100779C=2132720		
2 PLC ±0.15		RESTRICTED TO		
3 PLC ±		WEIGHT: -		
4 PLC ±		SCALE: 5:1 SHEET 1 OF 1 REV D		
ANGLES ±		Customer Drawing		
FINISH: SEE TABLE				

单击下面可查看定价，库存，交付和生命周期等信息

[>>TE Connectivity\(泰科\)](#)